

North America: Danboro, PA • E-mail: info@pemnet.com • Tel: +1-215-766-8853

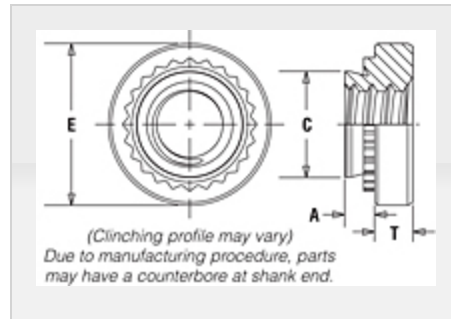
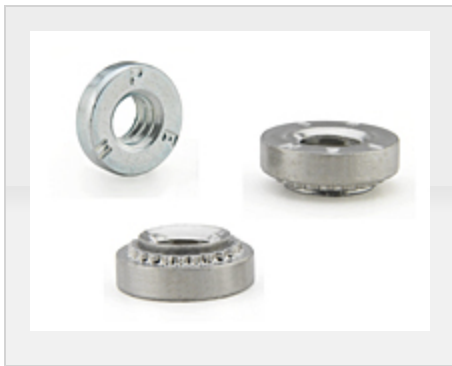
Europe: Galway, Ireland • E-mail: europe@pemnet.com • Tel: +353-91-751714

Asia/Pacific: Singapore • E-mail: singapore@pemnet.com • Tel: +65-6-745-0660
Shanghai, China • E-mail: china@pemnet.com • Tel: +86-21-5868-3688

Part # SP-M8-2, Self-Clinching Nuts - Types S, SS, CLS, CLSS, SP - Metric

Type SP, PEM 300® nuts provide strong load-bearing threads in stainless steel sheets as thin as .030".

Type SP is recommended for use in stainless steel sheets HRB (Rockwell "B" scale) 90 or less and HB (Hardness Brinell) 185 or less.



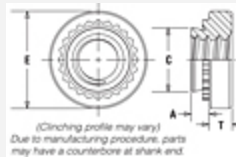
Specifications

Thread Size x Pitch M8 x 1.25

Thread Code M8

Shank Code 2

A (Shank) Max. 2.21 mm



Rec. Min. Sheet Thickness⁽¹⁾ 2.29 mm

Hole Size in Sheet + 0.08 10.5 mm

C Max. 10.47 mm

E ± 0.25 12.7 mm

T ± 0.25	5.47 mm
Min. Dist. Hole C/L to Edge⁽²⁾	9.7 mm
For Use in Sheet Hardness⁽³⁾	HRB 90 / HB 185 or Less
Thread Specification	Internal, ASME B1.13M, 6H
Fastener Material	Age Hardened A286 Stainless Steel
Standard Finish	Passivated and/or tested per ASTM A380
CAD Supplier	PennEngineering® (PEM®)

¹ For maximum performance, we recommend that you use the maximum shank length for your sheet thickness.

² To minimize sheet distortion and maximize product performance, use a centerline-to-edge value greater or equal to the value specified.

³ HRB - Hardness Rockwell "B" Scale. HB - Hardness Brinell.