



Total Solution Provider in Saw Device

SF-159101-C21

GPS, RF SAW Filter
Revision 0: August 2012



- Electrical Characteristics
 - Package Dimensions
 - Testing Environment
 - Frequency Characteristics
-

SAWNICS Inc.

460 Cheonheung-ri, Seonggeo-eup, Cheonan-si, Chungcheongnam-do, 330-836 / Korea.
Tel: +82 41 550 9372 / Fax: +82 41 550 9399 / www.sawnics.com



Electrical Characteristics

Maximum Ratings

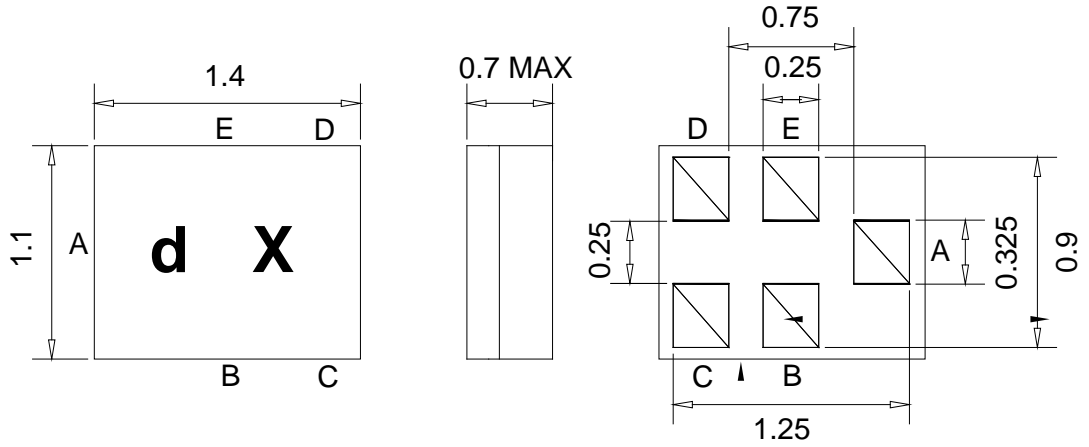
Parameters Description	Unit	Minimum	Typical	Maximum
Operating Temperature Range	°C	-40	-	+85
Storage Temperature Range	°C	-40	-	+85
Maximum DC Voltage	V	-	-	3
Maximum Input Power	dBm	-	-	10
Source Impedance (single ended)	Ω	-	50	-
Load Impedance (single ended)	Ω	-	50	-
Package type & size	C21			
Length x Width	mm ²	-	1.4 x 1.1	-
Height	mm	-	-	0.7

Electrical Specification

Parameters Description	Unit	Minimum	Typical	Maximum
Center Frequency (Fo)	MHz	-	1591.5	-
Insertion Loss within 1574.0 ~ 1609.0 MHz	dB	-	2.4	3.7
Amplitude Ripple within 1574.0 ~ 1609.0 MHz	dB _{p-p}	-	1.3	2.6
Group Delay within 1574.0 ~ 1609.0 MHz	ns _{p-p}	-	17	50
Attenuation: (Reference level from 0dB)				
10.0 ~ 1200.0 MHz	dB	28	34	-
1200.0 ~ 1450.0 MHz	dB	28	34	-
1450.0 ~ 1540.0 MHz	dB	20	37	-
1626.0 ~ 1710.0 MHz	dB	9	31	-
1710.0 ~ 2000.0 MHz	dB	30	37	-
2000.0 ~ 2500.0 MHz	dB	30	37	-
VSWR within 1574.0 ~ 1609.0 MHz		-	2.0	2.4

Notes : (1) No Matching Network (Ref. Testing Environment Circuit as shown below).

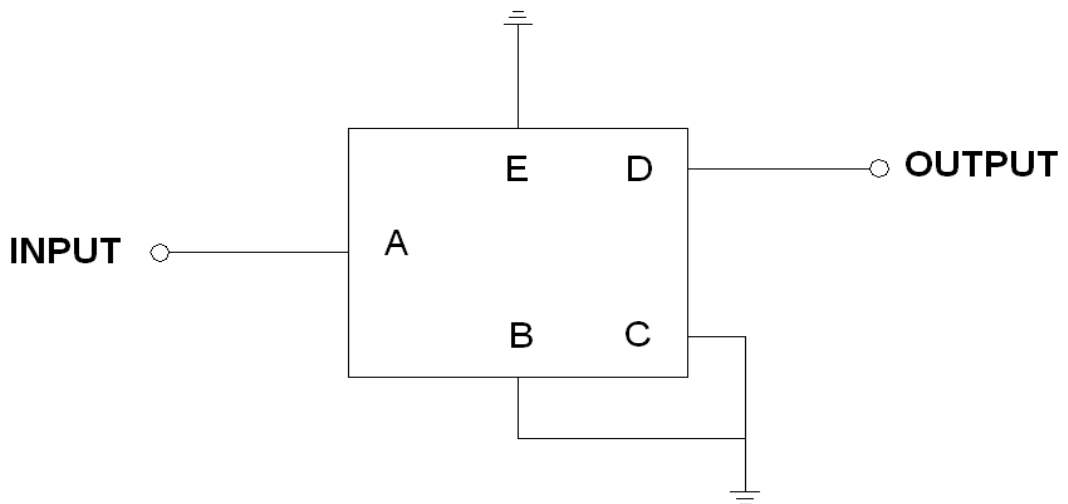
Package Dimensions



Marking Descriptions	
d	Series Number
X	Date Code(Year+Month)

Pin Description	
B, C, E	Ground
A	Input
D	Output

Testing Environment

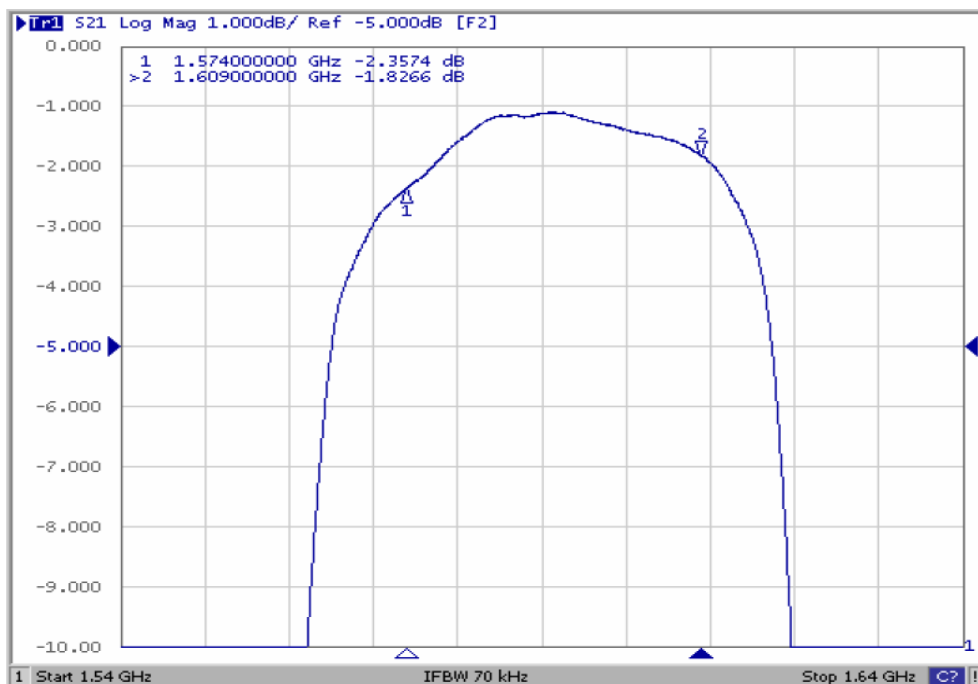
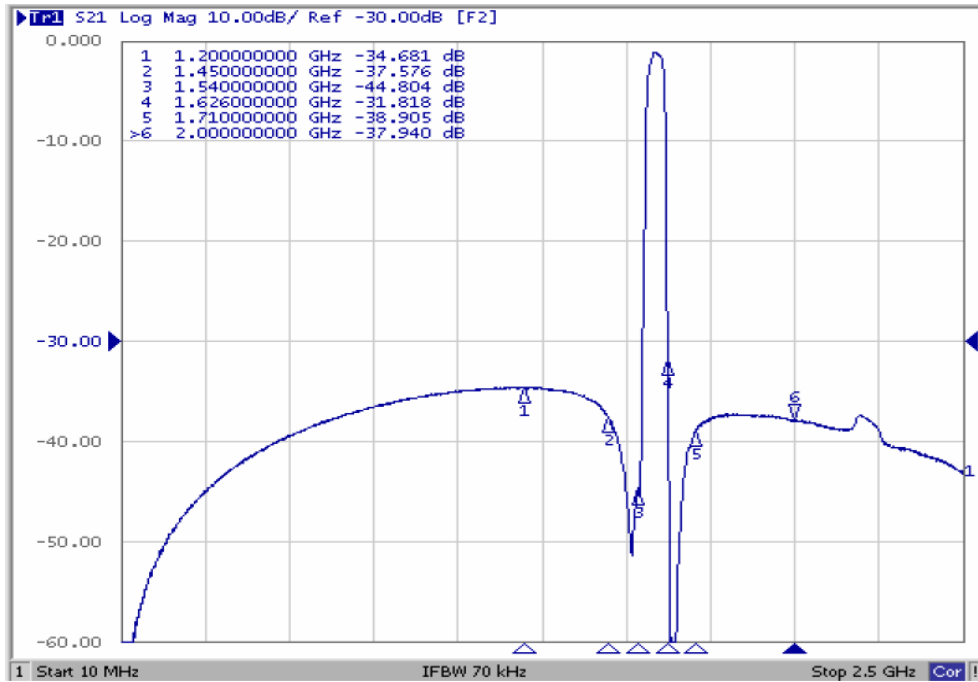


Source Impedance: 50 Ω

Load Impedance: 50 Ω

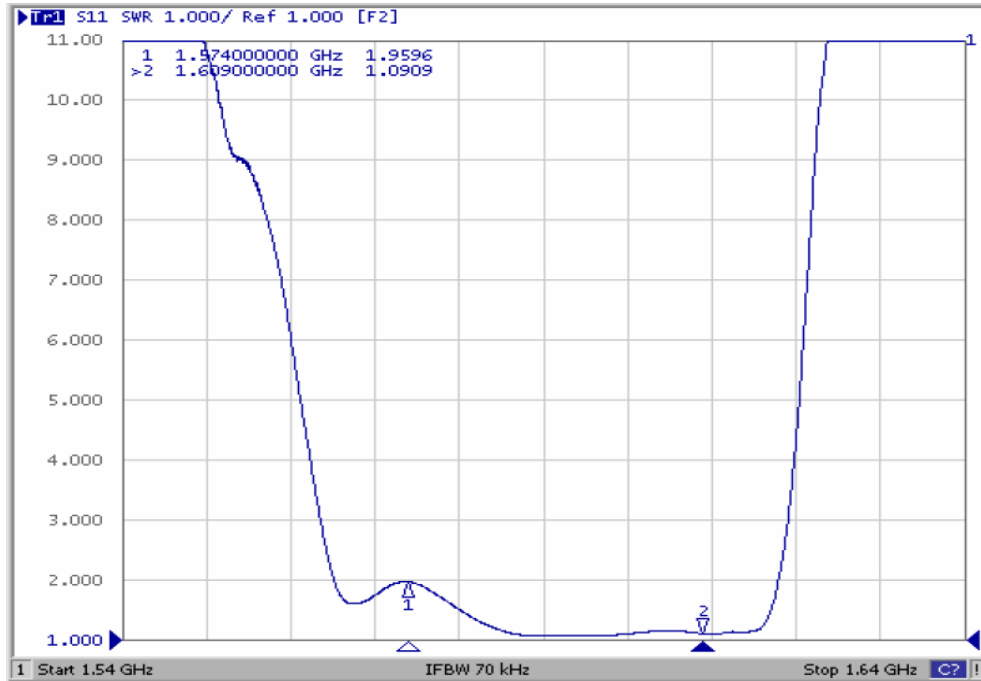
Frequency Characteristics

Frequency Response



VSWR

◆ S11



◆ S22

