

**NEW!**

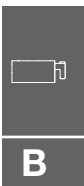
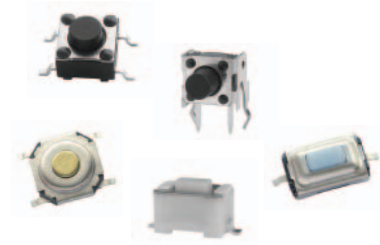
# RS Series Tact Switches

## Features/Benefits

- Broad range of products
- Extra long life cycles available
- Variety of operating forces and heights
- Thru-hole and SMT options
- Custom design available

## Typical Applications

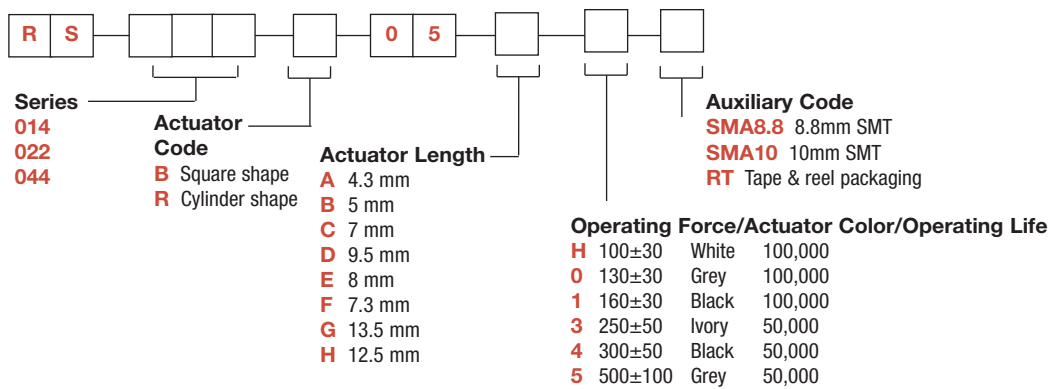
- Consumer electronics
- Computer peripherals
- Household appliances
- Audio & visual equipment
- Automotive



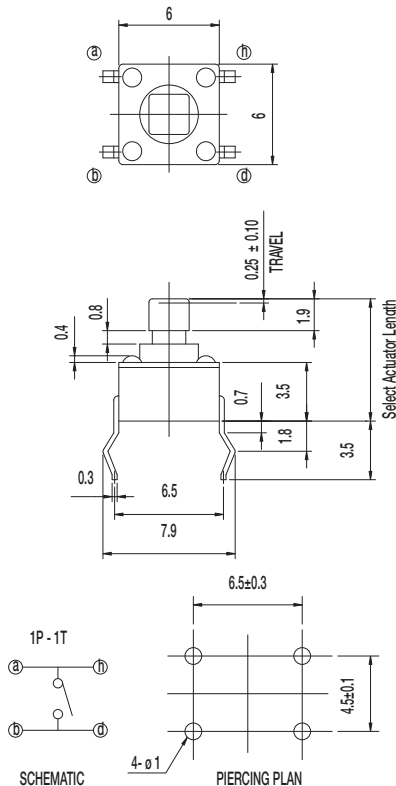
Tactile Switches

## How To Order

Our easy build-a-switch concept allows you to mix and match options to create the switch you need. To order, select desired option from each category and place it in the appropriate box.



## RS-014B05 Square Shape Actuator



## Specifications

- CONTACT RATING: 50mA @ 12 VDC
- INITIAL CONTACT RESISTANCE: 100 m ohms max.
- INSULATION RESISTANCE: 100 M ohms min.
- DIELECTRIC STRENGTH: 250 V AC (50-60 Hz) between open terminals and between the frame and terminal.
- RELEASING FORCE: 20gf min. (0.196N min.)
- TRAVEL: 0.25 ± 0.10 mm
- OPERATING TEMPERATURE: -20°C to 70°C

## Materials

- KNOB: PA
- COVER: SPCC
- HOUSING: PA
- SPRING PLATE: Silver clad
- TERMINAL: Silver plated

**NOTE:** Specifications and materials listed above are for switches with standard options. For information on specific and custom switches, please contact Customer Service.



Dimensions are shown: mm  
Specifications and dimensions subject to change

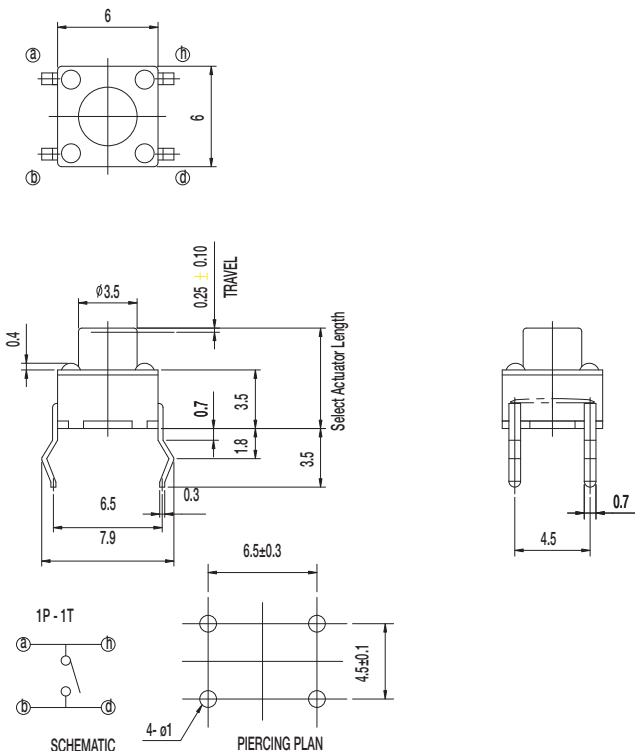
# RS Series Tact Switches

**NEW!**

## RS-014R05 Cylinder Shape Actuator

Tactile Switches

B



### Specifications

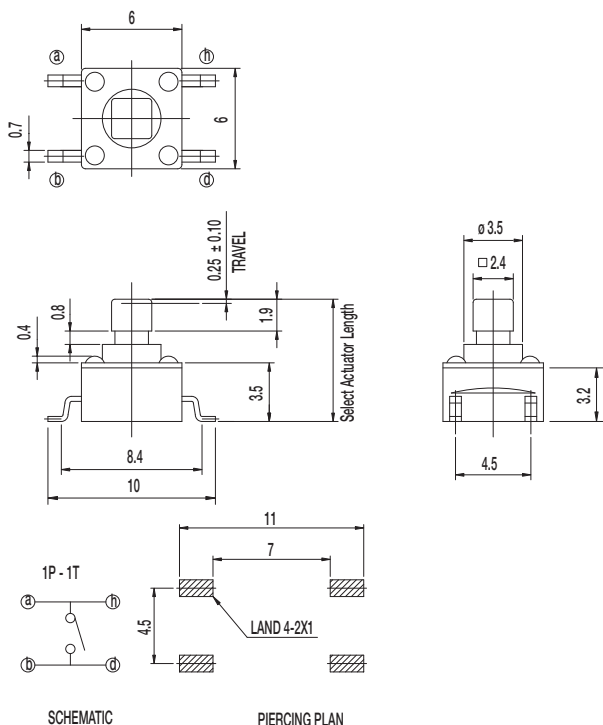
CONTACT RATING: 50mA @ 12 VDC  
 INITIAL CONTACT RESISTANCE: 100 m ohms max.  
 INSULATION RESISTANCE: 100 M ohms min.  
 DIELECTRIC STRENGTH: 250 V AC (50-60 Hz) between open terminals and between the frame and terminal.  
 RELEASING FORCE: 20gf min. (0.196N min.)  
 TRAVEL: 0.25 ± 0.10 mm  
 OPERATING TEMPERATURE: -20°C to 70°C

### Materials

KNOB: PA  
 COVER: SPCC  
 HOUSING: PA  
 SPRING PLATE: Silver clad  
 TERMINAL: Silver plated

**NOTE:** Specifications and materials listed above are for switches with standard options. For information on specific and custom switches, please contact Customer Service.

## RS-014B05 SMA Square Shape Actuator SMT



### Specifications

CONTACT RATING: 50mA @ 12 VDC  
 INITIAL CONTACT RESISTANCE: 100 m ohms max.  
 INSULATION RESISTANCE: 100 M ohms min.  
 DIELECTRIC STRENGTH: 250 V AC (50-60 Hz) between open terminals and between the frame and terminal.  
 RELEASING FORCE: 20gf min. (0.2N min.)  
 TRAVEL: 0.25 ± 0.10 mm  
 OPERATING TEMPERATURE: -20°C to 70°C

### Materials

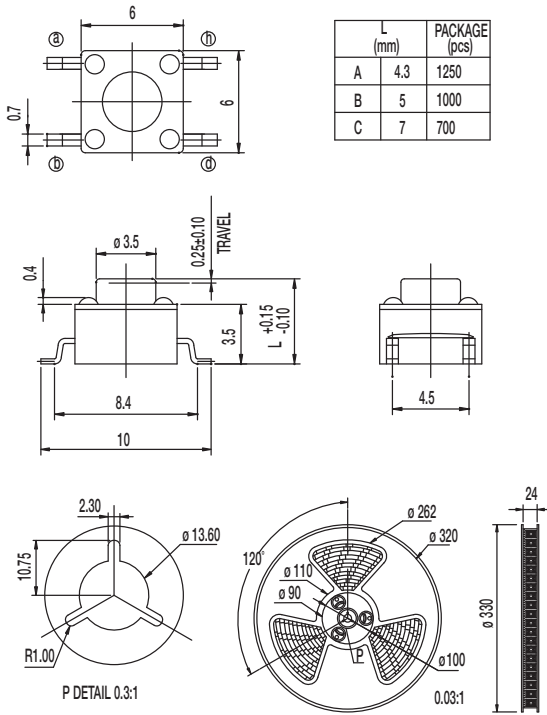
KNOB: PA  
 COVER: SPTE  
 HOUSING: PA  
 SPRING PLATE: Silver clad  
 TERMINAL: Silver plated

**NOTE:** Specifications and materials listed above are for switches with standard options. For information on specific and custom switches, please contact Customer Service.

**NEW!**

# RS Series Tact Switches

## RS-014R05 SMA RT Cylinder Shape Acuator SMT



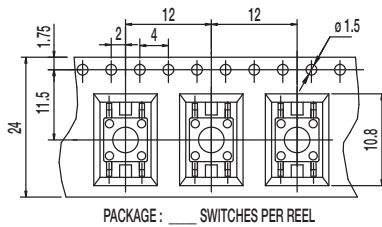
### Specifications

CONTACT RATING: 50mA @ 12 VDC  
INITIAL CONTACT RESISTANCE: 100 m ohms max.  
INSULATION RESISTANCE: 100 M ohms min.  
DIELECTRIC STRENGTH: 250 V AC (50-60 Hz) between open terminals and between the frame and terminal.  
OPERATING LIFE: 100,000 cycles with load  
OPERATING FORCE: 160 ± 30 gf  
RELEASING FORCE: 20gf min. (0.196N min.)  
TRAVEL: 0.25 ± 0.10 mm  
OPERATING TEMPERATURE: -20°C to 70°C

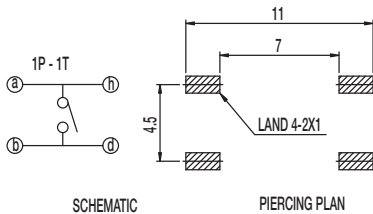
### Materials

KNOB: PA  
COVER: SPTE  
HOUSING: PA  
SPRING PLATE: Silver clad  
TERMINAL: Silver plated

**NOTE:** Specifications and materials listed above are for switches with standard options. For information on specific and custom switches, please contact Customer Service.



PACKAGE: \_\_\_ SWITCHES PER REEL



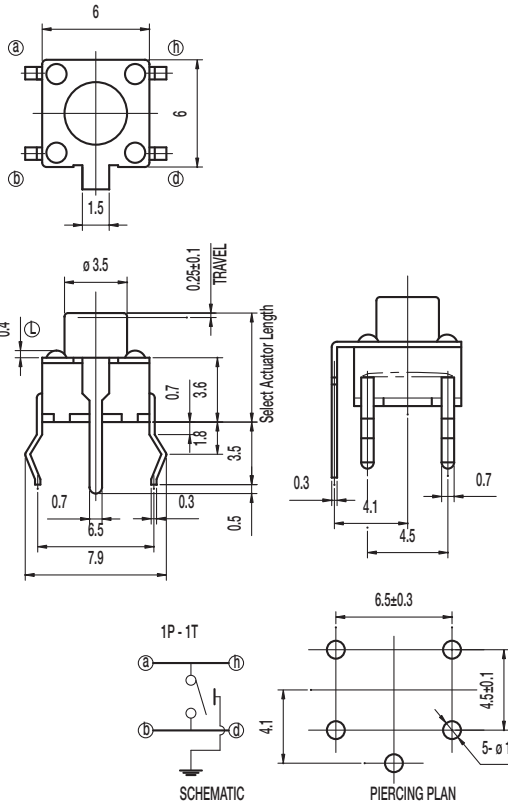
SCHEMATIC

PIERCING PLAN

# RS Series Tact Switches

**NEW!**

## RS-044R05 Cylinder Shape Actuator THT



### Specifications

CONTACT RATING: 50mA @ 12 VDC  
 INITIAL CONTACT RESISTANCE: 100 m ohms max.  
 INSULATION RESISTANCE: 100 M ohms min.  
 DIELECTRIC STRENGTH: 250 V AC (50-60 Hz) between open terminals and between the frame and terminal.  
 RELEASING FORCE: 20gf min. (0.2N min.)  
 TRAVEL:  $0.25 \pm 0.10$  mm  
 OPERATING TEMPERATURE: -20°C to 70°C

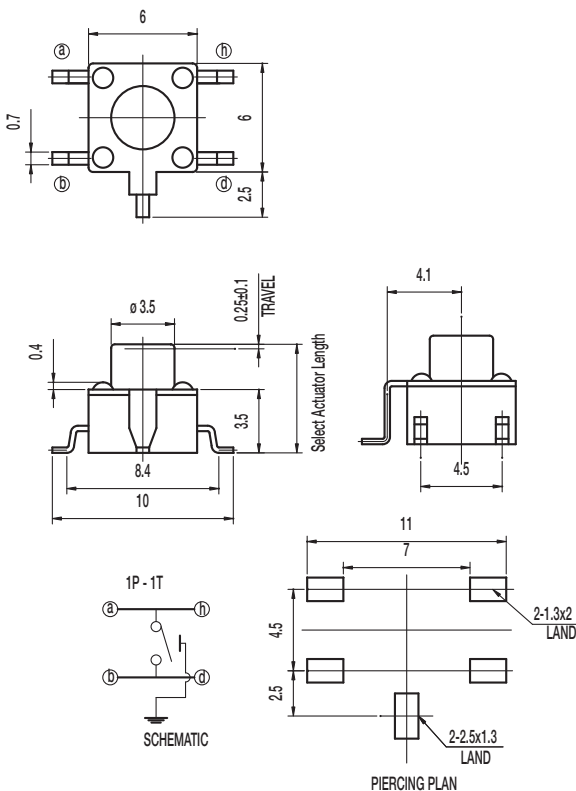
### Materials

KNOB: PBT  
 COVER: SPTE  
 HOUSING: PBT  
 SPRING PLATE: Silver clad  
 TERMINAL: Silver plated

**NOTE:** Specifications and materials listed above are for switches with standard options. For information on specific and custom switches, please contact Customer Service.

Tactile Switches

## RS-044R05 SMA Cylinder Shape Actuator SMT



### Specifications

CONTACT RATING: 50mA @ 12 VDC  
 INITIAL CONTACT RESISTANCE: 100 m ohms max.  
 INSULATION RESISTANCE: 100 M ohms min.  
 DIELECTRIC STRENGTH: 250 V AC (50-60 Hz) between open terminals and between the frame and terminal.  
 RELEASING FORCE: 20gf min. (0.2N min.)  
 TRAVEL:  $0.25 \pm 0.10$  mm  
 OPERATING TEMPERATURE: -20°C to 70°C

### Materials

KNOB: PA  
 COVER: SPTE  
 HOUSING: PA  
 SPRING PLATE: Silver clad  
 TERMINAL: Silver plated

**NOTE:** Specifications and materials listed above are for switches with standard options. For information on specific and custom switches, please contact Customer Service.

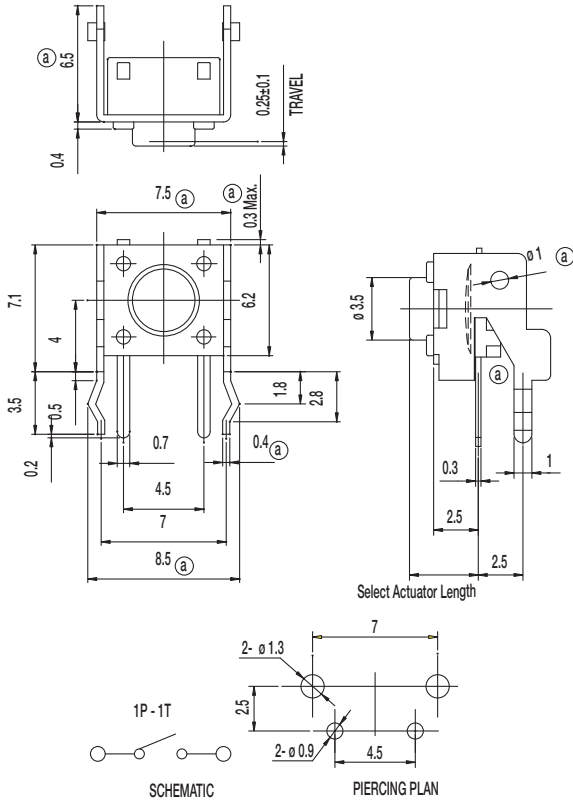


Dimensions are shown: mm  
 Specifications and dimensions subject to change

**NEW!**

# RS Series Tact Switches

## RS-022R05



### Specifications

CONTACT RATING: 50mA @ 12 VDC  
INITIAL CONTACT RESISTANCE: 100 m ohms max.  
INSULATION RESISTANCE: 100 M ohms min.  
DIELECTRIC STRENGTH: 250 V AC (50-60 Hz) between open terminals and between the frame and terminal.  
RELEASING FORCE: 20gf min. (0.196N min.)  
TRAVEL: 0.25 ± 0.10 mm  
OPERATING TEMPERATURE: -20°C to 80°C

### Materials

KNOB: PA  
COVER: SPTE  
HOUSING: PA  
SPRING PLATE: Silver clad  
TERMINAL: Silver plated

**NOTE:** Specifications and materials listed above are for switches with standard options. For information on specific and custom switches, please contact Customer Service.

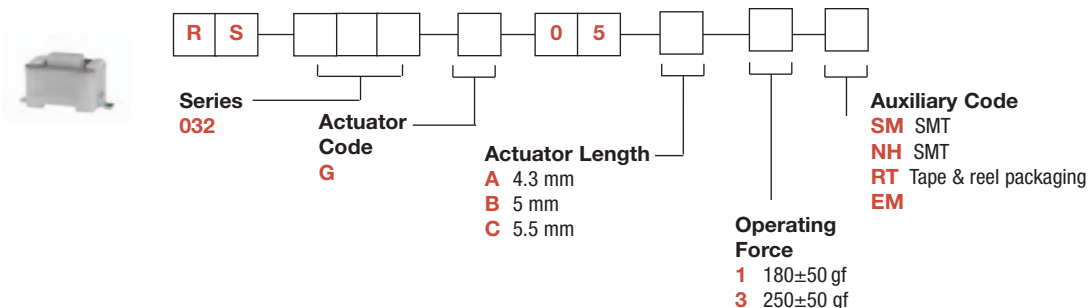


**B**

**Tactile Switches**

# RS 032 Series Tact Switches

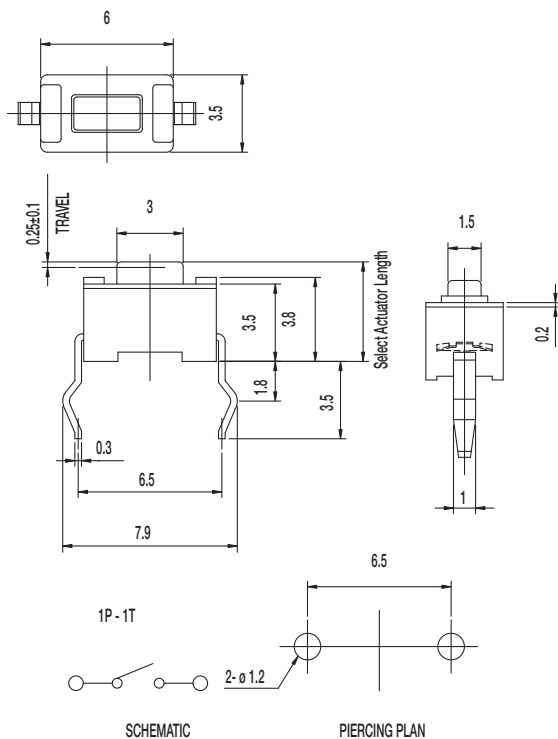
**NEW!**



Tactile Switches

B

## RS-032G05



### Specifications

CONTACT RATING: 50mA @ 12 VDC  
 INITIAL CONTACT RESISTANCE: 100 m ohms max.  
 INSULATION RESISTANCE: 100 M ohms min.  
 DIELECTRIC STRENGTH: 250 V AC (50-60 Hz) between open terminals and between the frame and terminal.  
 RELEASING FORCE: 20gf min. (0.196N min.)  
 TRAVEL: 0.25 ± 0.10 mm  
 OPERATING TEMPERATURE: -20°C to 70°C

### Materials

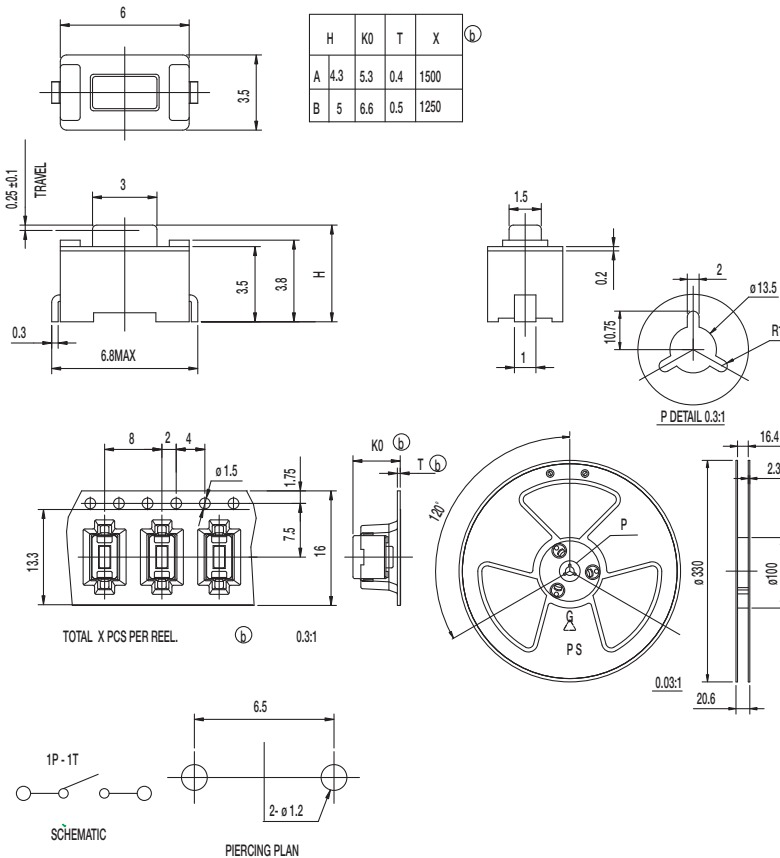
KNOB: PA46  
 COVER: SUS  
 HOUSING: PA46  
 SPRING PLATE: Silver clad  
 TERMINAL: Silver plated

**NOTE:** Specifications and materials listed above are for switches with standard options. For information on specific and custom switches, please contact Customer Service.

**NEW!**

# RS Series Tact Switches

## RS-032G05 NH RT



### Specifications

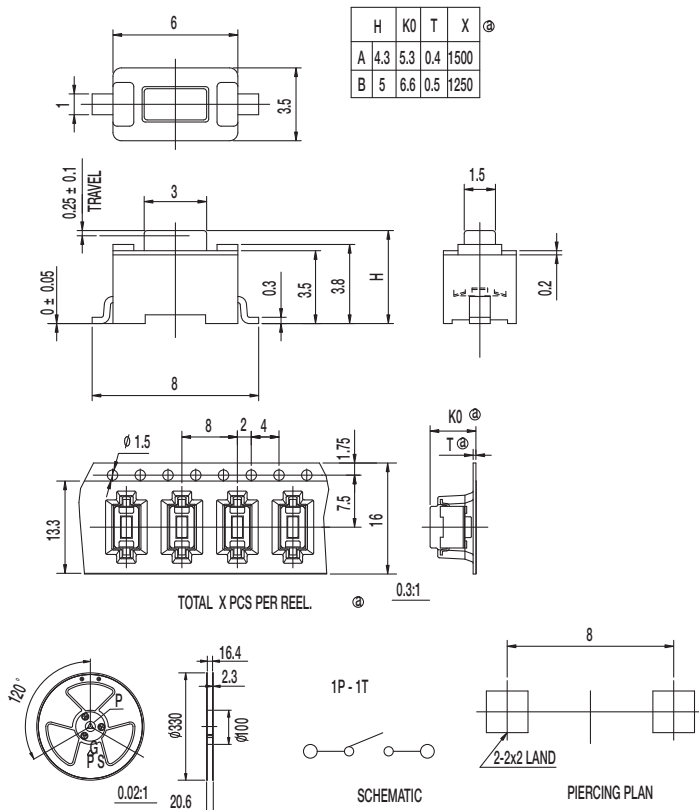
CONTACT RATING: 50mA @ 12 VDC  
 INITIAL CONTACT RESISTANCE: 100 m ohms max.  
 INSULATION RESISTANCE: 100 M ohms min.  
 DIELECTRIC STRENGTH: 250 V AC (50-60 Hz) between open terminals and between the frame and terminal.  
 OPERATING LIFE: 30,000 cycles with load  
 OPERATING FORCE: 180 ± 50gf  
 RELEASING FORCE: 20gf min. (0.2N min.)  
 TRAVEL: 0.25 ± 0.10 mm  
 OPERATING TEMPERATURE: -20°C to 70°C

### Materials

KNOB: PA  
 COVER: SUS  
 HOUSING: PA  
 SPRING PLATE: Silver clad  
 TERMINAL: Silver plated

**NOTE:** Specifications and materials listed above are for switches with standard options. For information on specific and custom switches, please contact Customer Service.

## RS-032G05 SM RT



### Specifications

CONTACT RATING: 50mA @ 12 VDC  
 INITIAL CONTACT RESISTANCE: 100 m ohms max.  
 INSULATION RESISTANCE: 100 M ohms min.  
 DIELECTRIC STRENGTH: 250 V AC (50-60 Hz) between open terminals and between the frame and terminal.  
 OPERATING LIFE: 30,000 cycles with load  
 OPERATING FORCE: 180 ± 50gf  
 RELEASING FORCE: 20gf min. (0.2N min.)  
 TRAVEL: 0.25 ± 0.10 mm  
 OPERATING TEMPERATURE: -20°C to 70°C

### Materials

KNOB: PA  
 COVER: SUS  
 HOUSING: PA  
 SPRING PLATE: Silver clad  
 TERMINAL: Silver plated

**NOTE:** Specifications and materials listed above are for switches with standard options. For information on specific and custom switches, please contact Customer Service.



Dimensions are shown: mm  
 Specifications and dimensions subject to change

**B**

Tactile Switches

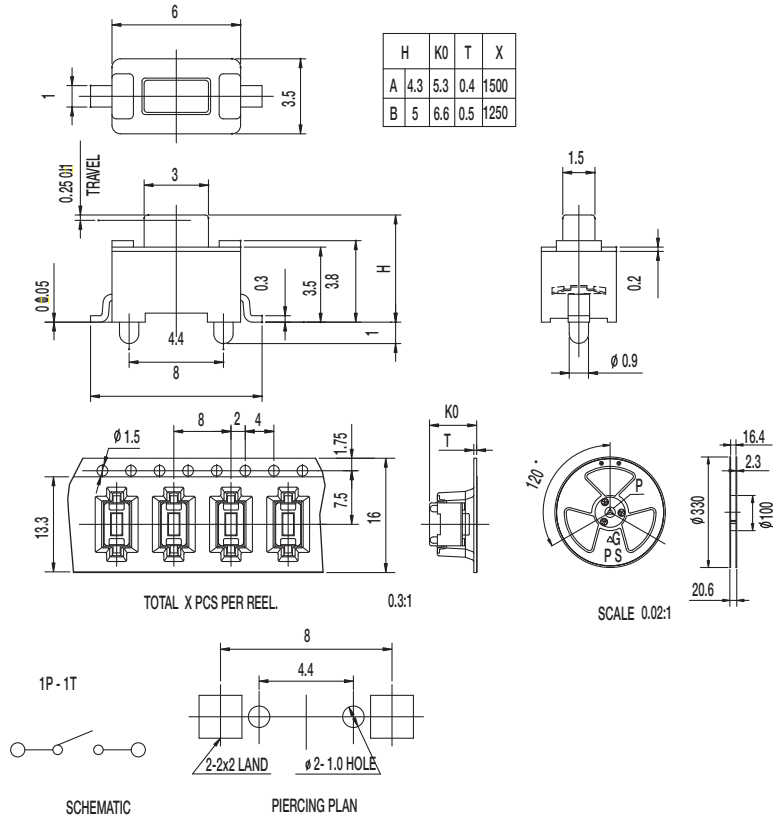
# RS Series Tact Switches

**NEW!**

## RS-032G05 SM EM RT

Tactile Switches

B



### Specifications

CONTACT RATING: 50mA @ 12 VDC  
 INITIAL CONTACT RESISTANCE: 100 m ohms max.  
 INSULATION RESISTANCE: 100 M ohms min.  
 DIELECTRIC STRENGTH: 250 V AC (50-60 Hz) between open terminals and between the frame and terminal.  
 OPERATING LIFE: 30,000 cycles with load  
 OPERATING FORCE: 180 ± 50gf  
 RELEASING FORCE: 20gf min. (0.2N min.)  
 TRAVEL: 0.25 ± 0.10 mm  
 OPERATING TEMPERATURE: -20°C to 70°C

### Materials

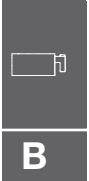
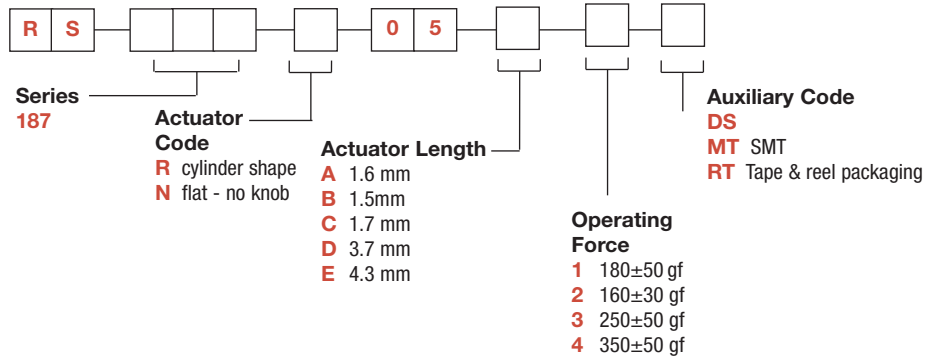
KNOB: PA  
 COVER: SUS  
 HOUSING: PA  
 SPRING PLATE: Silver clad  
 TERMINAL: Silver plated

**NOTE:** Specifications and materials listed above are for switches with standard options. For information on specific and custom switches, please contact Customer Service.



**NEW!**

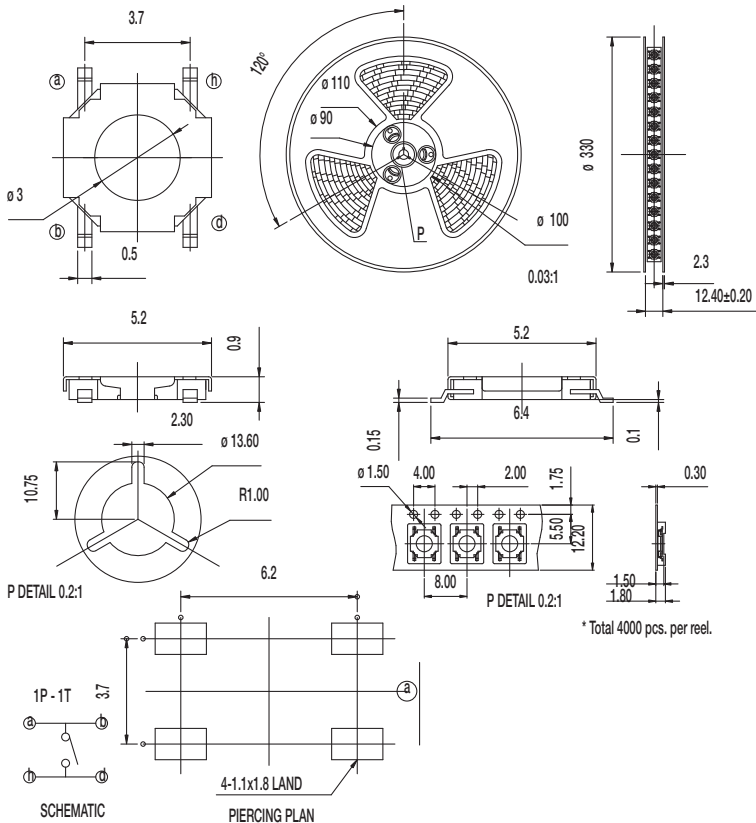
# RS Series Tact Switches



**B**

**Tactile Switches**

## RS-187N05 DS RT



### Specifications

CONTACT RATING: 50mA @ 12 VDC  
 INITIAL CONTACT RESISTANCE: 100 m ohms max.  
 INSULATION RESISTANCE: 100 M ohms min.  
 DIELECTRIC STRENGTH: 250 V AC (50-60 Hz) between open terminals and between the frame and terminal.  
 OPERATING LIFE: 100,000 cycles with load  
 OPERATING FORCE: 180 ± 50gf (1.76 ± 0.49N)  
 RELEASING FORCE: 20gf min. (0.2N min.)  
 TRAVEL: 0.25 ± 0.10 mm  
 OPERATING TEMPERATURE: -20°C to 70°C

### Materials

COVER: SUS  
 HOUSING: PA  
 SPRING PLATE: Silver clad  
 TERMINAL: Silver plated

**NOTE:** Specifications and materials listed above are for switches with standard options. For information on specific and custom switches, please contact Customer Service.



Dimensions are shown: mm  
 Specifications and dimensions subject to change

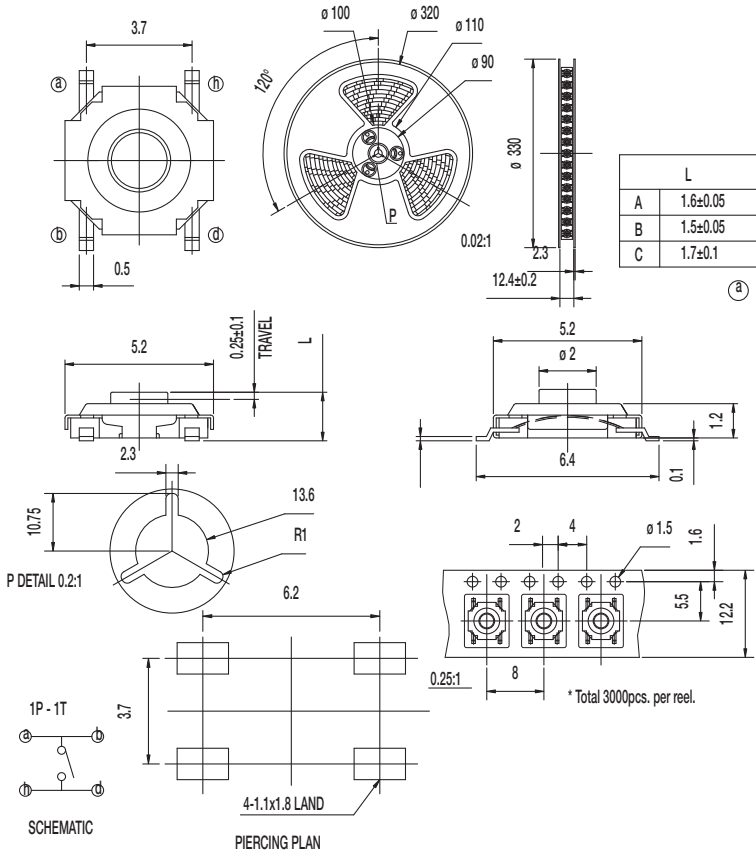
# RS Series Tact Switches

**NEW!**

**B**

**Tactile Switches**

## RS-187R05 DS MT RT



### Specifications

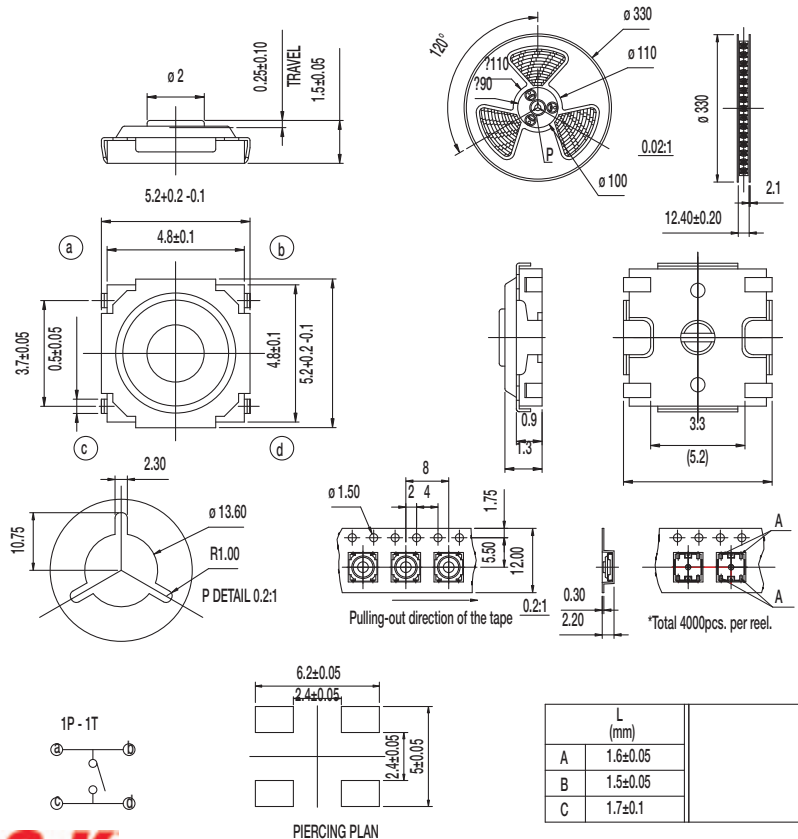
CONTACT RATING: 50mA @ 12 VDC  
 INITIAL CONTACT RESISTANCE: 100 m ohms max.  
 INSULATION RESISTANCE: 100 M ohms min.  
 DIELECTRIC STRENGTH: 250 V AC (50-60 Hz) between open terminals and between the frame and terminal.  
 OPERATING LIFE: 50,000 cycles with load  
 OPERATING FORCE: 180 ± 50gf (1.76 ± 0.49N)  
 RELEASING FORCE: 20gf min. (0.2N min.)  
 TRAVEL: 0.25 ± 0.10 mm  
 OPERATING TEMPERATURE: -20°C to 70°C

### Materials

COVER: SUS  
 HOUSING: PA  
 SPRING PLATE: Silver clad  
 TERMINAL: Silver plated

**NOTE:** Specifications and materials listed above are for switches with standard options. For information on specific and custom switches, please contact Customer Service.

## RS-187R05B DS-MT U RT



### Specifications

CONTACT RATING: 50mA @ 12 VDC  
 INITIAL CONTACT RESISTANCE: 100 m ohms max.  
 INSULATION RESISTANCE: 100 M ohms min.  
 DIELECTRIC STRENGTH: 250 V AC (50-60 Hz) between open terminals and between the frame and terminal.  
 OPERATING LIFE: 50,000 cycles with load  
 OPERATING FORCE: 180 ± 50gf (1.764 ± 0.49N)  
 RELEASING FORCE: 20gf min. (0.2N min.)  
 TRAVEL: 0.25 ± 0.10 mm  
 OPERATING TEMPERATURE: -20°C to 70°C

### Materials

KNOB: C2680R  
 COVER: SUS  
 HOUSING: PA  
 SPRING PLATE: Silver clad  
 TERMINAL: Silver plated

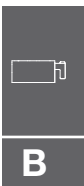
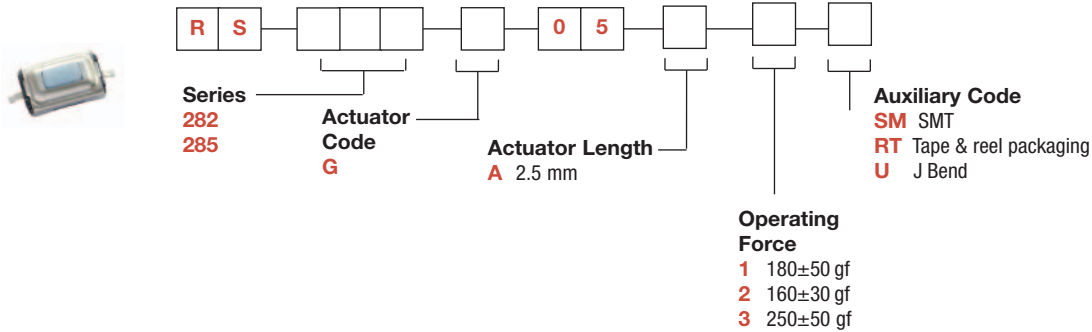
**NOTE:** Specifications and materials listed above are for switches with standard options. For information on specific and custom switches, please contact Customer Service.



Dimensions are shown: mm  
 Specifications and dimensions subject to change

**NEW!**

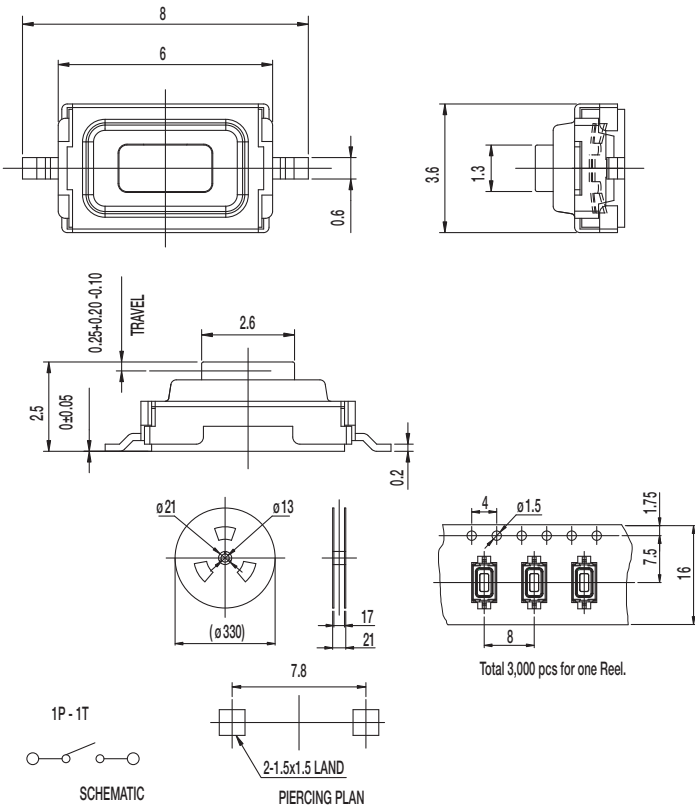
# RS Series Tact Switches



**B**

**Tactile Switches**

## RS-282G05 SM RT



### Specifications

CONTACT RATING: 50mA @ 12 VDC  
 INITIAL CONTACT RESISTANCE: 100 m ohms max.  
 INSULATION RESISTANCE: 100 M ohms min.  
 DIELECTRIC STRENGTH: 250 V AC (50-60 Hz) between open terminals and between the frame and terminal.  
 OPERATING LIFE: 50,000 cycles with load  
 OPERATING FORCE: 250 ± 50gf  
 RELEASING FORCE: 20gf min. (0.2N min.)  
 TRAVEL: 0.25 ± 0.10 mm  
 OPERATING TEMPERATURE: -20°C to 70°C

### Materials

KNOB: PA  
 COVER: SUS  
 HOUSING: PA  
 SPRING PLATE: Silver clad  
 TERMINAL: Silver plated

**NOTE:** Specifications and materials listed above are for switches with standard options. For information on specific and custom switches, please contact Customer Service.



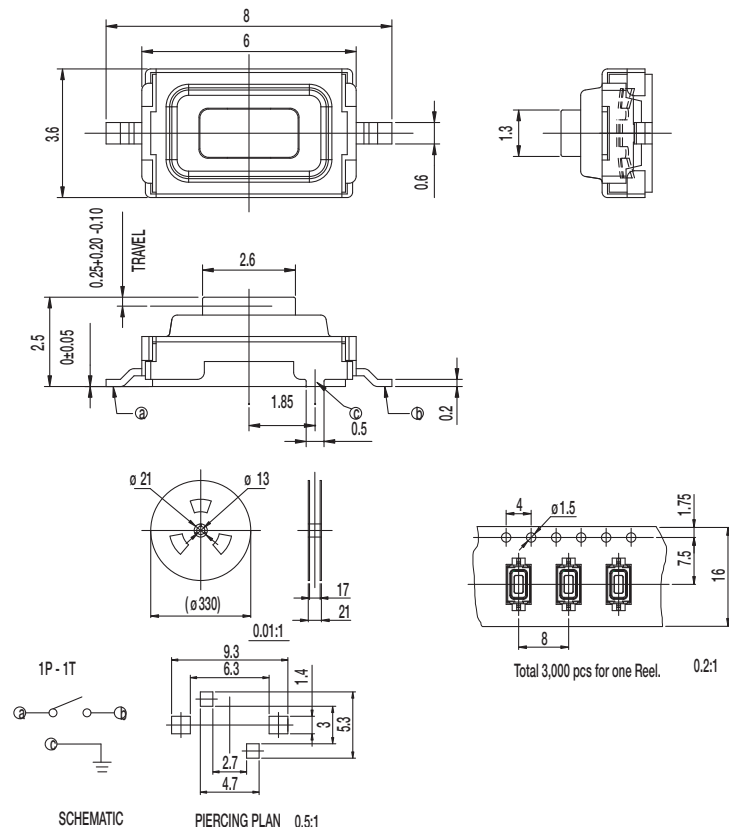
Dimensions are shown: mm  
 Specifications and dimensions subject to change

# RS Series Tact Switches

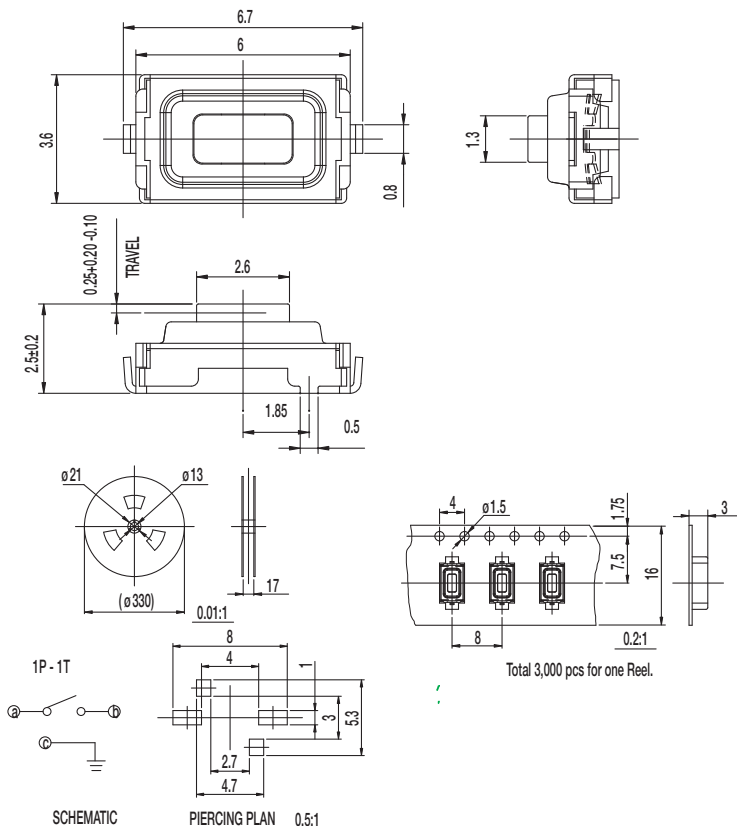
**NEW!**

Tactile Switches

## RS-285G05 SM RT



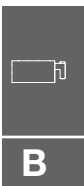
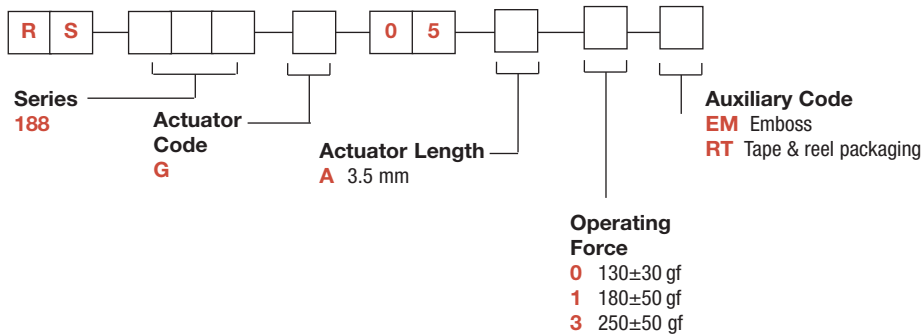
## RS-285G05 U RT



Dimensions are shown: mm  
 Specifications and dimensions subject to change

**NEW!**

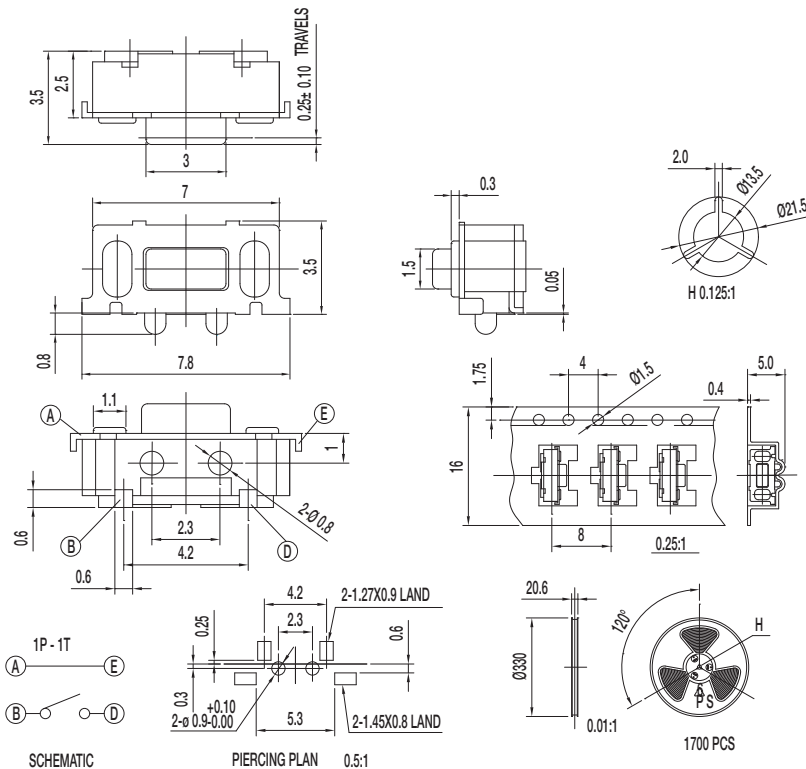
# RS Series Tact Switches



**B**

**Tactile Switches**

## RS-188G05A EM RT



### Specifications

- CONTACT RATING: 50mA @ 12 VDC
- INITIAL CONTACT RESISTANCE: 100 m ohms max.
- INSULATION RESISTANCE: 100 M ohms min.
- DIELECTRIC STRENGTH: 250 V AC (50-60 Hz) between open terminals and between the frame and terminal.
- OPERATING LIFE: 30,000 cycles with load
- OPERATING FORCE: 180 ± 50gf
- RELEASING FORCE: 20gf min. (0.2N min.)
- TRAVEL: 0.25 ± 0.10 mm
- OPERATING TEMPERATURE: -20°C to 70°C

### Materials

- KNOB: PA
- COVER: SPTe
- HOUSING: PA
- SPRING PLATE: SUS
- TERMINAL: Silver plated

**NOTE:** Specifications and materials listed above are for switches with standard options. For information on specific and custom switches, please contact Customer Service.



Dimensions are shown: mm  
Specifications and dimensions subject to change