

PISE-W202C

Outdoor 120W LED Driver

28V - 37V / 2.5A - 3.4A / 120W

Features

- ▶ Dimming Method: 1-10V Dimming
- ▶ Constant Current Control
- ▶ Adjustable Output Current
- ▶ High Efficiency & Active Power Factor Correction
- ▶ Protection : OVP, OPP and OTP
- ▶ EN 61347-1, EN 61347-2-13, EN 62493, K61347-1, K61347-2-13, K62384, KS C 7655, J61347-1, J61347-2-13 Safety Certifications Approved
- ▶ RoHS Compliant



Electrical Specifications

| Output [W] | Output [Vdc] | Output [A] | Input [Vac] | Dim. Method | PF | Efficiency [%] | Mechanical Outline [LxWxH mm] |
|------------|--------------|------------|-------------|-------------|------|----------------|-------------------------------|
| 120 | 28-37 | 2.5-3.4 | 100-240 | 1-10V | >0.9 | Max. 91.5 | 228 × 68 × 40 |

Input Specifications

| Parameter | Min. | Typ. | Max. | Unit | Remark |
|-----------------------------|------|-------|------|------|--------------------------|
| Input Voltage (Nominal) | 100 | - | 240 | Vac | |
| Input Voltage (Performance) | 90 | - | 264 | Vac | |
| Input Current | - | - | 1.36 | A | @ AC 100V, 100% Load |
| Input Wattage | - | - | 134 | W | @ AC 100V, 100% Load |
| Nominal Input Frequency | - | 50/60 | - | Hz | |
| Efficiency | - | - | 91.5 | % | @ AC 230V, 100% Load |
| Power Factor | 0.9 | - | - | - | @ AC 100-240, 100% Load |
| THD | - | - | 20 | % | @ AC 100-240V, 100% Load |
| Inrush Current | - | - | - | Apk | |

※ Note : All parameters NOT specially mentioned are measured at rated load and 25 °C of ambient temperature.

Output Specifications

| Parameter | Min. | Typ. | Max. | Unit | Remark |
|------------------------------|------|------|-------|------|--|
| Output Voltage | 28 | 36 | 37 | V | |
| Output Current Range | 2.5 | - | 3.4 | A | Variable Resistor |
| Output Dimming Current Range | 10 | - | 100 | % | 1-10V Dimming |
| Output Current Tolerance | -5 | - | 5 | % | @ 100% Dimming |
| Output Ripple Current | - | - | 20 | % | = Peak to Peak / rms @ 100% Dimming |
| Output Power | - | - | 120 | W | |
| Start-up Time | - | - | 2,000 | ms | @ 100% Dimming |

Protection Functions

| Parameter | Min. | Typ. | Max. | Unit | Remark |
|--------------------------------|------|------|------|------|-----------------------|
| Output Over Voltage Protection | - | - | 42 | V | Auto Recovery |
| Output Over Power Protection | - | 200 | - | W | Auto Recovery & Latch |
| Output Over Temp. Protection | - | 105 | - | °C | Decrease Current @ Tc |

Environmental Specifications

| Parameter | Min. | Typ. | Max. | Unit | Remark | |
|-------------|-----------|------|------|------|-----------|------|
| Temperature | Operation | -40 | - | 50 | °C | @ Ta |
| | | - | - | 80 | °C | @ Tc |
| | Storage | -40 | - | 80 | °C | @ Ta |
| Humidity | Operation | 10 | - | 90 | % | - |
| | Storage | - | - | 90 | % | - |
| Lifetime | 50 | - | - | KHrs | @ Tc=75°C | |

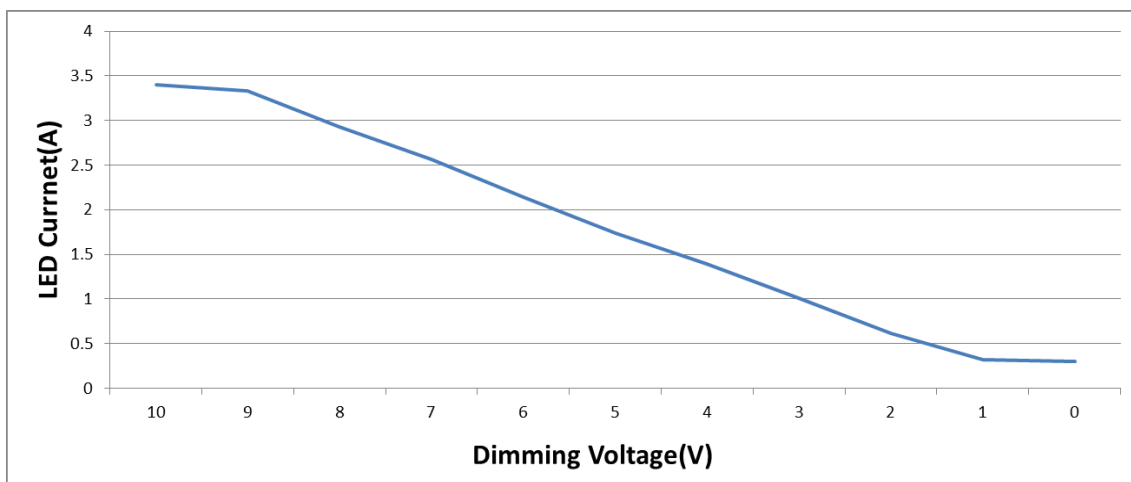
※ Note : All parameters NOT specially mentioned are measured at rated load and 25°C of ambient temperature.

Standards

| Parameter | Condition | Remark |
|---------------------|---|--------|
| Safety Standards | Design to meet the requirements as follows ; - CE: EN 61347-1, EN 61347-2-13, EN 62493 - KC: K61347-1, K61347-2-13, K62384 - KS: KS C 7655 - PSE: J61347-1, J61347-2-13 | |
| EMI / RFI Standards | Design to meet the requirements as follows ; - CE: EN 62493, EN 55015, EN 61547, EN 61000-3-2, EN 61000-3-3 - KC: K00015, K61547 - KS: KS C CISPR 15, KS C IEC 61547 - PSE: J55015 | |
| Ingress Protection | - IP65 | |

Dimming Control (1-10V Dimming)

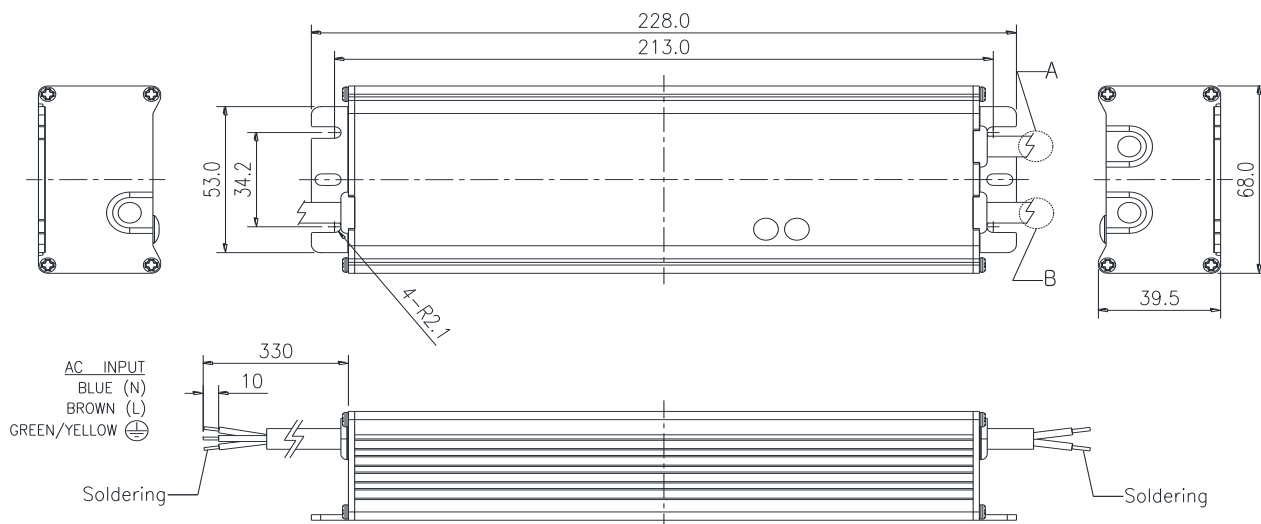
- * Dimming characteristic: Maximum load over 10V, Minimum load under 1V.
- * The output is maximum load when the dimming leads are floating by internal full-up resistor.
- * The output is minimum load when the dimming leads are short.



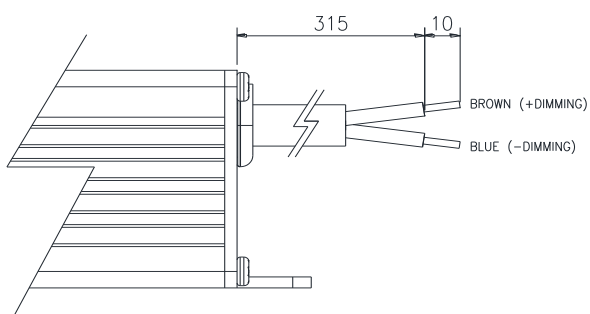
Mechanical Outline

1. Case Dimension

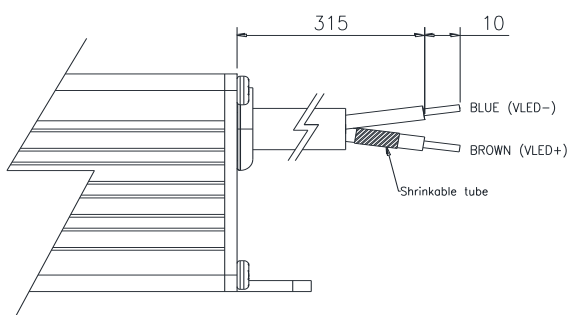
(Unit: mm)



Detail "A"



Detail "B"



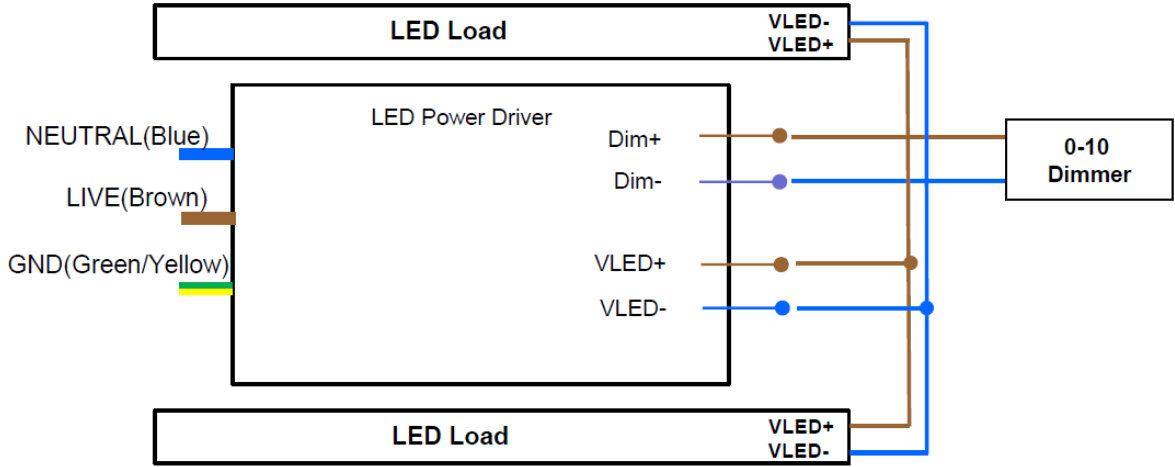
WIRE SPECIFICATION

- AC INPUT : HO5RN-F 3G 1.0mm²
- DC OUTPUT : HO5RN-F 1.0/2C
- DIMMING : HO5RN-F 1.0/2C

Datasheet is subject to change without notice.

Mechanical Outline

2. Connector Description



Datasheet Revision History

| Change Date | Rev. No. | Description of Change | Remark |
|-------------|----------|-----------------------|--------|
| 2014/09/26 | 1.0 | - Initial Release | |
| | | | |