

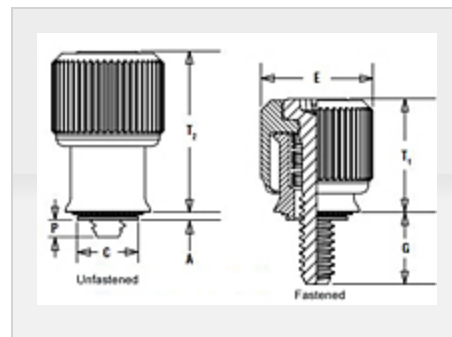
North America: Danboro, PA • E-mail: info@pemnet.com • Tel: +1-215-766-8853

Europe: Galway, Ireland • E-mail: europe@pemnet.com • Tel: +353-91-751714

Asia/Pacific: Singapore • E-mail: singapore@pemnet.com • Tel: +65-6-745-0660
Shanghai, China • E-mail: china@pemnet.com • Tel: +86-21-5868-3688

Part # PF11-832-2, Large knob, spring-loaded – Types PF11 and PF12 - Unified

- Shoulder on retainer provides positive stop during installation.
- Available in self-clinching, flaring, or floating mounting styles.
- Available with knurled or un-knurled metal cap, black metal cap, or a custom color plastic cap.



Specifications

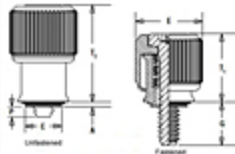
Thread Size .164-32 (#8-32)

Type Knurled Cap - PF11

Thread Code 832

Screw Length Code 2

A (Shank) Max. .036 in



Min. Sheet Thickness .036 in

Hole Size in Sheet + 0.003 - 0.000 .312 in

C Max.	.311 in
E ± .010	.514 in
G ± .025	.350 in
P ± .025	.120 in
T1 Nom.	.450 in
T2 Nom.	.640 in
Driver Size	Slotted/#2 Phillips
Min. Dist. Hole C/L to Edge	.330 in
Standard Finish	Knob - Natural Finish Retainer - Bright nickel over copper flash per ASTM B689 Screw - Passivated and/or tested per ASTM A380 Spring - Natural Finish
CAD View	Fastened
Thread Specification⁽¹⁾	ANSI B1.1, 2A
Material Knob	Aluminum
Material Retainer	Heat-Treated Carbon Steel
Material Screw	400 Series Stainless Steel
Material Spring	300 Series Stainless Steel
Finish Knob	Natural Finish
Finish Retainer	Bright nickel over copper flash per ASTM B689
Finish Screw	Passivated and/or tested per ASTM A380
Finish Spring	Natural Finish
For Use in Sheet Hardness	HRB 80 or Less (Hardness Rockwell "B" Scale) / HB 150 or Less (Hardness Brinell)
CAD Supplier	PennEngineering® (PEM®)

¹ As with all external plated threads, Class 2A/6g, the maximum major and pitch, after plating, may equal basic sizes and be gauged to Class 3A/4h, per ANSI B1.1, Section 8, Table 3A and ANSI B1.13M, Section 8, Paragraph 8.2