



## Description

- Simple package crystal oscillator in a hermetically sealed 14-pin DIL package
- Model IQXO-820
- Model Issue number 1

## Frequency Parameters

- Frequency 40.0MHz
- Frequency Stability  $\pm 100.00\text{ppm}$
- Operating Temperature Range  $-10.00$  to  $70.00^\circ\text{C}$
- Ageing  $\pm 5\text{ppm}$  max in 1st yr @  $25^\circ\text{C}$

## Electrical Parameters

- Supply Voltage  $5.0\text{V} \pm 10\%$
- Current Draw  $40.00\text{mA}$

## Output Details

- Output Compatibility HCMOS
- Drive Capability  $30\text{pF}$
- Rise and Fall Time  $5.0\text{ns}$  max
- Duty Cycle  $45/55\%$

## Output Control

- Start Up Time:  $10\text{ms}$  max

## Output Levels

- VoH:  $90\%$  Vs min
- VoL:  $10\%$  Vs max

## Noise Parameters

- Phase Jitter (12kHz-20MHz):  $1\text{ps}$  rms max

## Environmental Parameters

- Shock:  $1500\text{G}$ ,  $0.5\text{ms}$ , 5 times in each of 6 directions, along 3 mutually perpendicular planes
- Vibration:  $20\text{G}$  ( $20\text{Hz}$ - $2000\text{Hz}$ ),  $1.5\text{mm}$  amplitude, cross-over frequency  $80\text{Hz}$ , in 3 mutually perpendicular planes
- Storage Temperature Range:  $-55$  to  $125^\circ\text{C}$

## Compliance

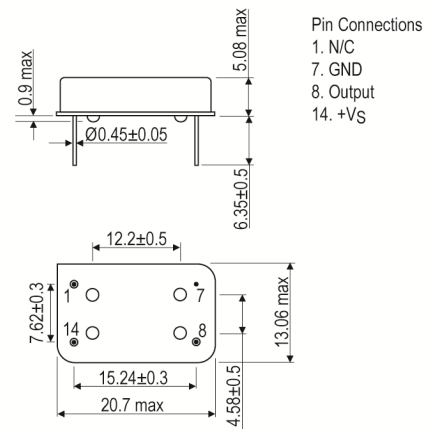
- RoHS Status (2011/65/EU) Compliant
- REACH Status Compliant
- MSL Rating (JDEC-STD-033): Not Applicable

## Packaging Details

- Pack Style: Bulk Loose in Bulk Pack  
Pack Size: 25
- Alternative packing option available



## Outline (mm)



## Sales Office Contact Details:

UK: +44 (0)1460 270200  
Germany: 0800 1808 443

France: 0800 901 383  
USA: +1 408.273.4530

Email: [info@iqdfrequencyproducts.com](mailto:info@iqdfrequencyproducts.com)  
Web: [www.iqdfrequencyproducts.com](http://www.iqdfrequencyproducts.com)