

ACTUATOR - SWITCH

(M) JS-6
ISSUE 2

JS-6

M

DRAWING
NUMBER

4

ISSUE

REPLACES

RELEASE NO.

CHECK

CHECK

CHECK

CHECK

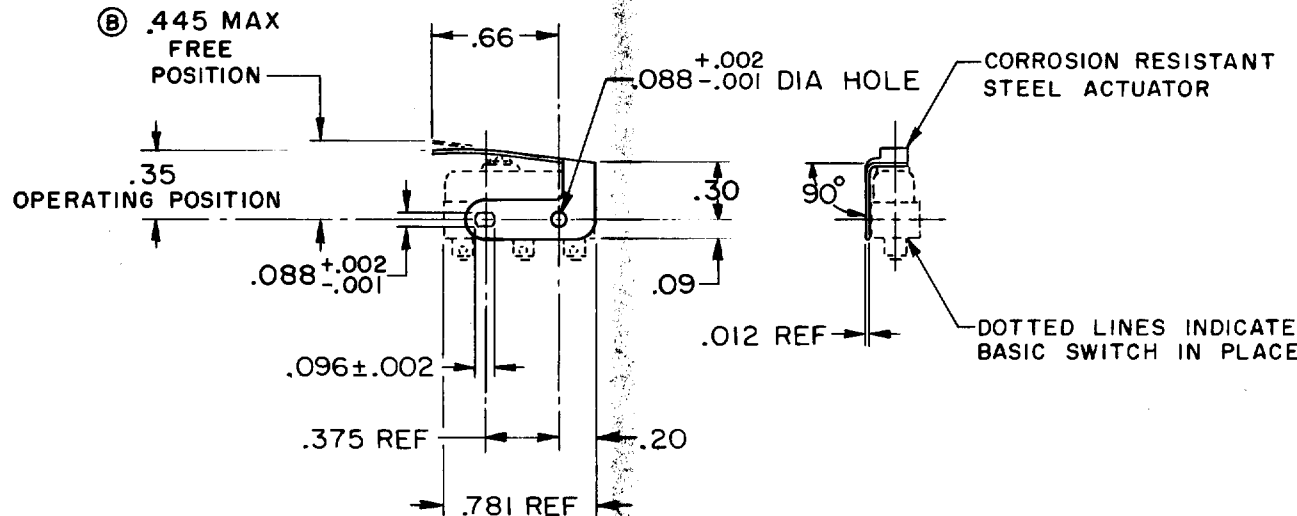
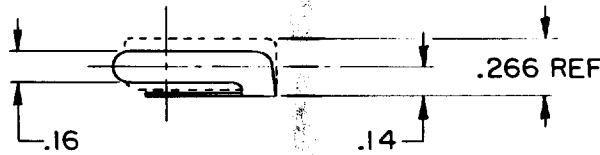
CHECK

REVISIONS

A	CO12901	
	OMW	13 MAY 59
B	CO17304	
	M B F	6 JUNE 63

6-CH/13 MAY 59

DRAWN
OMW 13 MAY 59



THIS DRAWING COVERS A PROPRIETARY ITEM AND IS THE PROPERTY OF MICRO SWITCH, A DIVISION OF MINNEAPOLIS-HONEYWELL REGULATOR CO. THIS DRAWING IS NOT TO BE COPIED OR USED WITHOUT THE APPROVAL OF MICRO SWITCH.

CHARACTERISTICS	WITH ISMI BASIC SWITCH INSTALLED
OPERATING FORCE	-----10 OZ MAX
RELEASE FORCE	-----ⓑ 2 OZ MIN
PRETRAVEL	-----.078 MAX
DIFFERENTIAL TRAVEL	-----.015 MAX
OVERTRAVEL	------.015 MIN

ELECTRICAL DATA	
CONTACT ARRANGEMENT	BREAK DISTANCE

SCALE - FULL	
DO NOT SCALE PRINT	
UNLESS OTHERWISE SPECIFIED	
DIMENSIONS ARE IN INCHES	
TOLERANCES ARE:	
ONE PLACE (.0)	±.030
TWO PLACE (.00)	±.015
THREE PLACE (.000)	±.005
ANGLES	± 2°
WEIGHT	