

# GMD

## 5 mm x 20 mm Time-delay glass tube fuses



### Agency information

- UL Listed, Guide JDYX, File E19180
- UL Recognition Card (4 A), Guide JDYX2, File E19180
- CSA Certified, Class 1422-01, File 53787
- PSE/JET, File 1641-31003-1001

### Ordering

- Specify product code: Insert packaging code prefix before part number. E.g. BK-GMD-250-R
- Specify option code if desired: For axial leads, insert "V" between catalog series and amp rating. E.g. BK-GMD-V-250-R
- With TR2 packaging code, lead wire length is 19.05mm

### Product features

- Time-delay, low breaking capacity
- Optional axial leads available
- 5 x 20 mm physical size
- Nickel-plated brass endcap construction
- Designed to UL/CSA 248-14

Electrical characteristics		
Rated current	% of Amp rating	Opening time
125 mA - 4 A	100%	None
	135%	60 minutes maximum
	200%	5 seconds minimum
		2 minutes maximum

Part number	Voltage rating Vac	Interrupting rating (A) at rated voltage (50 Hz)		Typical DC cold resistance (Ω)**	Typical melting I <sup>2</sup> t (A <sup>2</sup> s)†	Typical voltage drop (mV)‡	Agency approvals		
		250 Vac	125 Vac				UL	PSE JET	CSA
GMD-125-R	250	35	10,000	9.91	0.043	1800	X		X
GMD-150-R	250	35	10,000	6.065	0.046	1200	X		X
GMD-200-R	250	35	10,000	3.215	0.20	1100	X		X
GMD-250-R	250	35	10,000	2.400	0.40	950	X		X
GMD-300-R	250	35	10,000	1.625	0.65	800	X		X
GMD-315-R	250	35	10,000	1.555	0.89	750	X		X
GMD-375-R	250	35	10,000	1.0645	0.89	650	X		X
GMD-400-R	250	35	10,000	0.948	1.2	600	X		X
GMD-500-R	250	35	10,000	0.629	1.4	550	X		X
GMD-600-R	250	35	10,000	0.4425	3.1	450	X		X
GMD-630-R	250	35	10,000	0.4475	3.1	450	X		X
GMD-750-R	250	35	10,000	0.3065	4.7	410	X		X
GMD-800-R	250	35	10,000	0.299	6.6	380	X	X	X
GMD-1-R	250	35	10,000	0.1995	12	310	X	X	X
GMD-1.2-R	250	100	10,000	0.158	16	280	X	X	X
GMD-1.25-R	250	100	10,000	0.124	16	245	X	X	X
GMD-1.5-R	250	100	10,000	0.107	25	240	X	X	X
GMD-1.6-R	250	100	10,000	0.905	27	220	X	X	X
GMD-2-R	250	100	10,000	0.655	42	200	X	X	X
GMD-2.5-R	250	100	10,000	0.48	94	195	X	X	X
GMD-3-R	250	100	10,000	0.37	145	190	X	X	X
GMD-4-R	250	200	10,000	0.28	300	190	UR	X	

\* Interrupting ratings (Interrupting ratings for 125mA - 3A were measured at 70% - 80% power factor on AC. The interrupting ratings for 4A were measured at 100% power factor on AC)

\*\* Typical DC cold resistance (measured at <10% of rated current)

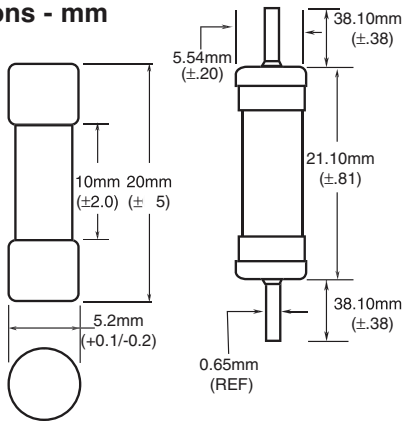
† Typical melting I<sup>2</sup>t (I<sup>2</sup>t was measured at listed interrupting rating and rated voltage)

‡ Typical voltage drop (voltage drop was measured at +20 °C ambient temperature at rated current)

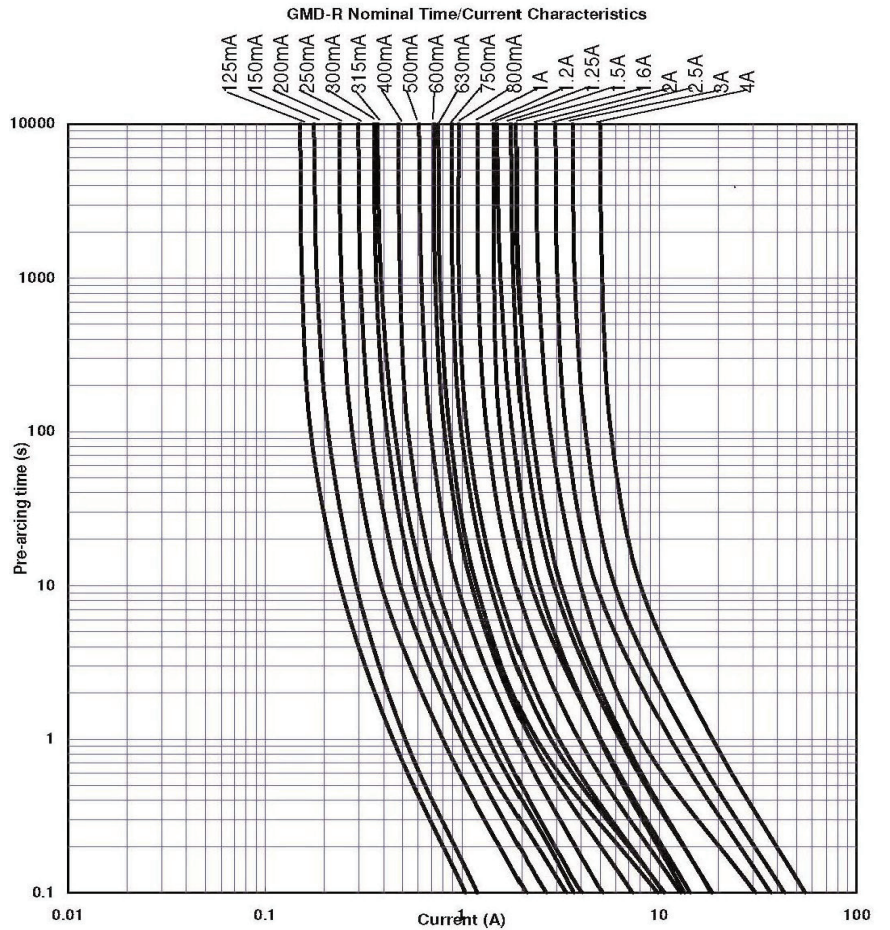


Powering Business Worldwide

**Dimensions - mm**



**Time-Current Curve**



Packaging code	
Packaging prefix	Description
BK	100 fuses packed into a cardboard carton
BK1	1,000 fuses packed into a poly bag
TR2	1,500 fuses packed into tape on a reel (19.05mm lead wire length)

Option code	
Option code	Description
V	Axial leads - copper tinned wire with nickel plated brass endcaps

Life Support Policy: Eaton does not authorize the use of any of its products for use in life support devices or systems without the express written approval of an officer of the Company. Life support systems are devices which support or sustain life, and whose failure to perform, when properly used in accordance with instructions for use provided in the labeling, can be reasonably expected to result in significant injury to the user.

Eaton reserves the right, without notice, to change design or construction of any products and to discontinue or limit distribution of any products. Eaton also reserves the right to change or update, without notice, any technical information contained in this bulletin.

**Eaton**  
**Electronics Division**  
1000 Eaton Boulevard  
Cleveland, OH 44122  
United States  
Eaton.com/electronics

© 2020 Eaton  
All Rights Reserved  
Printed in USA  
Publication No. 2019  
April 2020

Eaton is a registered trademark.

All other trademarks are property of their respective owners.

Follow us on social media to get the latest product and support information.

