

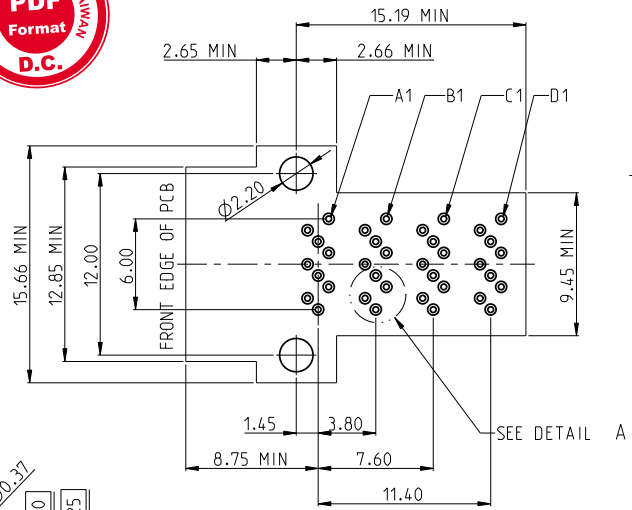
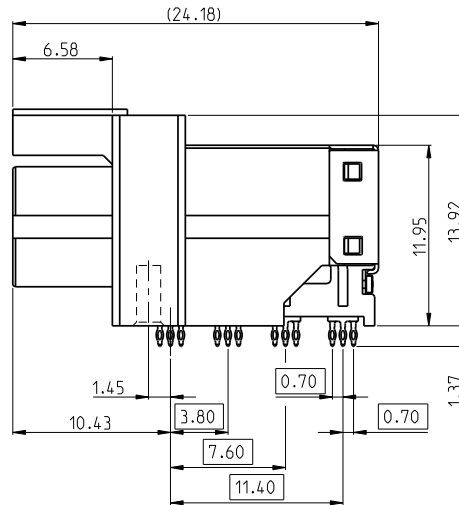
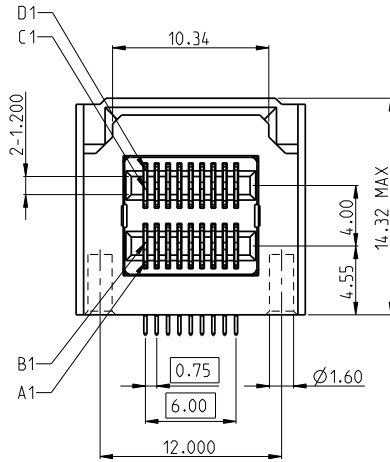
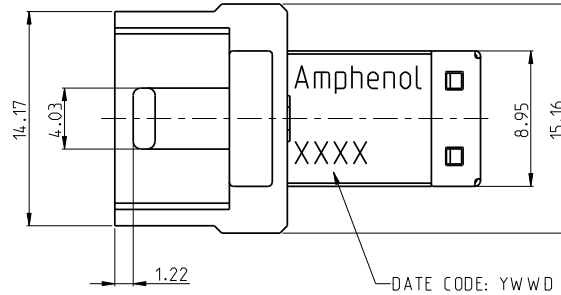
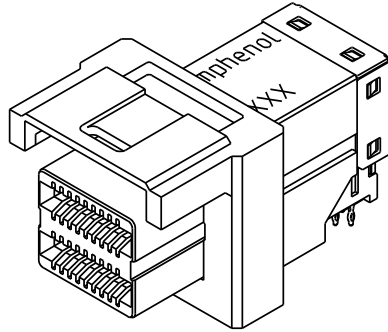
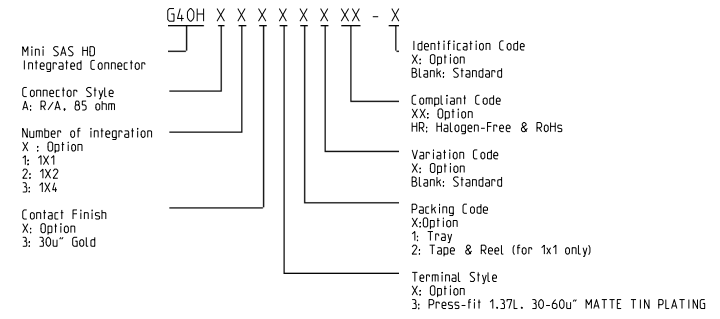
ORIGINAL

REVISIONS				
SYM	ECN No.	DESCRIPTION	DATE	BY
A	NE-16051	RELEASE TO PRODUCTION	03/02/2016	JOAN LU
B	NE-17047	1.UPDATED FINISHED HOLE SIZE FROM 0.73 TO 0.72 2.UPDATED SCREW LENGTH IN NOTE	03/14/2017	JOAN LU

This document is the property of Amphenol Corporation and is delivered on the express condition that is not to be disclosed, reproduced or used, in whole or in part, for manufacture or sale by anyone other than Amphenol Corporation without its prior consent, and that no right is granted to disclose or to use any information in this document.

The marking on this product doesn't contain environmental hazardous materials per Material Specification SS-00259 for Sony GP compliant or per directive 2011/65/EU for RoHS compliant or per IEC 61249-2-21 for Halogen-Free compliant.

PART NUMBER SYSTEM



RECOMMENDED PCB LAYOUT
ALL TOLERANCES ARE ±0.05

NOTES:

- INSULATOR: HIGH TEMPERATURE THERMOPLASTIC UL94V-0, COLOR: BRACKET/NC, HOUSING/BK CONTACT AREA: OPTION TAIL AREA: 30-60u" MATTE TIN PLATING UNDER PLTING.: NICKEL 100u" MIN.
- BACK-SHELL: STAINLESS STEEL
- MOUNTING HARDWARE: M2X0.8 SELF THREADING SCREW MOUNTING SCREW LENGTH: PCB THICKNESS + 2.5MM-3.65MM.
- THIS PRODUCT DOESN'T CONTAIN ENVIRONMENTAL HAZARDOUS PER DIRECTIVE 2011/65/EU FOR RoHS COMPLIANT AND PER IEC 61249-2-21 FOR HALOGEN-FREE COMPLIANT.

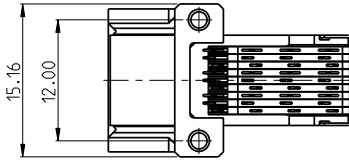
TOLERANCE	DRAWN	APPROVALS	DATE	TITLE	Amphenol® Amphenol Corporation Amphenol Taiwan Corporation							
X.	DESIGNED	Joan Lu	03/14/2017	MINI SAS HD INTEGRATED CONNECTOR 0.75 PITCH, R/A, PRESS FIT TYPE, 85Ω	UNIT	mm	SIZE	PART No.	G40HAXXXHR			
X.X ±0.30	CHECKED	Sondra Sang	03/14/2017									
X.XX ±0.20	APPROVED	Hank Hsu	03/14/2017									
X.XXX ±0.10	DWG TYPE	CUST DWG	PROJECT CODE	1541	SCALE	NA	SHEET	1 OF 2	DWG No.	G40HAXXXHR	REV.	B
ANGULAR ±2°	UNLESS OTHERWISE SPECIFIED											

This document is the property of Amphenol Corporation and is delivered on the express condition that it is not to be disclosed, reproduced or used, in whole or in part, for manufacture or sale by anyone other than Amphenol Corporation without its prior consent, and that no right is granted to disclose or to use any information in this document.

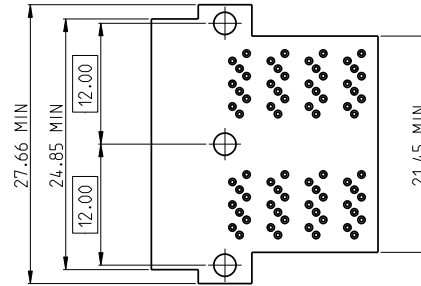
The marking on this product doesn't contain environmental hazardous materials per Material Specification SS-00259 for Sony GP compliant or per directive 2011/65/EU for RoHS compliant or per IEC 61249-2-21 for Halogen-Free compliant.

ORIGINAL

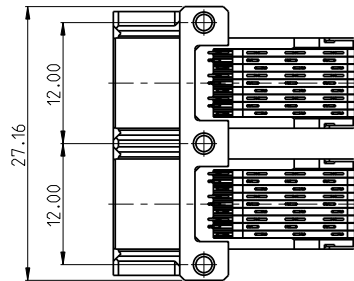
REVISIONS				
SYM	ECN No.	DESCRIPTION	DATE	BY
A	NE-16051	RELEASE TO PRODUCTION	03/02/2016	JOAN LU
B	NE-17047	1.UPDATED FINISHED HOLE SIZE FROM 0.73 TO 0.72 2.UPDATED SCREW LENGTH IN NOTE	03/14/2017	JOAN LU



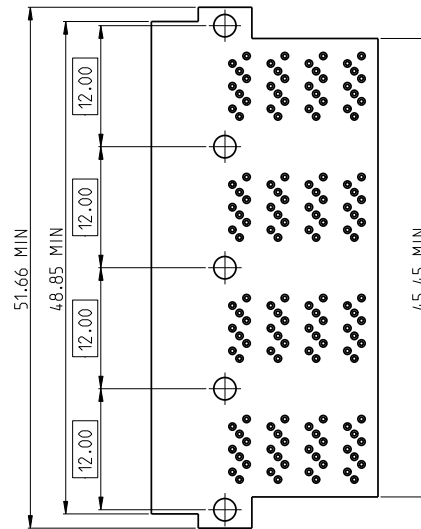
1x1 INTEGRATED CONNECTOR



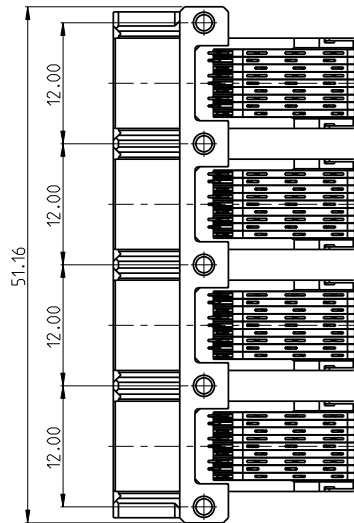
1x2 RIGHT ANGLE INTEGRATED HD CONNECTOR FOOTPRINT



1x2 INTEGRATED CONNECTOR



1x4 RIGHT ANGLE INTEGRATED HD CONNECTOR FOOTPRINT



1x4 INTEGRATED CONNECTOR

NOTES:

1. RECOMMENDED DRILL SIZE FOR $\varnothing 0.37$ FINISHED PTH IS $\varnothing 0.457$ (#77 DRILL)
2. RECOMMENDED ANNULAR RING AROUND $\varnothing 0.37$ FINISHED PTH IS $\varnothing 0.72$
3. MINIMUM PCB THICKNESS: 1.57MM

TOLERANCE	DRAWN	APPROVALS	DATE	TITLE	Amphenol® Amphenol Corporation Amphenol Taiwan Corporation		
X. X.X ±0.30 X.XX ±0.20 X.XXX ±0.10	DESIGNED			MINI SAS HD INTEGRATED CONNECTOR 0.75 PITCH, R/A, PRESS FIT TYPE, 85Ω	UNIT	SIZE	PART No.
ANGULAR ±2°	CHECKED				mm	A3	
UNLESS OTHERWISE SPECIFIED	APPROVED				SCALE	SHEET	DWG No.
	DWG TYPE	CUST DWG	PROJECT CODE	1541	NA	2 OF 2	REV. B