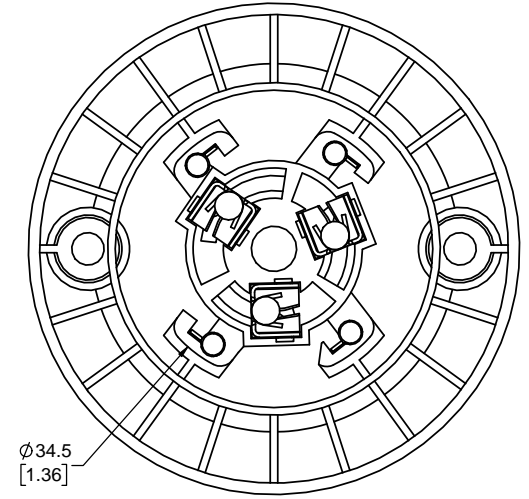
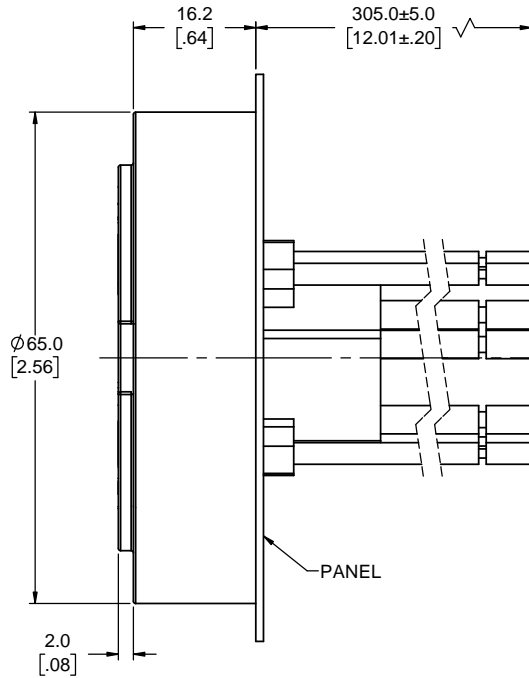
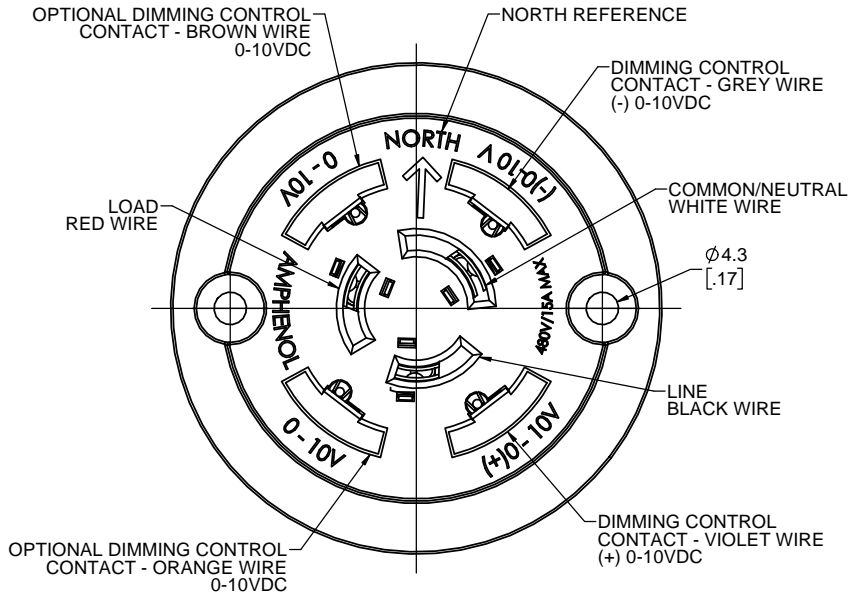
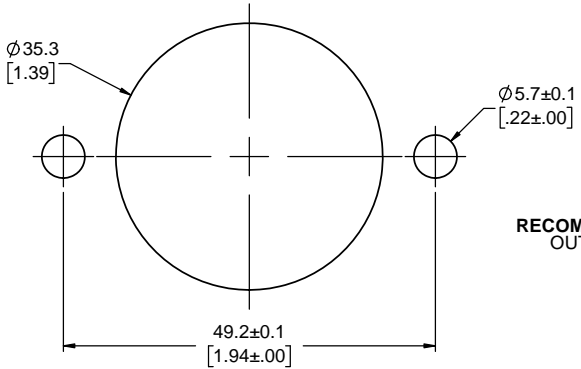


**PART NUMBER FLA-4141-30 SHOWN**



REVISIONS			
REV	DESCRIPTION, ECN, EAR NO.	DATE	APP'D
A	PROPOSAL DRAWING	NOV14/18	S.M.



**RECOMMENDED PANEL CUTOUT**  
 OUTSIDE VIEW OF PANEL

**ORDERING CODE:**

**FLA - X XX X - XX**

- SERIES, FLA \_\_\_\_\_
- NUMBER OF DIMMABLE CONTACTS  
 0 = NO DIMMABLE CONTACTS  
 2 = 2 DIMMABLE CONTACTS  
 4 = 4 DIMMABLE CONTACTS
- POWER CONTACT WIRE GAUGE  
 14 = 14 AWG  
 16 = 16 AWG
- OPERATING TEMPERATURE  
 1 = -55 TO 105°C - UL AWM STYLE WIRE 1015 - 105°C 600VAC  
 2 = -55 TO 150°C - UL AWM STYLE WIRE 3289 - 150°C 600VAC
- CONNECTOR WIRE LENGTH  
 30 = 305mm

- FLA-0141-30
- FLA-2141-30
- FLA-4141-30
- FLA-0142-30
- FLA-2142-30
- FLA-4142-30

**NOTES:**

- MATERIALS: ALL MATERIALS ARE RoHS COMPLIANT PER EU DIRECTIVE 2011/65/EU & AMENDMENTS.
  - HOUSING: ENGINEERING THERMOPLASTIC, UL FLAMMABILITY RATING 94V-0, COLOUR BLACK
  - POWER CONTACT: COPPER ALLOY, PLATED WITH TIN OVER NICKEL
  - DIMMABLE CONTACT: COPPER ALLOY, PLATED WITH 0.76µm (30µ") GOLD OVER 1.27µm (50µ") NICKEL, DRY LUBRICANT APPLIED TO CONTACT SURFACE AFTER PLATING.
  - POWER CONTACT WIRE: COPPER WITH PVC INSULATION, UL 10070, 14 OR 16 AWG
  - DIMMABLE CONTACT WIRE: COPPER WITH PVC INSULATION, UL 10070, 18 AWG
- ELECTRICAL CHARACTERISTICS:
  - HIGH VOLTAGE CURRENT: 15A
  - DIMMABLE CONTROL: 0 - 10V
  - OPERATING VOLTAGE: 480V
- SPECIFICATIONS:
  - ANSI C136-41-2017
  - ANSI C136-10-2010
  - UL 773



**AMPHENOL PART NUMBER FLA-XXXX-XX**

UNLESS SPECIFIED OTHERWISE	DRAWN	B.COPPING	NOV14/18
PRIMARY UNITS MILLIMETERS	CHECKED	S.MUGAN	NOV14/18
SECONDARY INCHES	M.E. APP'D		
REFERENCE IN PARENTHESES	Q.A. APP'D		
GENERAL TOLERANCES	DWG APPR.		
1 DECIMAL PLACE ±0.3	ENG. REL. NO.		
2 DECIMAL PLACES	REF.		
3 DECIMAL PLACES			
ANGULAR DEGREES	THIRD ANGLE PROJECTION		

**Amphenol Canada Corp.**  
 www.amphenolcanada.com

**FLA SERIES, DIMMING CONTROL, LOCKING TYPE RECEPTACLE, RoHS COMPLIANT**

P-FLA-XXXX-XX

CODE ID NO. 03554 DWG SIZE: X SCALE: 2:1 SHEET 1 OF 1