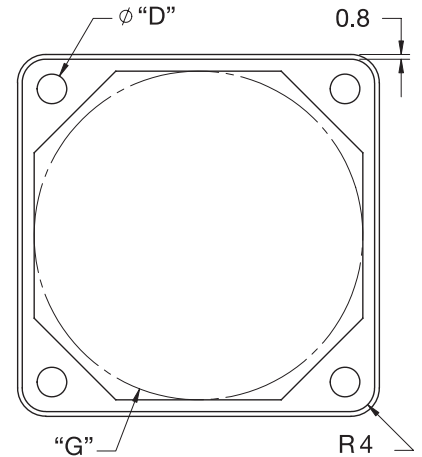
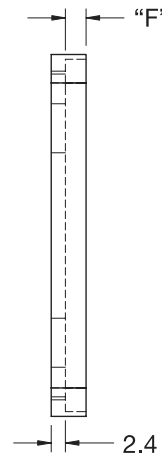
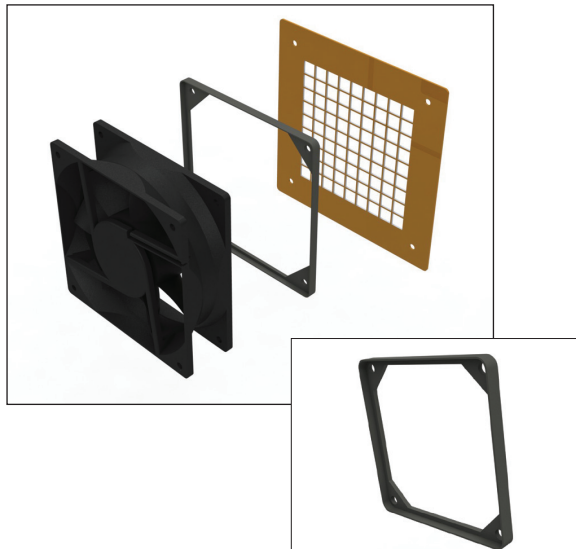




FGA - Fan Gasket

11/2010-1



■ PRODUCT DATA:

Material: Silicone Rubber,40 Shore A, RMS-101 Color: Black						
Standard Pack: 100 per bag						
Part No.	Fan Size	Fan Hole Spacing	„D“	„F“	„G“	Ref.
FGA-40	40	32	4.5	3.5	36	
FGA-50	50	40				
FGA-60	60	50	5	4	56	
FGA-70	70	61.5			66	
FGA-80	80	71.5			75	
FGA-92	92	82.5			87	
FGA-120	120	105			115	

■ FEATURES & BENEFITS:

- Seals the area between the fan and the chassis
- Helps to absorb the shock and vibration caused by the fan, improving efficiency
- Easily fits over the fan and stays in place while mounting the fan to the chassis

■ OTHER RICHCO PRODUCT SOLUTIONS:



RCOFM



FMM



FMB



FMPT