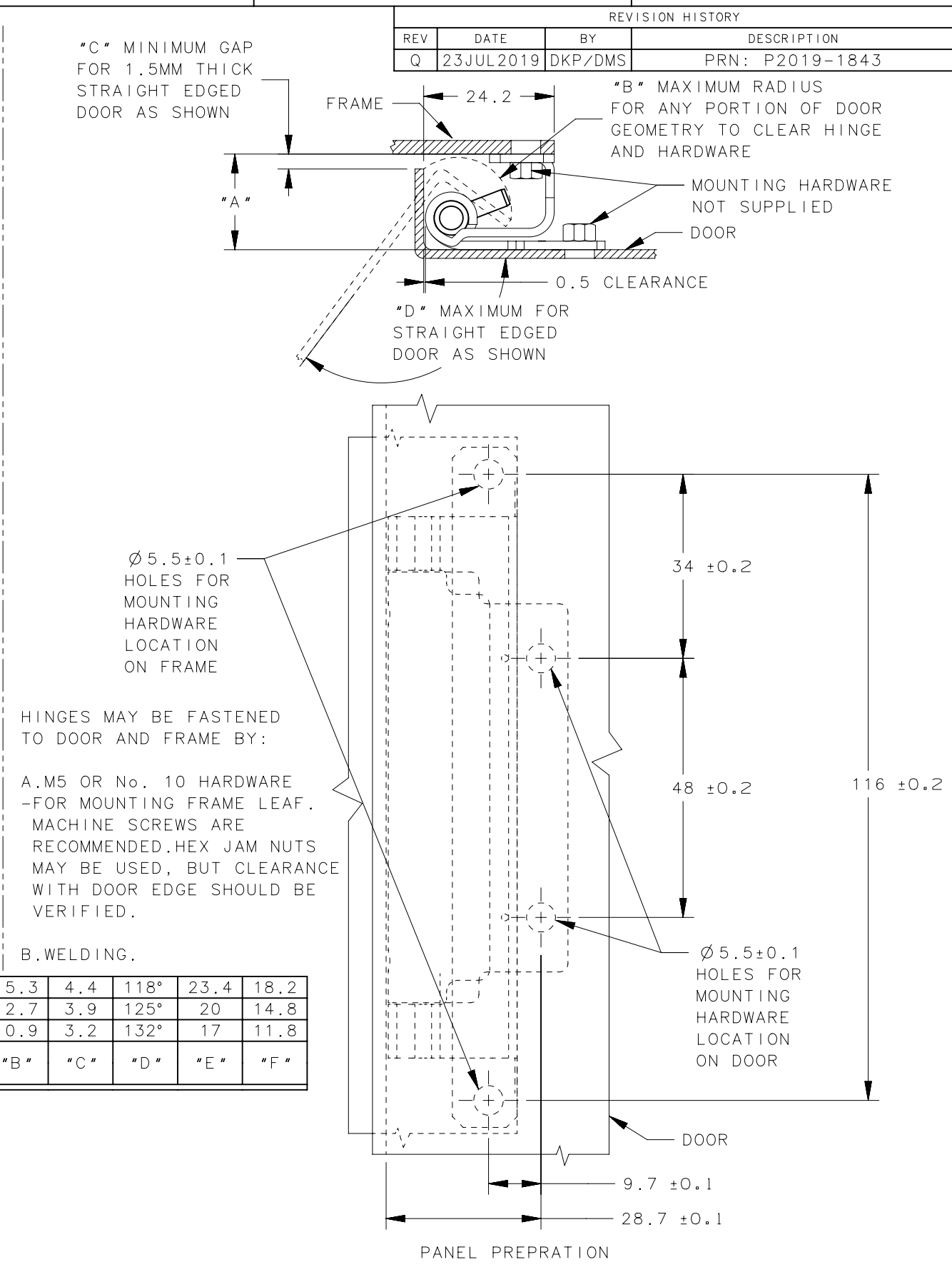
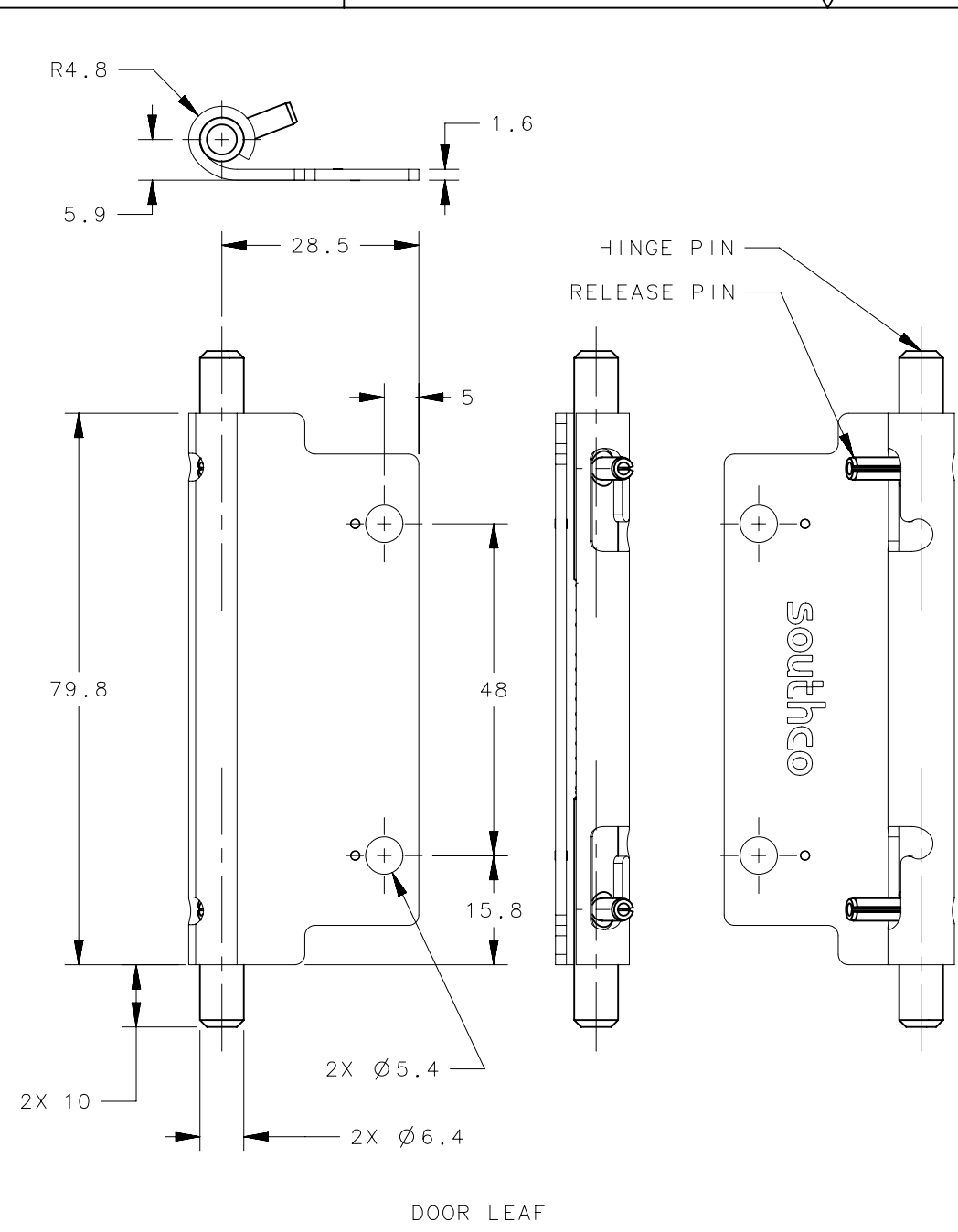
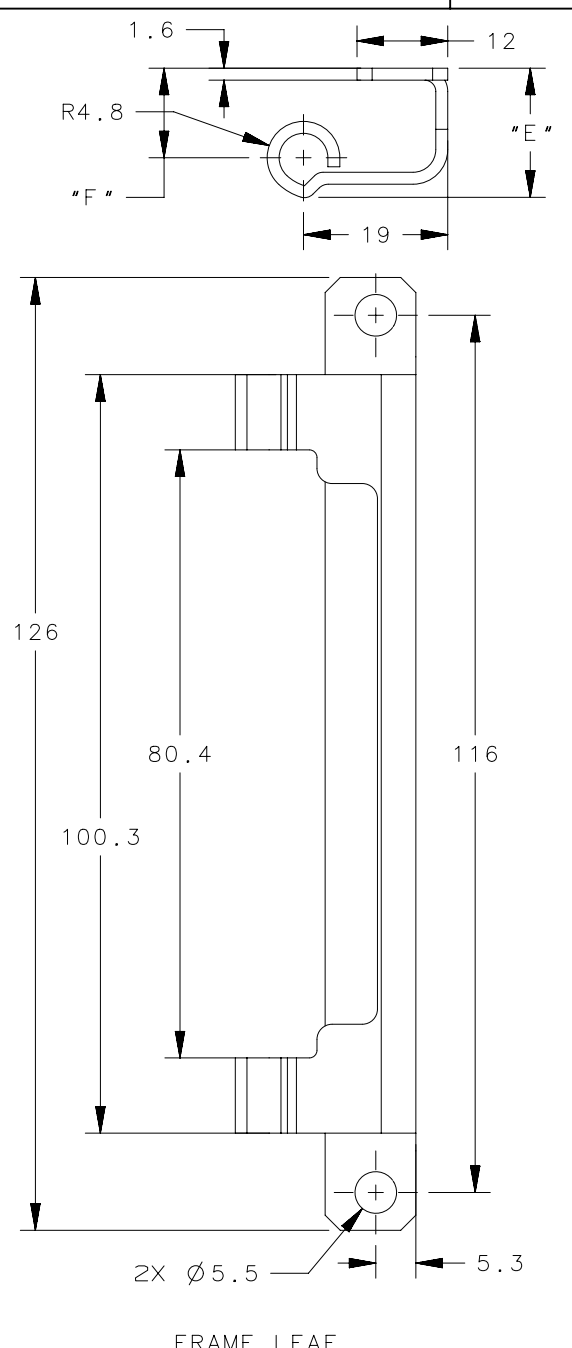


REVISION HISTORY			
REV	DATE	BY	DESCRIPTION
Q	23JUL2019	DKP/DMS	PRN: P2019-1843



C MINIMUM GAP FOR 1.5MM THICK STRAIGHT EDGED DOOR AS SHOWN

HINGES MAY BE FASTENED TO DOOR AND FRAME BY:
 A.M5 OR No. 10 HARDWARE -FOR MOUNTING FRAME LEAF. MACHINE SCREWS ARE RECOMMENDED. HEX JAM NUTS MAY BE USED, BUT CLEARANCE WITH DOOR EDGE SHOULD BE VERIFIED.
 B.WELDING.

ASSEMBLY PART NUMBER (SEE NOTE 3)	FRAME PART NUMBER (SEE NOTE 4)	DOOR LEAF PART NUMBER (SEE NOTE 4)	"A"	"B"	"C"	"D"	"E"	"F"			
F6-3	F6-3-1	F6-903	F6-903-1	F6-940	F6-940-1	24	15.3	4.4	118°	23.4	18.2
F6-2	F6-2-1	F6-902	F6-902-1	F6-940	F6-940-1	20.6	12.7	3.9	125°	20	14.8
F6-1	F6-1-1	F6-901	F6-901-1	F6-940	F6-940-1	17.6	10.9	3.2	132°	17	11.8
STEEL	STAINLESS STEEL	STEEL	STAINLESS STEEL	STEEL	STAINLESS STEEL						

- NOTE:
- TWO HINGE MINIMUM REQUIRED ON A DOOR.
 - MATERIALS AND FINISHES (STEEL VERSION):
 - FRAME LEAF AND DOOR LEAF: 1010 STEEL, ZINC PLATE, CHROMATE DIP
 - HINGE PINS: STEEL, ZINC PLATE, CHROMATE DIP.
 - RELEASE PINS: 420 STAINLESS STEEL, PASSIVATED.
 - INTERNAL SPRING: TYPE 302 STAINLESS STEEL, PASSIVATED.
 - MATERIALS AND FINISHES (STAINLESS STEEL VERSION):
 - FRAME LEAF AND DOOR LEAF: TYPE 304 STAINLESS STEEL, PASSIVATED.
 - HINGE PINS: TYPE 303 STAINLESS STEEL, PASSIVATED PLUS CLEAR ORGANIC COATING.
 - RELEASE PINS: 420 STAINLESS STEEL, PASSIVATED.
 - INTERNAL SPRING: TYPE 302 STAINLESS STEEL, PASSIVATED.
 - THESE PART NUMBERS SPECIFY ASSEMBLIES PACKAGED 1 FRAME LEAF AND 1 DOOR LEAF PER BAG.
 - THESE PART NUMBERS SPECIFY BULK PACKAGED PARTS FOR ONE COMPLETE ASSEMBLY, ORDER 1 FRAME LEAF AND 1 DOOR LEAF.

THIRD ANGLE PROJECTION	 CONNECT · CREATE · INNOVATE		
TOLERANCES UNLESS OTHERWISE NOTED	DESCRIPTION		
ALL DIMENSIONS WITHOUT TOLERANCES ARE FOR REFERENCE ONLY.	F6 CONCEALED HINGE ASSEMBLY		
PROPRIETARY ITEM	SIZE	SYSTEM	DWG NO.
EXCEPT FOR USES EXPRESSLY GRANTED IN WRITING, INFORMATION DISCLOSED HEREON IS CONFIDENTIAL AND ALL RIGHTS, PATENT AND OTHERWISE, ARE RESERVED BY SOUTHCO, INC.	A3	NX	J-F6-1
PER ASME Y14.5M-1994	DRAWN BY	DATE	SCALE
	RES	21MAR1994	1:1
			SHEET
			1 OF 1