

MICRO SWITCH
 FREEPORT, ILLINOIS, U.S.A.
 A DIVISION OF HONEYWELL
 FED. MFG. CODE 91929

SWITCH-ENCLOSED

CATALOG LISTING
EXH-Q26-2

EXH-Q26-2

M

NUMBER

ISSUE

5

REPLACES

PR-15635

03DEC09

CMH

CHECK

27APR05

AK

CHECK

10 JUN 87

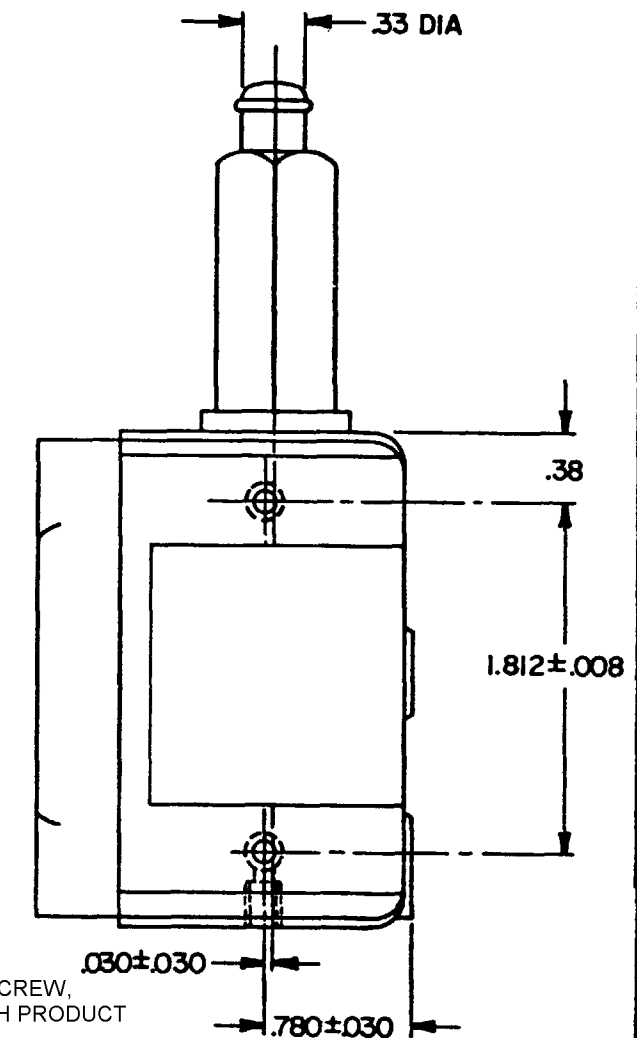
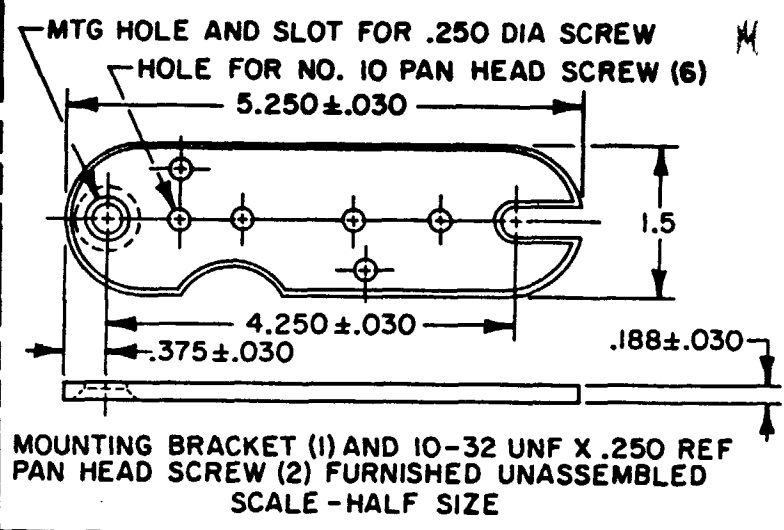
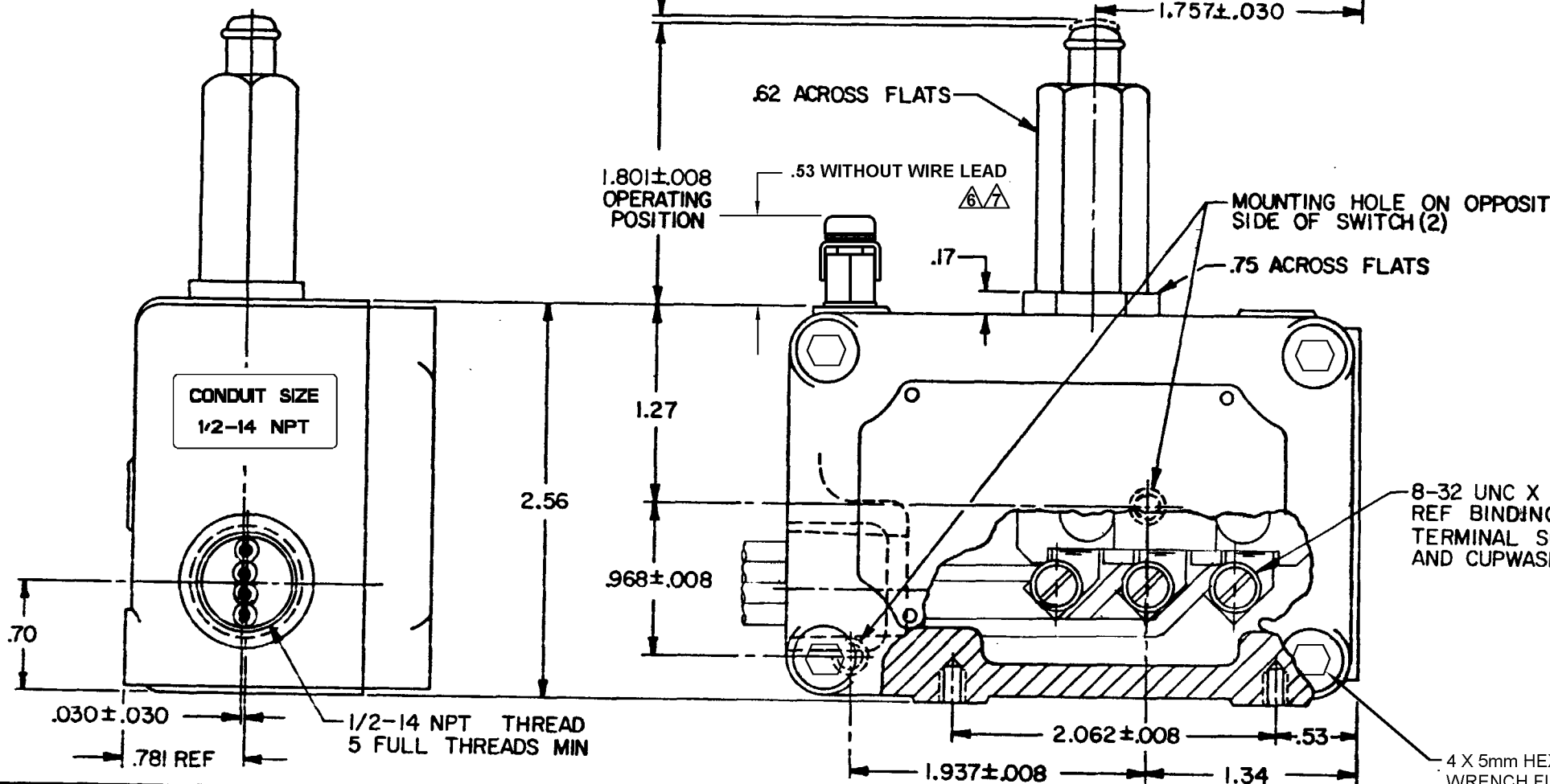
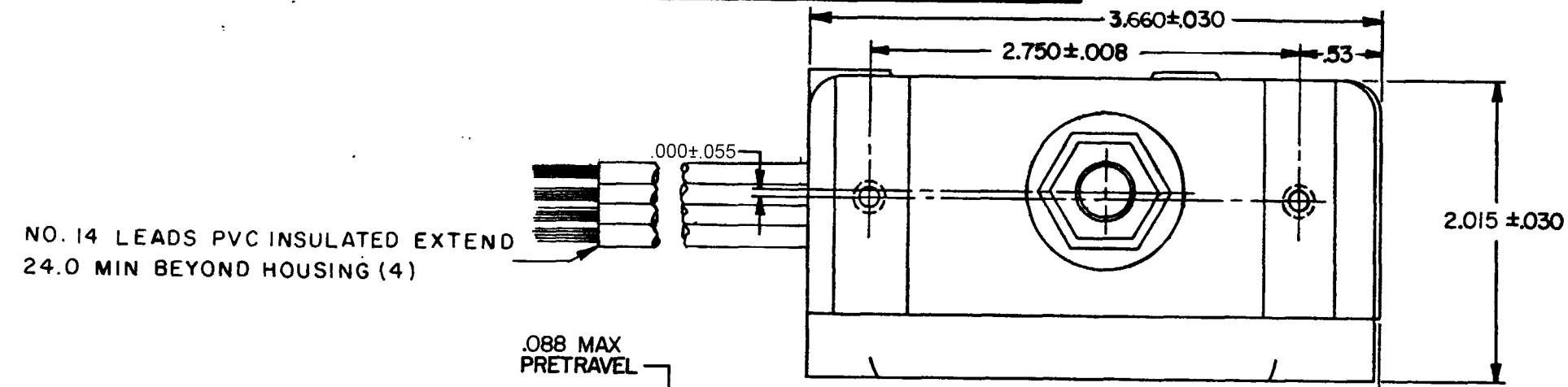
CHECK

8 JUN 87

TPS

REV ISONS

A	C03019	19 SEP 92
B	0012750	09MAY05
C	0017245	28 NOV 05
D	0059237	03DEC09



THIS DRAWING COVERS A PROPRIETARY ITEM AND IS THE PROPERTY OF MICRO SWITCH, A DIVISION OF HONEYWELL. THIS DRAWING IS NOT TO BE COPIED OR USED WITHOUT THE APPROVAL OF MICRO SWITCH.

CHARACTERISTICS

OPERATING FORCE ----- 3 LB MAX

RELEASE FORCE ----- 4 OZ MIN

DIFFERENTIAL TRAVEL ----- .020 MAX

OVERTRAVEL ----- .141 MIN

SWITCH BASIC REPLACEMENT ----- IHS205

ELECTRICAL DATA

CONTACT ARRANGEMENT
 S P D T

LINE VOLTAGE	INDUCTIVE LOAD	RESISTIVE LOAD
28 VDC (SEA LEVEL-100,000 FT)	10 AMP	25 AMP
125 VAC (SEA LEVEL-70,000 FT)	1 AMP	1 AMP

CODE L22 1A-125 VAC

SCALE FULL

DO NOT SCALE PRINT

TOLERANCES
 APPLY TO DIMENSION UNITS. CONVERSIONS ARE ONLY FOR REFERENCE. UNLESS NOTED, TOLERANCES ARE 2

DIM.	TOL.	DIM.	TOL.
mm	mm/100	in	in/100
NO PLACES	±	1/16	±
ONE PLACE	±	0.015	±
TWO PLACES	±	0.005	±
THREE PLACES	±	0.001	±

DESIGN UNITS METRIC US CUSTOMARY

THIRD ANGLE PROJECTION

WEIGHT

- NOTES**
- 1 MOUNTING SCREW HOLE, 10-32 UNF THREAD X .219 REF. DEEP (8)
 - 2 EXPLOSION PROOF - UNDERWRITER'S LAB, INC. LISTING FOR HAZARDOUS LOCATIONS NEMA 7, CLASS I, GROUPS B,C AND D, NEMA 9, CLASS II, GROUPS E, F AND G
 - 3 COMMON - BLACK LEAD; NORMALLY OPEN - BLUE LEAD; NORMALLY CLOSED - RED LEAD; GROUND - GREEN LEAD
 - 4 EUROPEAN HAZARDOUS LOCATIONS DESIGNATION: Ex dIIB + H2 T6 CATAGORY II 2 G
 - 5 SEAL RATING : NEMA 1
- ▲ EXTERNAL GROUND SCREW MAY BE ASSEMBLED TO ANY UNUSED MOUNTING SCREW HOLE ASSEMBLE PROVIDED SPLIT LOCKWASHER BETWEEN GROUND LUG AND HOUSING

RASTER