

### INTRODUCTION:

Adam Tech Crimp and Poke D-Sub connectors are a popular interface for many I/O applications. Offered in 9, 15, 25, 37 and 50 positions they are a low cost alternative to soldering a connector to cable. Contacts are crimped onto discrete wires and pushed into the connector body. The connector is comprised of a metal shell and plastic insulator and is available with a variety of mating options. The contacts are precision stamped and are available in a variety of platings.

### FEATURES:

- Low cost no solder alternative
- Industry standard compatibility
- Durable metal shell design
- Precision formed contacts
- Variety of Mating and mounting options

### MATING CONNECTORS:

Adam Tech D-Subminiatures and all industry standard D-Subminiature connectors.

### SPECIFICATIONS:

#### Material:

Insulator: PBT, 30% glass reinforced, rated UL94V-0  
 Insulator Color: Black  
 Contacts: Phosphor Bronze  
 Shell: Steel, Tin or Zinc plated  
 Hardware: Brass, Nickel plated

#### Contact Plating:

Gold over Nickel underplate on contact area.

#### Electrical:

Operating voltage: 250V AC / DC max.  
 Current rating: 5 Amps max.  
 Contact resistance: 20 mΩ max. initial  
 Insulation resistance: 5000 MΩ min.  
 Dielectric withstanding voltage: 1000V AC for 1 minute

#### Mechanical:

Insertion force: 0.75 lbs max  
 Extraction force: 0.44 lbs min

#### Temperature Rating:

Operating temperature: -55°C to +105°C

#### PACKAGING:

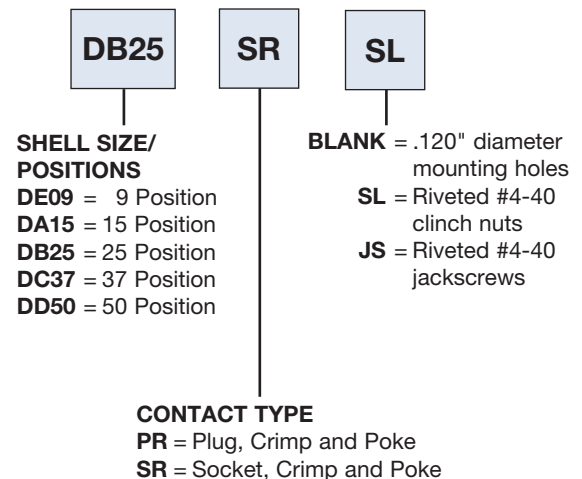
Anti-ESD plastic trays

#### APPROVALS AND CERTIFICATIONS:

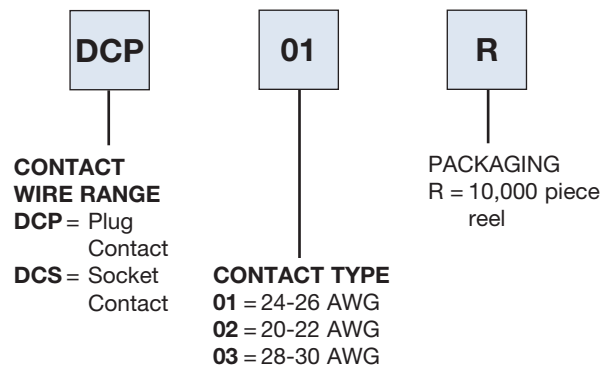
UL Recognized File no. E224053



### ORDERING INFORMATION HOUSING



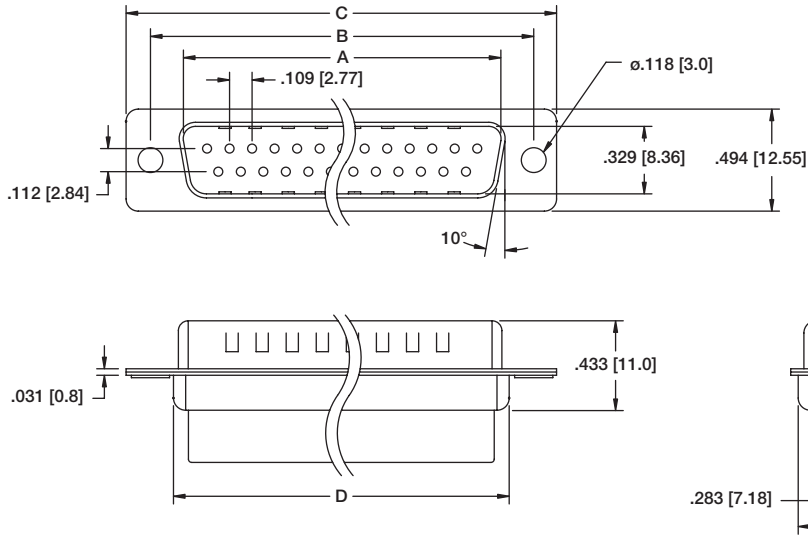
### CONTACTS



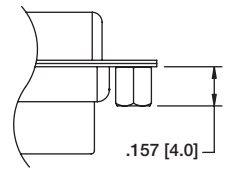
### OPTIONS:

Add designator(s) to end of part number  
**15** = 15 μin gold plating in contact area on crimp contacts  
**30** = 30 μin gold plating in contact area on crimp contacts

## PLUG HOUSING

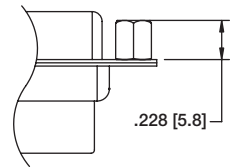
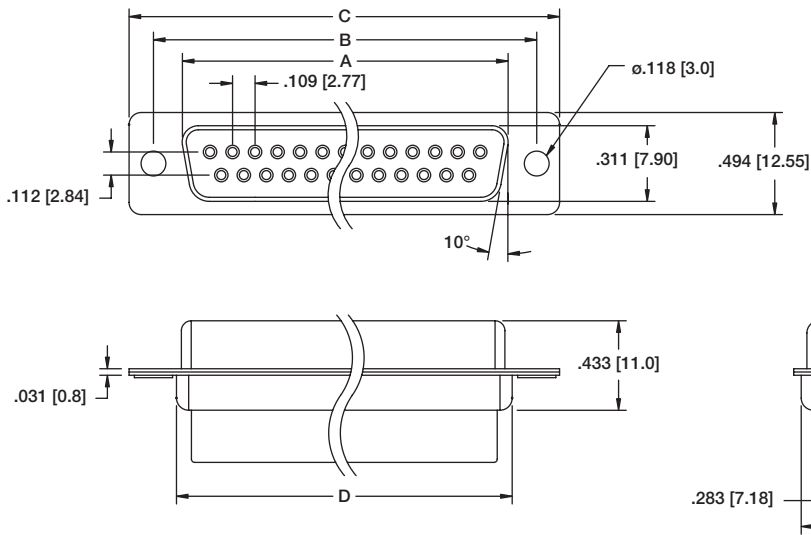


## MOUNTING OPTIONS



**SL Option**  
Bottom side riveted #4-40  
Clinch Nuts

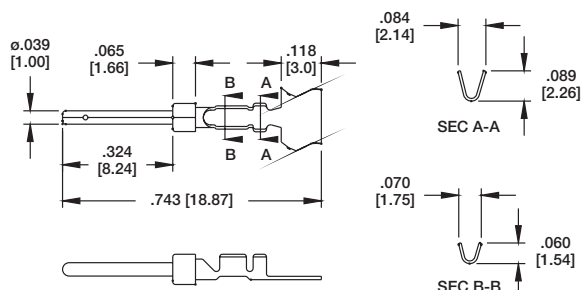
## SOCKET HOUSING



**JS Option**  
Top side riveted #4-40  
Jack Screws

See Dimension table pg. 77

## PLUG CRIMP CONTACTS



## SOCKET CRIMP CONTACTS

