

North America: Danboro, PA • E-mail: info@pemnet.com • Tel: +1-215-766-8853
Europe: Galway, Ireland • E-mail: europe@pemnet.com • Tel: +353-91-751714
Asia/Pacific: Singapore • E-mail: singapore@pemnet.com • Tel: +65-6-745-0660
 Shanghai, China • E-mail: china@pemnet.com • Tel: +86-21-5868-3688

Part # CLS-M3-2, Self-Clinching Nuts - Types S, SS, CLS, CLSS, SP - Metric

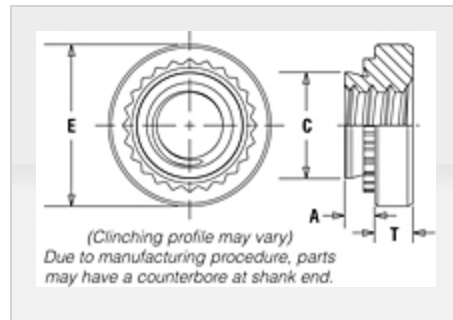
Type S, SS, CLS, and CLSS nuts provide load-bearing threads in thin sheets with high pushout and torque-out resistance.

Type SP, PEM 300® nuts provide strong load-bearing threads in stainless steel sheets as thin as .030".

Types S / SS are recommended for use in steel or aluminum sheets HRB (Rockwell "B" scale) 80 or less and HB (Hardness Brinell) 150 or less.

Type SP is recommended for use in stainless steel sheets HRB (Rockwell "B" scale) 90 or less and HB (Hardness Brinell) 185 or

[+ more](#)



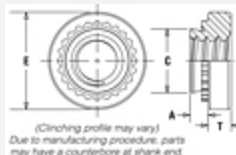
Specifications

Thread Size x Pitch M3 x 0.5

Thread Code M3

Shank Code 2

A (Shank) Max. 1.38 mm



Rec. Min. Sheet Thickness⁽¹⁾	1.4 mm
Hole Size in Sheet + 0.08	4.22 mm
C Max.	4.2 mm
E ± 0.25	6.35 mm
T ± 0.25	1.5 mm
Min. Dist. Hole C/L to Edge⁽²⁾	4.8 mm
For Use in Sheet Hardness⁽³⁾	HRB 70 / HB 125 or Less
Thread Specification	Internal, ASME B1.13M, 6H
Fastener Material	300 Series Stainless Steel
Standard Finish	Passivated and/or tested per ASTM A380
CAD Supplier	PennEngineering® (PEM®)

¹ For maximum performance, we recommend that you use the maximum shank length for your sheet thickness.

² To minimize sheet distortion and maximize product performance, use a centerline-to-edge value greater or equal to the value specified.

³ HRB - Hardness Rockwell "B" Scale. HB - Hardness Brinell.