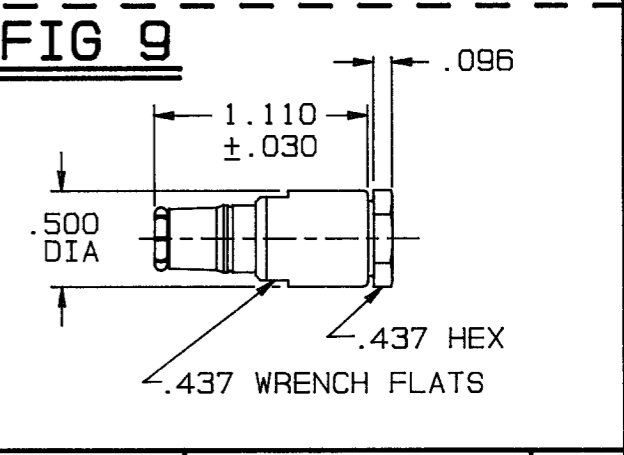
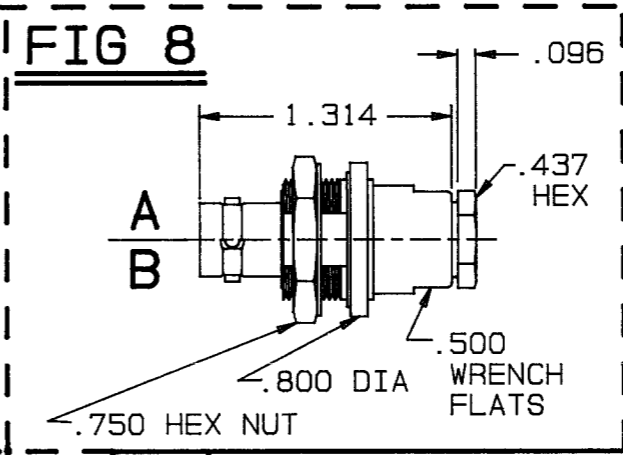
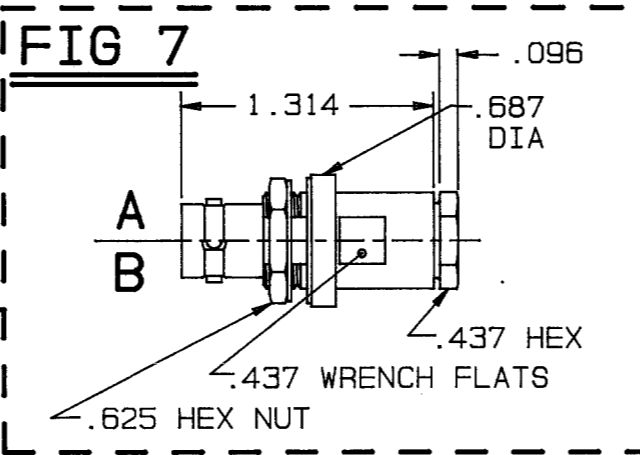
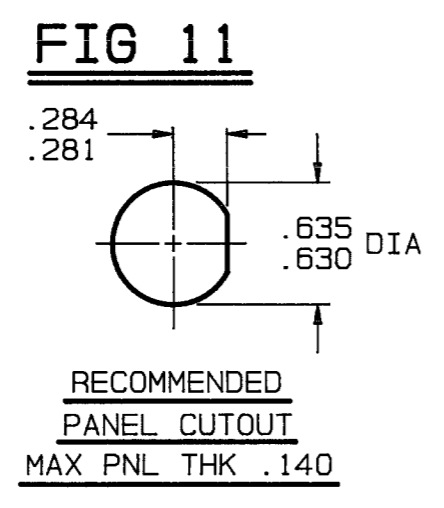
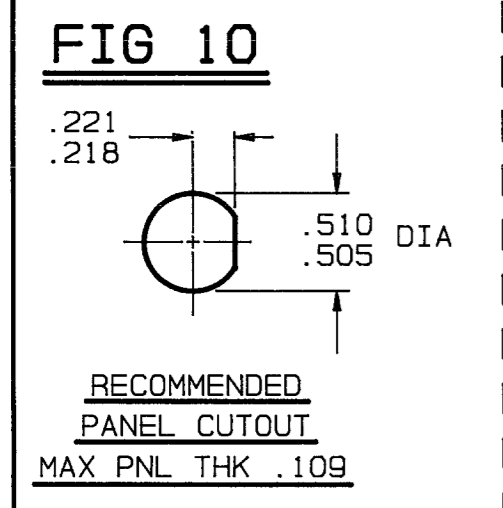
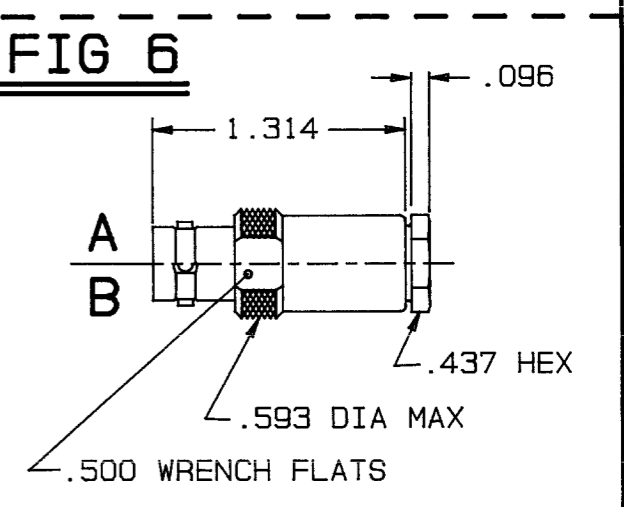
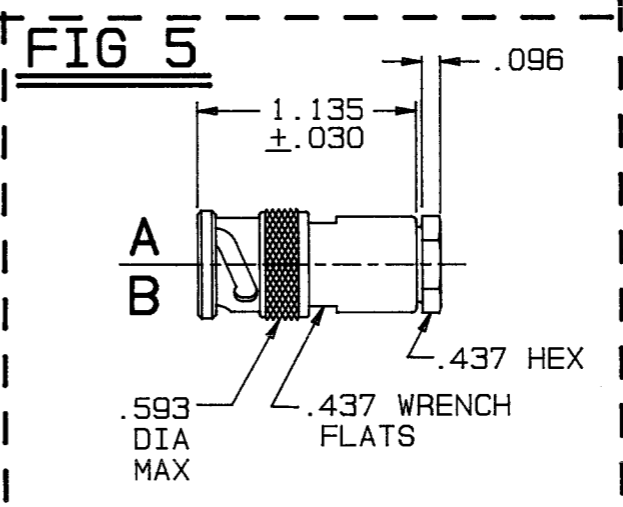
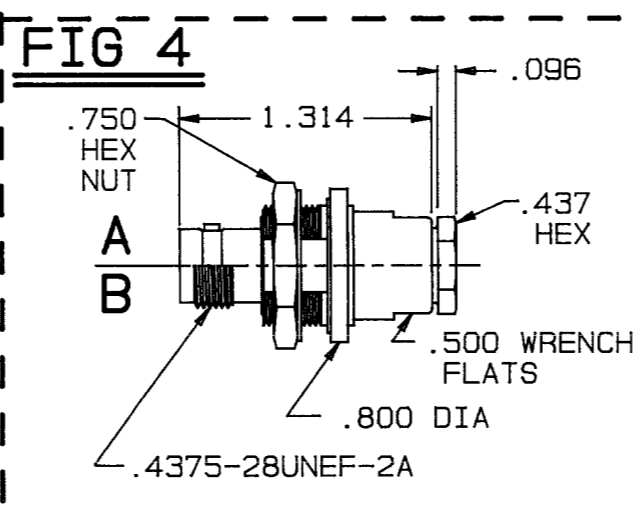
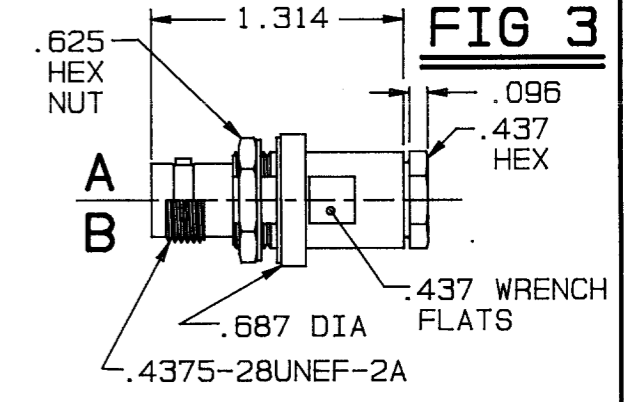
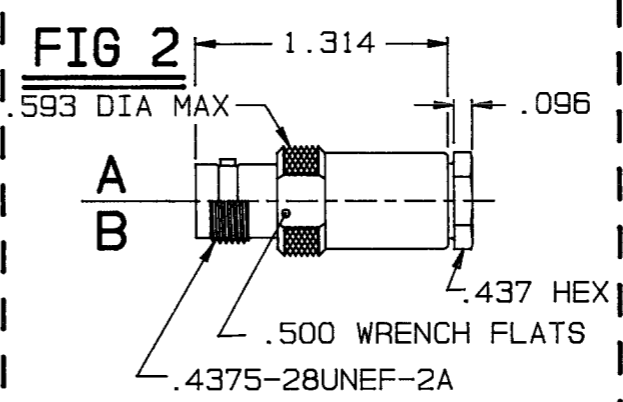
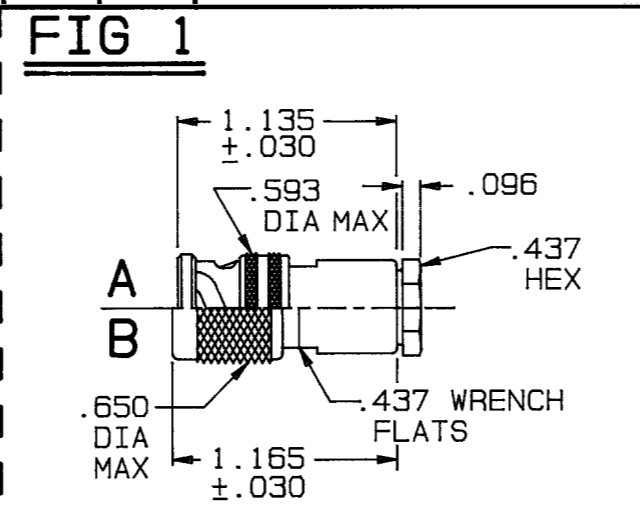


DASH NO	CONNECTOR TYPE	MATERIAL Δ	ASSEMBLE PER	FIG	MTG HOLE FIG
-1	PL75	310-0002-7	SEE SHEET 3	1A	—
-2	CJ70	3-0043-7		2A	—
-3	BJ79	3-0018-7		3A	10
-4	BJ74	3-0055-7		4A	11
-5	PL375	315-0011-7		1B	—
-6	CJ370	3-0066-7		2B	—
-7	BJ379	3-0074-7		3B	10
-8	BJ374	3-0073-7		4B	11
-9	PL74	310-0025-7		5A	—
-10	CJ70TL	3-0217-7		6A	—
-11	BJ79TL	3-0112-7		7A	10
-12	BJ74TL	3-0105-7		8A	11
-13	PL75FL	310-0006-7		5B	—
-14	CJ70FL	3-0101-7		6B	—
-15	BJ79FL	3-0052-7		7B	10
-16	BJ74FL	3-0099-7		8B	11
-17	PL73	310-0038-7		9	—

DISK # J13
 DWG SIZE B
 DATA CONTAINED IN THIS DOCUMENT IS PROPRIETARY TO TROMPETER ELECTRONICS INC. AND SHALL NOT BE DISCLOSED, COPIED OR USED FOR PROCUREMENT OR MANUFACTURE WITHOUT EXPRESS WRITTEN PERMISSION.

REVISIONS			305-0111		SH 1
REV	EO	DESCRIPTION	DWN	APPROVED	DATE
G	9158	REV NOTE Δ : WITH: REPLACE 8-1590-7, 8-2740-7, 8-1580-7 WITH -101, 8-1600-2, 8-1580-3	DKC	<i>E.E. K.S.</i>	1/25/91



Δ REPLACE THE FOLLOWING: WITH THE FOLLOWING:
 8-1590-7 CONE -101 CONE
 8-2740-7 CONE INSERT 8-1600-2 NOTCHED INSERT
 8-1580-7 CLAMP NUT 8-1580-3 CLAMP NUT

1. ALL DIM ARE IN INCHES
2. FINISH TFS-1A (NICKEL)
3. CONCENTRIC TWINAX/TRIAX, 2-LUG, 3-LUG, 4-LUG AND THREADED CABLE PLUGS/ RECEPTACLES, INSULATED & NONINSULATED BULKHEAD MOUNT RECEPTACLES & PUSH-ON CABLE PLUG FOR CABLE GROUP -1 WITH FLOATING OUTER SHIELD

QTY	DESCRIPTION	PART NUMBER	ITEM
TOL UNLESS SPECIFIED .XX ± .XXX ± .005 .XXXX ± ANGLES ±		TROMPETER ELECTRONICS, INC. "70" SERIES -1 WITH F.O.S.	
DWN	DKC 1-15-91		
CHK	<i>E.E.</i> 1-21-91	14949	DRAWING NO. 305-0111
ENGR	<i>R.S.</i> 1-23-91		REV G
APPR	<i>[Signature]</i> 1-25-91	SCALE —	DATE 7-23-74
NEXT ASSY			SHEET 1 OF 3