

HINGES & POSITIONING TECHNOLOGY

96 Hinge Lift-off · In-line · Zinc and stainless steel



- Allows for quick, easy door removal
- Door can also be permanently installed

Material and Finish

Zinc alloy, chrome plated, powder coated or stainless steel

Performance Details

Radial load

Max. static load:

Zinc alloy: 1300 N (300 lbf)

Stainless steel: 3000 N (670 lbf)

Axial Load

Max. static load:

Zinc alloy: 2200 N (500 lbf)

Stainless steel: 5000 N (1120 lbf)

Installation Notes

Screws not supplied.

Attach hinge with four M5 x 0.8

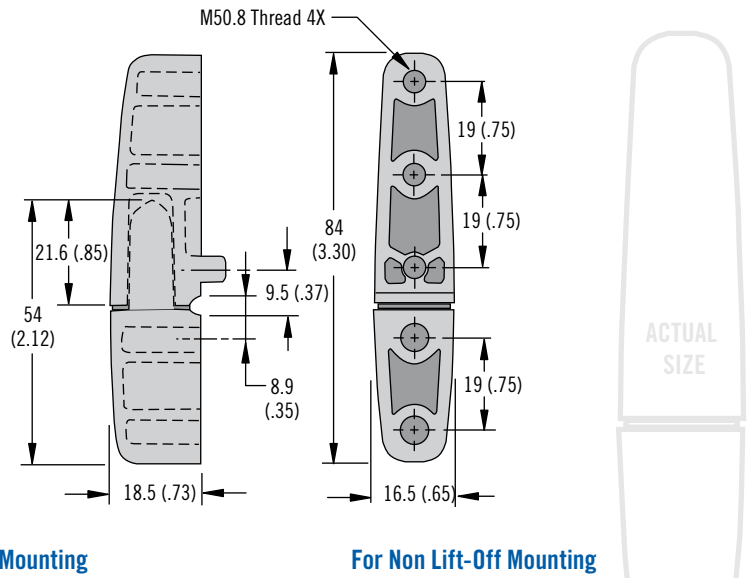
Max. screw length = door

(or frame) thickness + 10 (.400)

Part Number

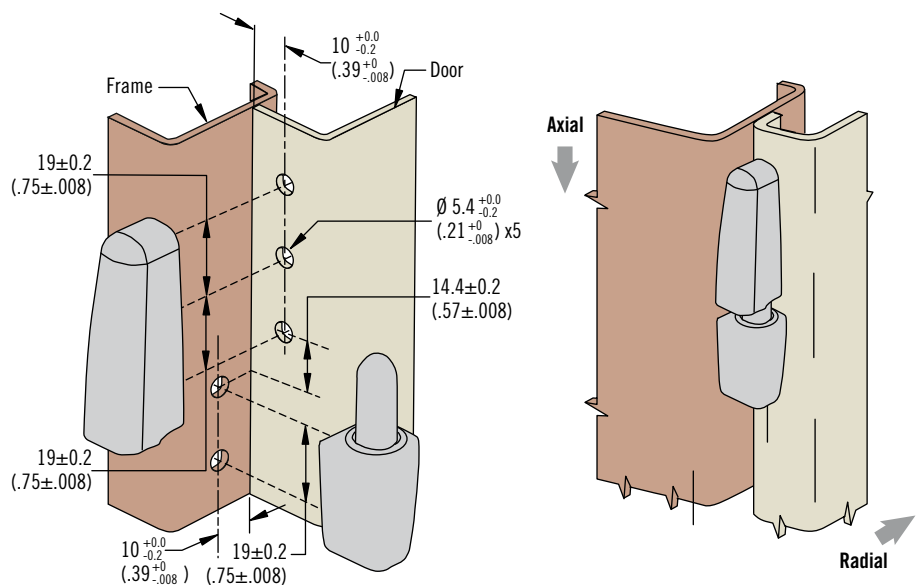
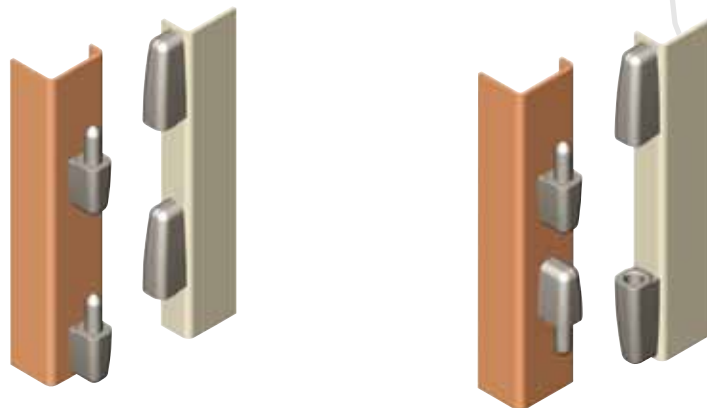
See table

Material & Finish	Part Number
Zinc alloy, bright chrome	96-MA-80-10
Zinc alloy, black powder coated	96-MA-80-50
Zinc alloy, satin chrome	96-MA-80-20
Stainless steel, polished	96-MA-80-24



For Lift-Off Mounting

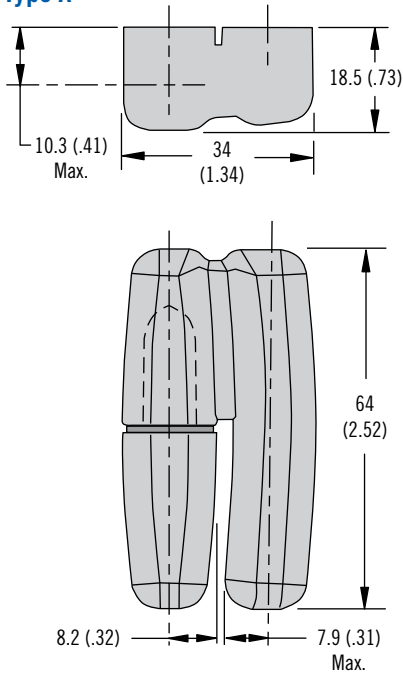
For Non Lift-Off Mounting



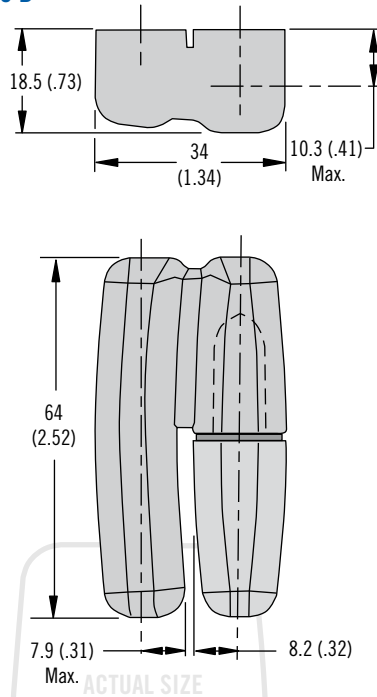
HINGES & POSITIONING TECHNOLOGY

96 Hinge Lift-off · Offset · Zinc and stainless steel

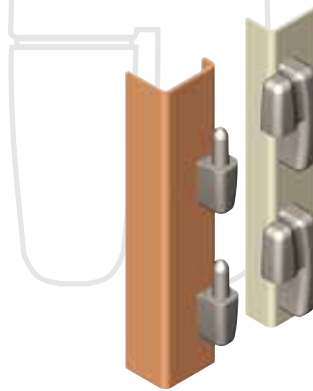
Type A



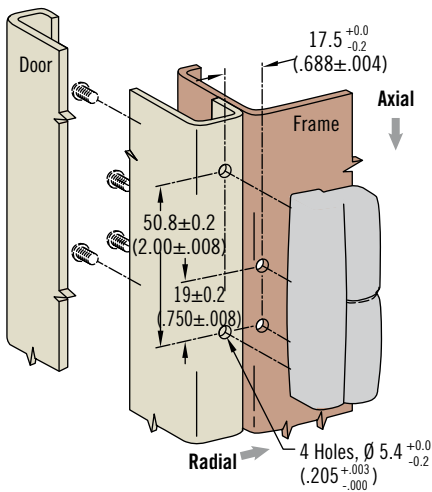
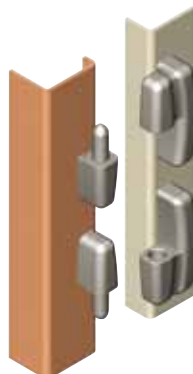
Type B



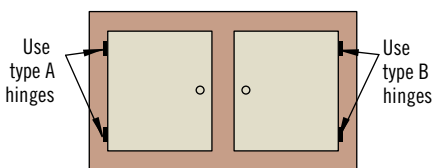
For Lift-Off Mounting



For Non Lift-Off Mounting



Type B shown



- Allows for quick, easy door removal
- Door can also be permanently installed

Material and Finish

Zinc alloy, chrome plated, power coated or stainless steel

Performance Details

Radial load

Max. static load:

Zinc alloy: 1300 N (300 lbf)

Stainless steel: 3000 N (670 lbf)

Axial Load

Max. static load:

Zinc alloy: 2200 N (500 lbf)

Stainless steel: 5000 N (1120 lbf)

Installation Notes

Screws not supplied.

Attach hinge with four M5 x 0.8

Max. screw length = door (or frame) thickness + 10 (.400)

Part Number

See table

Material & Finish	Part Number	
	Type A	Type B
Zinc alloy, bright chrome	96-MA-8A-10	96-MA-8B-10
Zinc alloy, black powder coated	96-MA-8A-50	96-MA-8B-50
Zinc alloy, satin chrome	96-MA-8A-20	96-MA-8B-20
Stainless steel, polished	96-MA-8A-24	96-MA-8B-24

