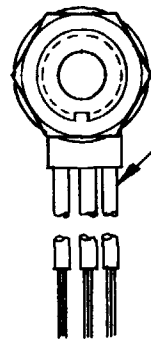
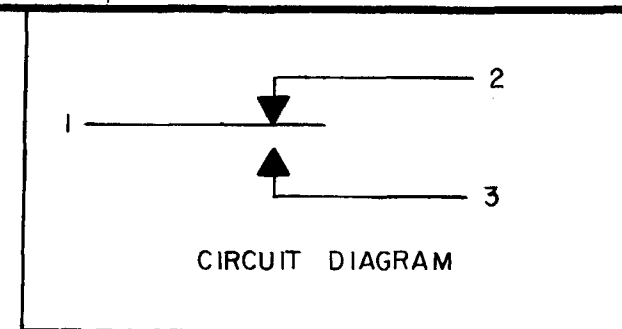


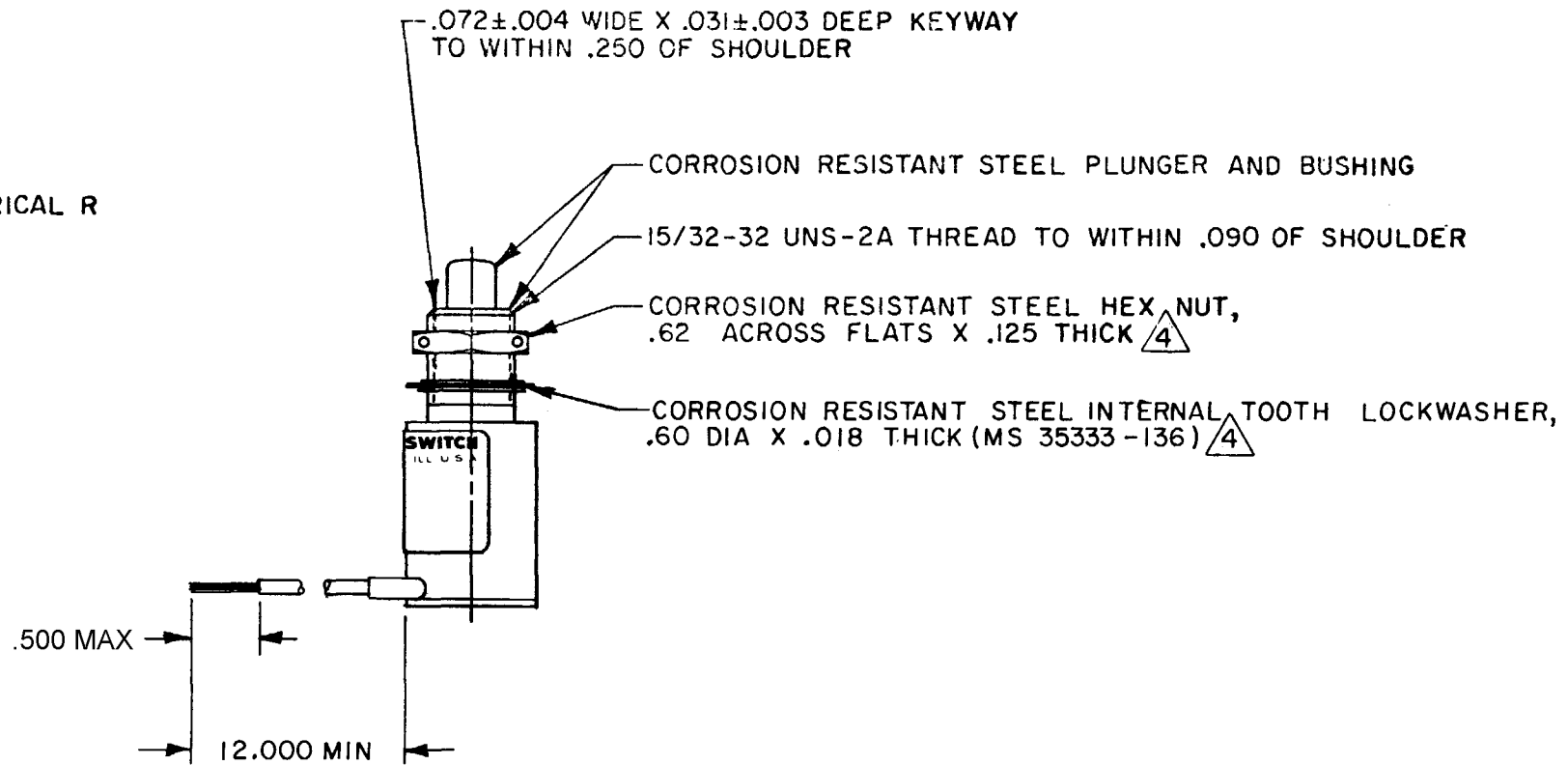
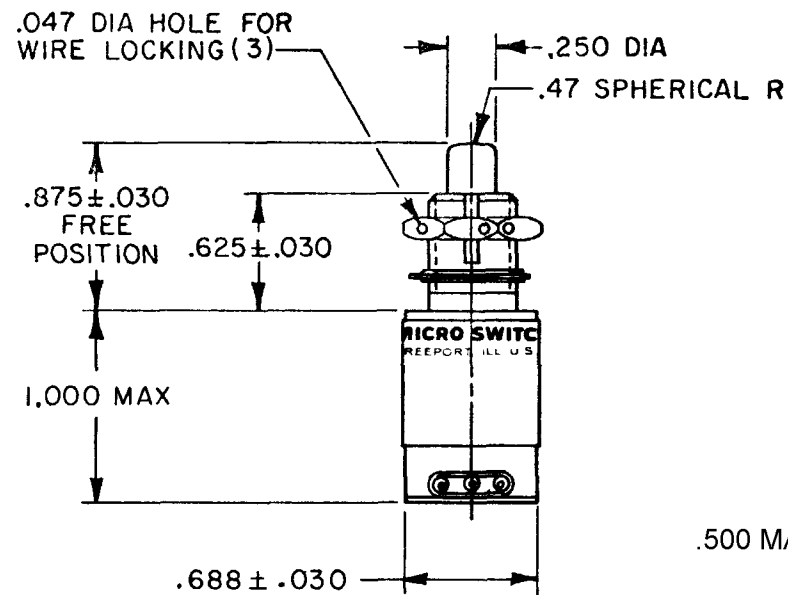
MICRO SWITCH
 FREEPORT ILLINOIS U.S.A.
 A DIVISION OF HONEYWELL
 FED. MFG. CODE 91929

SWITCH - ENCLOSED

CATALOG LISTING
602EN127-1



(3) NO. 18 WIRE LEAD PER MIL-W-22759/7,
 MARKED WITH CIRCUIT IDENTIFICATION
 AND WIRE GAGE (1-18, 2-18 ETC) PER MIL-W-5088



CATALOG LISTING
602EN127-1
 PAGE 1 OF 1
 REPLACES
 RELEASE NO. PR - 7085
 DRAWING NUMBER
 ISSUE 10
 REVISIONS
 A CO 44351 5 MAR 80
 B CO47573 J A P 7 AUG 80
 C CO 44713 6LH 28 OCT 80
 D CO49806
 E CO57370 J A P 25 SEPT 81
 F 202334 TSK 15 MAY 85
 G 0006620 CSL 13 FEB 01
 KSR 20JUL04
 RASTER FO-82851-A
 DRAWN
 S L B 5 MAR 80
 C E R
 S M A F B J
 C H E C K
 A K
 20JUL04

THIS DRAWING COVERS A PROPRIETARY ITEM AND IS THE PROPERTY OF MICRO SWITCH, A DIVISION OF HONEYWELL. THIS DRAWING IS NOT TO BE COPIED OR USED WITHOUT THE APPROVAL OF MICRO SWITCH.		THIRD ANGLE PROJECTION	SCALE FULL
CHARACTERISTICS		DO NOT SCALE PRINT	
OPERATING FORCE	6-12 LB	TOLERANCES	
FULL OVERTRAVEL FORCE	30 LB MAX	APPLY TO DESIGN UNITS. CONVERSIONS ARE ONLY FOR REFERENCE. UNLESS NOTED, TOLERANCES ARE ±	
RELEASE FORCE	4 LB MIN	DIM.	TOL.
PRETRAVEL	.040 MAX	mm	mm/in
DIFFERENTIAL TRAVEL	.020 MAX	in	in
OVERTRAVEL	.125 MIN	NO PLACES	X 1/04 X X 0.31/03
		ONE PLACE	X X 0.47/018 X XX 0.38/015
		TWO PLACES	X XX 0.15/006 X XXX 0.13/005
		THREE PLACES	X XXX
		ANGLES	
ELECTRICAL DATA		DESIGN UNITS	
CONTACT ARRANGEMENT		SIMETRIC <input type="checkbox"/> US CUSTOMARY <input checked="" type="checkbox"/>	
S P D T (1)		RAW MATERIAL - COMMERCIAL STANDARD	
28 VDC		MICRO SWITCH STANDARDS APPLY	
LOAD	SEA LEVEL 50,000 FT.	DIMENSIONS ARE TO BE MET BEFORE PROTECTIVE COATINGS ARE APPLIED	
RES	7 7	WEIGHT 3.1 OZ MAX	
IND	4 2.5		
MOTOR	4		
LAMP			

- NOTES
 1 - CORROSION RESISTANT STEEL ENCLOSURE
 2 - SWITCH SEALED PER MIL-PRF-8805 SYMBOL 4
 3 - CIRCUIT DIAGRAM AND CAT. LIST. ARE SHOWN ON NAMEPLATE
 (4) - HARDWARE MAY BE PACKAGED UNASSEMBLED PER MIL-PRF-8805