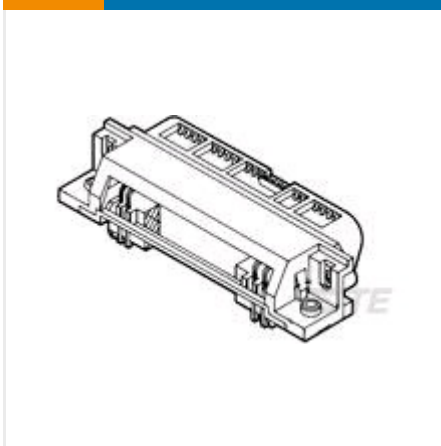




**+** CONNECTORS

PCB D-SUB CONNECTORS



✓ Active

TE CONNECTIVITY (TE)

## ASSY,RCPT,36 POSN,RTANG,PCB

CHAMP | CHAMP

5552742-1

TE Internal Number: 5552742-1

EU RoHS Compliant

EU ELV Compliant

**Connector Style** Receptacle

**Number of Positions** 36

**Centerline (Pitch)** 2.16 mm [ .085 in ]

**Number of Rows** 2

**Row-to-Row Spacing** .085

[↓](#) **PRODUCT DRAWING**  
English

[↓](#) **3D PDF**

### DOCUMENTATION

Product Drawings

#### **ASSEMBLY RECEPTACLE, 36 POSITION, RIGHT ANGLE, PRINTED CIRCUIT BOARD (CHAMP-LOK, THRU-BOLT & SELF-TAPPING)**

PDF (TIFF AVAILABLE)

English

CAD Files

#### **Customer View Model**

2D\_DXF.ZIP

English

#### **Customer View Model**

3D\_IGS.ZIP

English

## Customer View Model

3D\_STP.ZIP

English

## 3D PDF

PDF

English

---

Product Specifications

Application Specification

## CHAMP Printed Circuit (PC) Board Mounted Connectors

PDF

English

---

Product Environmental Compliance

TE Material Declaration

## MD\_5552742-1\_06032014140\_dmtec

PDF

English

---

## FEATURES



Please review product documents or [contact us](#) for the latest agency approval information.

Please Note: Use the Product Drawing for all design activity.

---

### Product Type Features

**Connector Style** Receptacle

**Row-to-Row Spacing** .085

**Profile** Standard

**PCB Mounting Orientation** Right Angle

**Connector & Contact Terminates To** Printed Circuit Board

**Orientation** Standard

**Product Type** Connector

**Grounded** No

**Shielded** No

---

### Configuration Features

**Number of Positions** 36

**Number of Rows** 2

**Preloaded** Yes

---

### Body Features

**Plating Material** Thermoplastic

**Color** Black

**Bracket Material** Thermoplastic

---

### Contact Features

**Solder Tail Contact Plating Material** Tin  
**Contact Mating Area Plating Thickness (µin)** 30  
**Contact Base Material** Copper Alloy  
**Contact Mating Area Plating Material** Gold Flash over Palladium Nickel, Gold

---

#### Mechanical Attachment

**Panel Mount Retention** With  
**PCB Mounting Style** Through Hole  
**PCB Mount Retention** With  
**PCB Mount Retention Type** Self-Tapping  
**Mating Connector Lock** With  
**Mating Connector Lock Type** Screwlocks  
**Panel Attachment Style** Rear Mount

---

#### Housing Features

**Centerline (Pitch)** 2.16 mm [ .085 in ]  
**Housing Color** Black  
**Housing Material** Thermoplastic

---

#### Dimensions

**Panel Thickness** 1.57 mm [ .062 in ]

---

#### Industry Standards

**UL Flammability Rating** UL 94V-0

---

#### Packaging Features

**Packaging Quantity** 50  
**Packaging Method** Tray

---

#### Other

**Comb Material** Thermoplastic

---

## PRODUCT COMPLIANCE



Statement of Compliance

**Statement of Compliance**

PDF

---