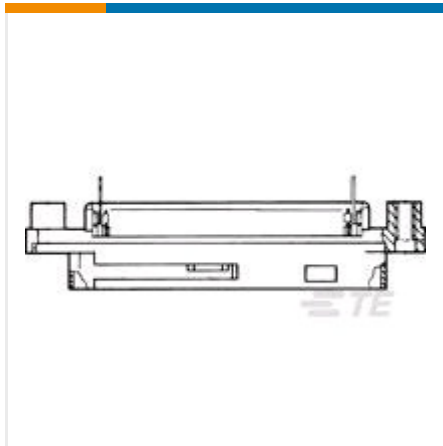




CONNECTORS

PCB D-SUB CONNECTORS



✓ Active

TE CONNECTIVITY (TE)

ASSY, PLUG, 64 POS, VERT MTG

CHAMP | PCB CHAMP Products

5552243-1

TE Internal Number: 5552243-1

EU RoHS Compliant

EU ELV Compliant

Connector Style Plug

Number of Positions 64

Centerline (Pitch) 2.16 mm [.085 in]

Number of Rows 2

Row-to-Row Spacing .085

↓ **PRODUCT DRAWING**
English

↓ **3D PDF**

DOCUMENTATION

Product Drawings

PLUG ASSEMBLY, 64 POSITION, VERTICAL MOUNTING (CHAMP-LOK WITH STANDOFFS)

PDF (TIFF AVAILABLE)

English

CAD Files

3D PDF

PDF

English

Customer View Model

2D_DXF.ZIP

English

Customer View Model

3D_IGS.ZIP

English

Customer View Model

3D_STP.ZIP

English

Product Environmental Compliance

TE Material Declaration

MD_5552243-1_07042016231_dmtec

PDF

English

FEATURES



Please review product documents or [contact us](#) for the latest agency approval information.

Please Note: Use the Product Drawing for all design activity.

Product Type Features

Connector Style Plug

Row-to-Row Spacing .085

Profile Standard

PCB Mounting Orientation Vertical

Connector & Contact Terminates To Printed Circuit Board

Orientation Standard

Product Type Connector

PC Board Material Glass-Filled Polyester

Grounded No

Shielded No

Configuration Features

Number of Positions 64

Number of Rows 2

Preloaded Yes

Body Features

Plating Material Thermoplastic

Color Black

Bracket Material Thermoplastic

Contact Features

Solder Tail Contact Plating Material Tin

Contact Mating Area Plating Thickness (µin) 30

Contact Base Material Phosphor Bronze

Contact Mating Area Plating Material Gold Flash over Palladium Nickel, Gold

Mechanical Attachment

Panel Mount Retention Without
PCB Mounting Style Edge Mount
PCB Mount Retention Without
Mating Connector Lock With
Mating Connector Lock Type Screwlocks

Housing Features

Centerline (Pitch) 2.16 mm [.085 in]
Housing Color Black
Housing Material Thermoplastic

Dimensions

PCB Thickness (Recommended) (mm) 1.57, 2.36, 3.18
PCB Thickness (Recommended) (in) .062, .093, .125

Industry Standards

UL Flammability Rating UL 94V-0

Packaging Features

Packaging Quantity 45
Packaging Method Tray

Other

Comb Material Thermoplastic

PRODUCT COMPLIANCE



Statement of Compliance

Statement of Compliance

PDF
