

"High Frequency Ceramic Solutions"

5.5GHz Miniature EIA 0202 (0.65x0.50mm) High Pass Filter

P/N 5400HP05A0950

Detail Specification: 3/12/2014

Page 1 of 3

Not exactly what you are looking for and want to see our other filters? Go to: www.johansontechnology.com

General Specifications

Part Number	5400HP05A0950
Freq. Range	4900 - 5850 MHz
Insertion Loss @ BW (dB)	0.65 dB max.
Attenuation (db)	20 dB min (@2450-2500MHz)
VSWR @ BW	2.0 max.
Power Capacity	2W max. (CW)
Operating Temp. Range	-40 to +85 °C
Qty/Reel (pcs)	10,000

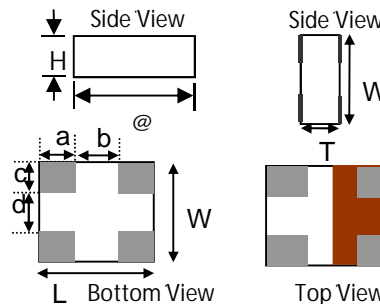


Recommended Storage Conditions

+5 to +35 °C, Humidity
45~75%RH
18 months max.

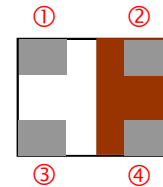
Mechanical Dimensions

	In	mm
L	0.026 ± 0.002	0.65 ± 0.05
W	0.020 ± 0.002	0.5 ± 0.05
T	0.015 max.	0.37 max.
a	0.001 ± .004/.002	0.0225 ± 0.1/0.05
b	0.008 ± .004/.002	0.2 ± 0.1/0.05
c	0.006 ± .004/.002	0.15 ± 0.1/0.05
d	0.008 ± .004/.002	0.2 ± 0.1/0.05



Terminal Configuration

No.		No.	
1	IN/OUT	7	GND
2	IN/OUT	8	GND



Part Number Explanation

P/N Suffix	Packing Style	Bulk	Suffix = S	eg. 5400HP05A0950S
		T & R	Suffix = E	eg. 5400HP05A0950T
	Termination style	100% Tin	Suffix = None	eg. 5400HP05A0950(T or S)
	Evaluation Board	5400HP05A0950-EB1SMA		

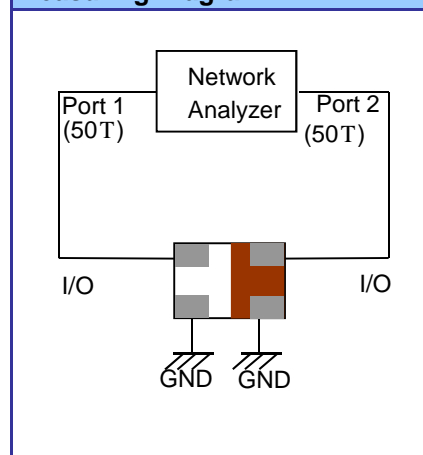
Mounting Considerations

Solder Resist
 Land
 Through-hole ($\lambda 0.35$)

* Line width should be designed to match 50 characteristic impedance, depending on PCB material and thickness.

Need the layout file of the above? Send us a message at: <http://www.johansontechnology.com/component/techquestion>

Measuring Diagram



www.johansontechnology.com

4001 Calle Tecate • Camarillo, CA 93012 • TEL 805.389.1166 FAX 805.389.1821

Ver 1.0

2014 Johanson Technology, Inc. All Rights Reserved

"High Frequency Ceramic Solutions"

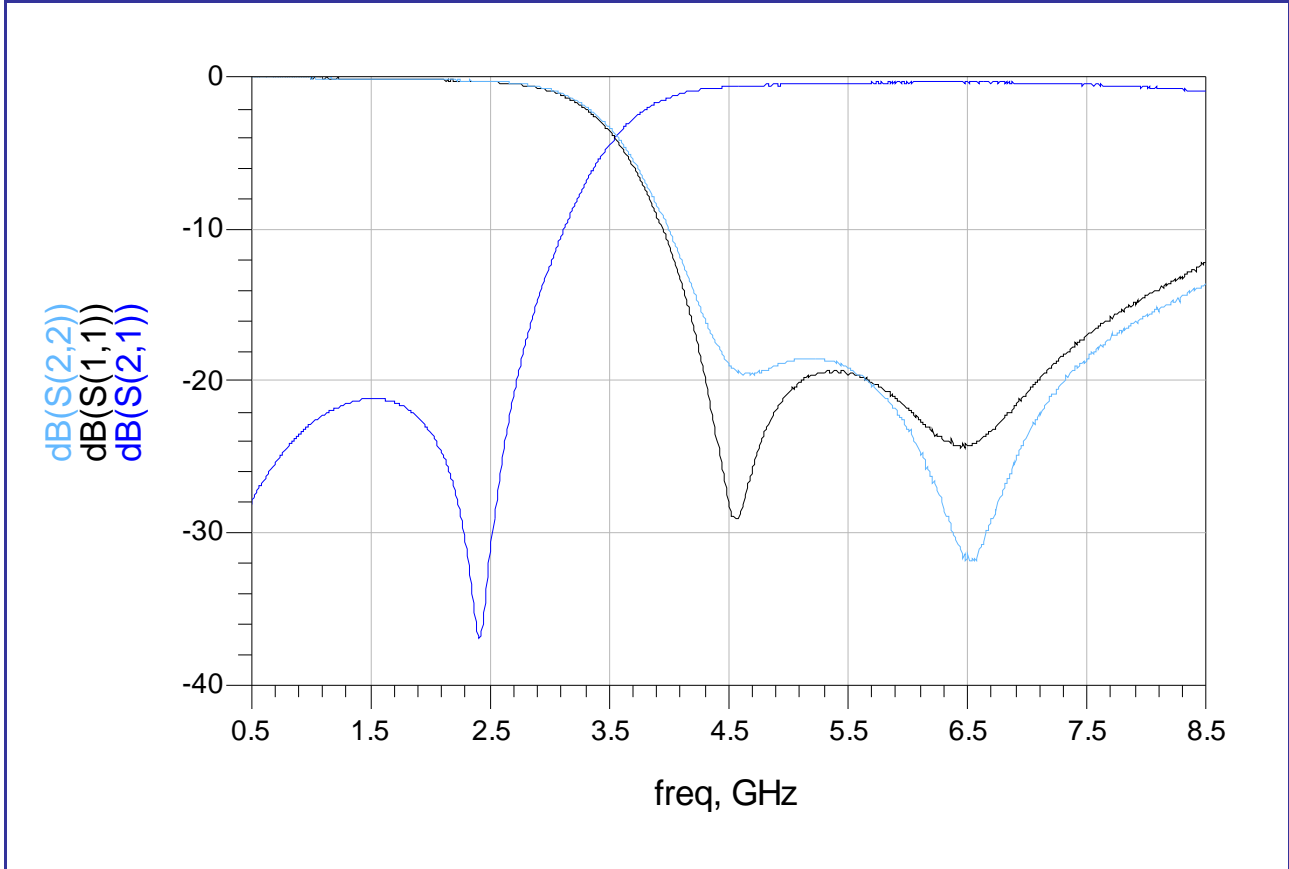
5.5GHz Miniature EIA 0202 (0.65x0.50mm) High Pass Filter

P/N 5400HP05A0950

Detail Specification: 3/12/2014

Page 2 of 3

Typical Electrical Characteristics (T=25 °C)



The contents of this data sheet are subject to change without notice. Please confirm the specifications and delivery conditions when placing your order. All sales are subject to Johanson Technology, Inc. terms and conditions.



Ver 1.0

www.johansontechnology.com

4001 Calle Tecate • Camarillo, CA 93012 • TEL 805.389.1166 FAX 805.389.1821

2014 Johanson Technology, Inc. All Rights Reserved

"High Frequency Ceramic Solutions"

5.5GHz Miniature EIA 0202 (0.65x0.50mm) High Pass Filter

P/N 5400HP05A0950

Detail Specification: 3/12/2014

Page 3 of 3

RoHS Compliance

www.johansontechnology.com/technical-notes/rohs-compliance.html

Packaging information

www.johansontechnology.com/ipcpackaging.html

Soldering Information

www.johansontechnology.com/ipcsoldering-profile

Layout Files, s-parameters and any other technical questions

www.johansontechnology.com/component/techquestion/?Itemid=407

MSL Info

www.johansontechnology.com/technical-notes/msl-rating.html

Recommended Storage Condition and Max Shelf Life

www.johansontechnology.com/ipcstorage-shelflife

Need a small SMD chip Antenna?

www.johansontechnology.com/antennas

Antenna layout and tuning techniques

www.johansontechnology.com/tuning

Antenna layout review, tuning, and characterization services

www.johansontechnology.com/ipcantennaservices

The contents of this data sheet are subject to change without notice. Please confirm the specifications and delivery conditions when placing your order. All sales are subject to Johanson Technology, Inc. terms and conditions.



Ver 1.0

www.johansontechnology.com

4001 Calle Tecate • Camarillo, CA 93012 • TEL 805.389.1166 FAX 805.389.1821

2014 Johanson Technology, Inc. All Rights Reserved