

southco

PROPRIETARY ITEM - EXCEPT FOR USES EXPRESSLY GRANTED IN WRITING INFORMATION DISCLOSED HEREON IS CONFIDENTIAL AND ALL RIGHTS PATENT AND OTHERWISE ARE RESERVED BY SOUTHCO, INC.

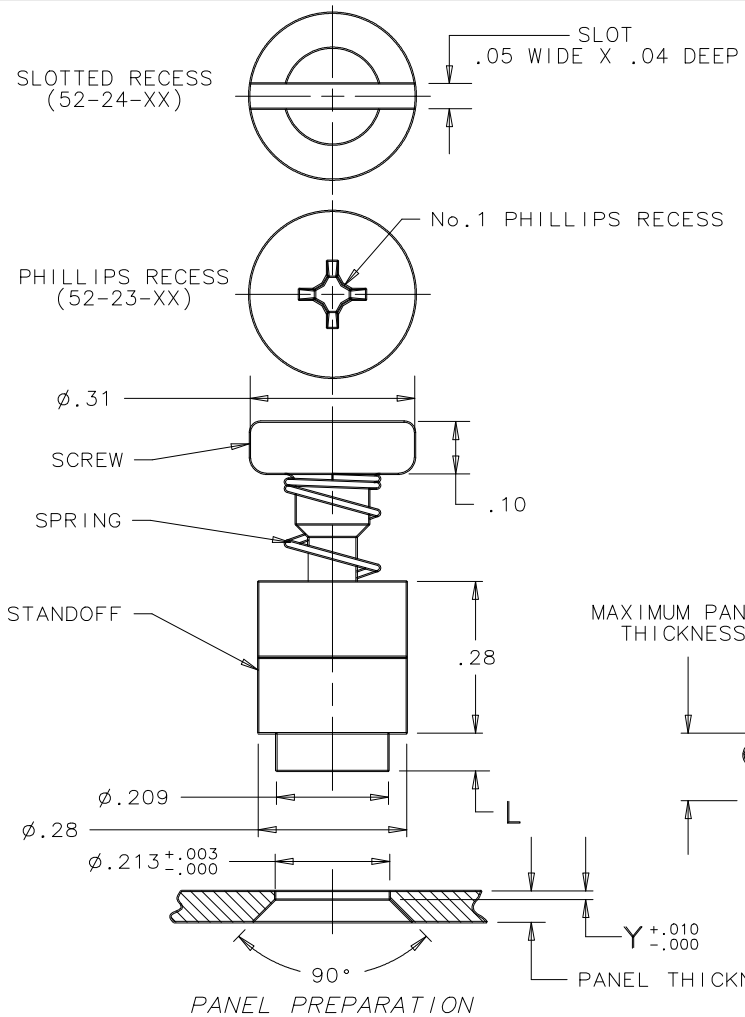
No. 52 LOW PROFILE CAPTIVE SCREW ASSEMBLY, FLARE-IN STYLE, SMOOTH HEAD, 6-32 THREAD

DATE	DRAWN	CHKD	SCALE	DRAWING NUMBER
12MAY95	JSS	SML	3 : 1	J-52-2-3

REV.	DATE	DRAWN	REVISION	PART No.	MATERIAL AND FINISH	PANEL THICKNESS		DIM. L	DIM. Y	DIM. P-1	DIM. P-2	DIMENSIONS ARE IN INCHES DIMENSIONS WITHOUT TOLERANCES ARE FOR REFERENCE ONLY.
						MIN.	MAX.					
A	11AUG99	MDM/CHW	PRN: 52-141	52-23-21	SEE NOTE A	.058	.125	.070	.016			
B	16MAR2002	VNI/CHW	PRN: P2002-0145	52-23-43	SEE NOTE A	.126	.187	.135	.063	.01	.21	
				52-24-21	SEE NOTE A	.058	.125	.070	.016			
				52-24-43	SEE NOTE A	.126	.187	.135	.063	.01	.21	

THIRD ANGLE PROJECTION

A4 PAPER SIZE



NOTE

A- SCREW: 430 STAINLESS STEEL, PASSIVATED
 SPRING: 302 STAINLESS STEEL, PASSIVATED
 STANDOFF: 304 STAINLESS STEEL, PASSIVATED

B- FOR AN ASSEMBLY WITH A BLACK OXIDE SCREW AND STANDOFF, ADD -1 TO THE PART NUMBER. (EXAMPLE: 52-23-21-1)

C- INSTALLATION INSTRUCTIONS:

1. PREPARE THE HOLE IN THE PANEL, COUNTERSINK UNDERSIDE OF THE PANEL AS SHOWN.
2. PUNCH SURFACE AND INSTALLATION TOOL MUST REMAIN PARALLEL DURING FLARING OF STANDOFF. ONLY USE LIGHT PRESSURE TO FLARE STANDOFF.
3. USE SOUTHCO INSTALLATION TOOL, PART NUMBER 47-106, TO FLARE THIS ASSEMBLY.

