

REV.	DATE	BY	APP.
A	7/9/51		
B			
C			
D			

REV.	DATE	BY	APP.
A	7/9/51		
B			
C			
D			

REV.	DATE	BY	APP.
A	7/9/51		
B			
C			
D			

REV.	DATE	BY	APP.
A	7/9/51		
B			
C			
D			

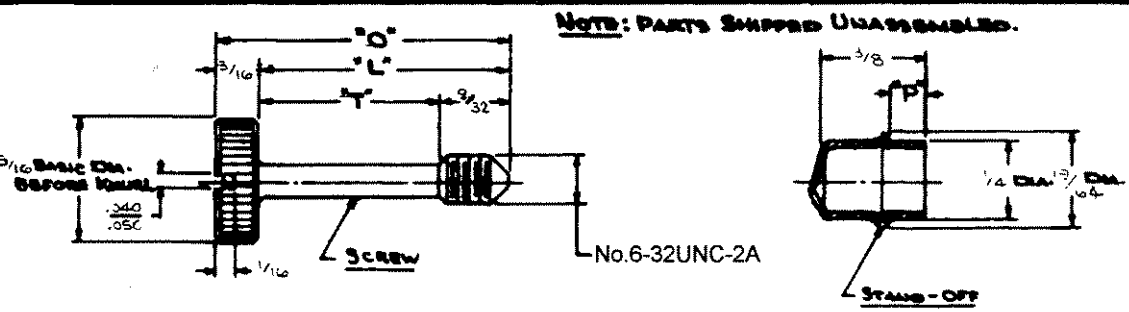
REV.	DATE	BY	APP.
A	7/9/51		
B			
C			
D			

REV.	DATE	BY	APP.
A	7/9/51		
B			
C			
D			

REV.	DATE	BY	APP.
A	7/9/51		
B			
C			
D			

REV.	DATE	BY	APP.
A	7/9/51		
B			
C			
D			

REV.	DATE	BY	APP.
I	4-5-92		
J	4-5-92		
K	4/18/93		
L	5/14/98		



ITEM	MATERIAL	FINISH
SCREW	STAINLESS STEEL	PASSIVATE
STAND-OFF	STAINLESS STEEL	PASSIVATE

NOTE: THESE ASSEMBLIES ARE NON-REPAIRABLE ITEMS AND COMPONENTS ARE NOT AVAILABLE AS REPLACEMENT OR REPAIR PARTS.

ASSEMBLY PART NUMBERS		T	L	O	P
SLOTTED	UNSLOTTED				
51-18-406-24	51-28-406-24				1/16
- 506 -	- 506 -	3/8	21/32	27/32	3/32
- 606 -	- 606 -				1/8
- 407 -	- 407 -				1/16
- 507 -	- 507 -	7/16	23/32	29/32	3/32
- 607 -	- 607 -				1/8
- 408 -	- 408 -				1/16
- 508 -	- 508 -	1/2	25/32	31/32	3/32
- 608 -	- 608 -				1/8
- 409 -	- 409 -				1/16
- 509 -	- 509 -	9/16	27/32	1 1/32	3/32
- 609 -	- 609 -				1/8
- 410 -	- 410 -				1/16
- 510 -	- 510 -	5/8	29/32	1 3/32	3/32
51-18-610-24	51-28-610-24				1/8
51-18-411-24		1 1/16	31/32	1 5/32	1/16
51-18-512-24		3/4	1 1/32	1 7/32	3/32
	51-28-612-24				1/8

THESE ASSEMBLIES ARE NON-REPAIRABLE ITEMS AND COMPONENTS ARE NOT AVAILABLE AS REPLACEMENT OR REPAIR PARTS.

FOR INSTALLATION INSTRUCTIONS SEE J-51-13