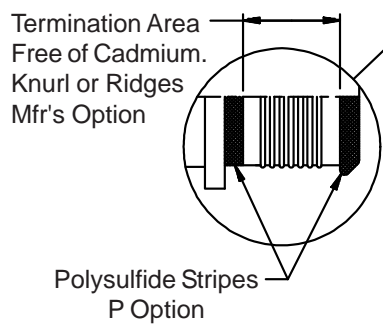
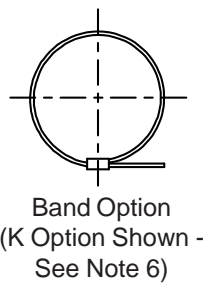
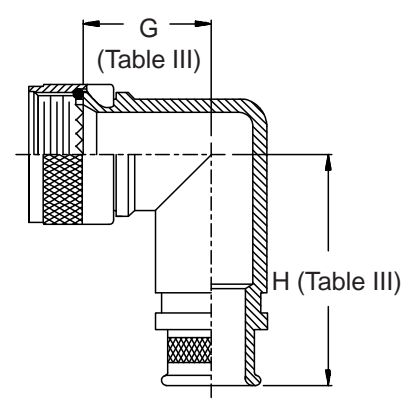
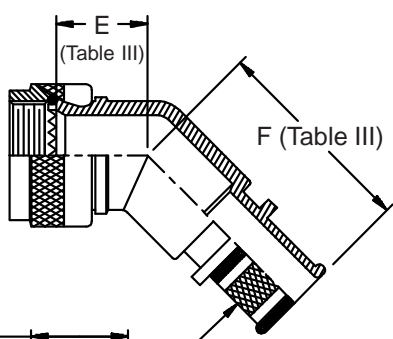
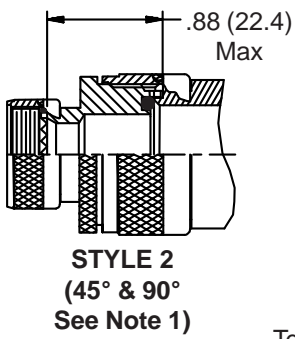
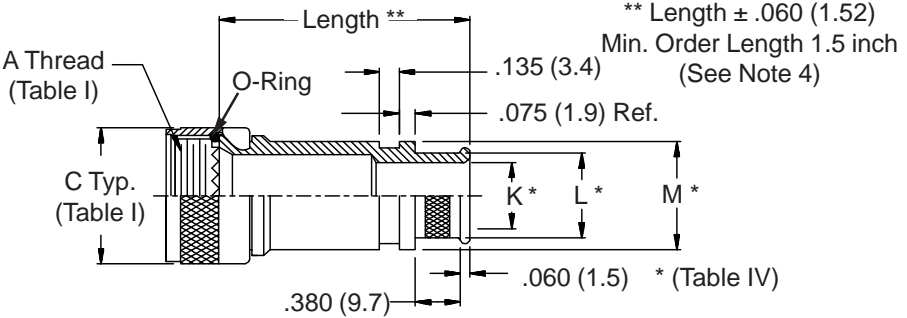
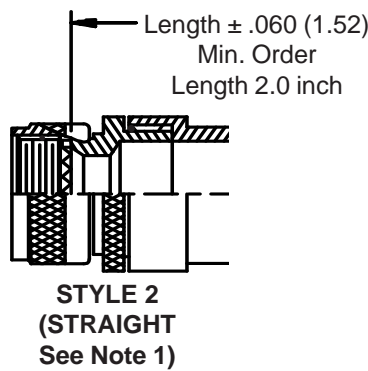
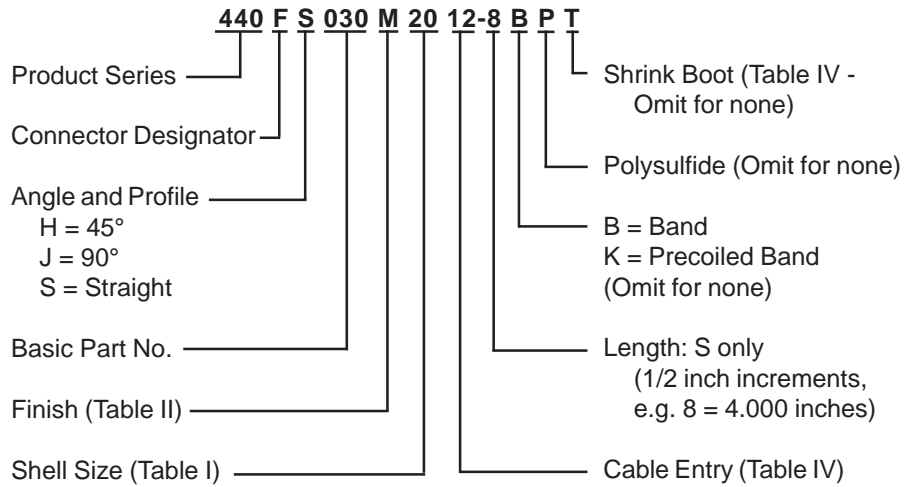


**CONNECTOR DESIGNATORS**  
**A-F-H-L**  
**ROTATABLE COUPLING**



See inside back cover fold-out or pages 13 and 14 for Tables I and II.

TABLE III: ELBOW DIMENSIONS

| Shell Size   |    | E *   |        | F     |        | G *   |        | H *   |        |
|--------------|----|-------|--------|-------|--------|-------|--------|-------|--------|
| Conn. Desig. | H  | Max   | (mm)   | Max   | (mm)   | Max   | (mm)   | Max   | (mm)   |
| A-F-L        |    |       |        |       |        |       |        |       |        |
| 08           | 09 | .531  | (13.5) | .940  | (23.9) | .639  | (16.2) | 1.110 | (28.2) |
| 10           | 11 | .594  | (15.1) | 1.000 | (25.4) | .664  | (16.9) | 1.140 | (29.0) |
| 12           | 13 | .618  | (15.7) | 1.050 | (26.7) | .688  | (17.5) | 1.160 | (29.5) |
| 14           | 15 | .656  | (16.7) | 1.090 | (27.7) | .705  | (17.9) | 1.190 | (30.2) |
| 16           | 17 | .688  | (17.5) | 1.150 | (29.2) | .732  | (18.6) | 1.210 | (30.7) |
| 18           | 19 | .748  | (19.0) | 1.190 | (30.2) | .803  | (20.4) | 1.221 | (31.0) |
| 20           | 21 | .773  | (19.6) | 1.250 | (31.8) | 1.031 | (26.2) | 1.281 | (32.5) |
| 22           | 23 | .800  | (20.3) | 1.320 | (33.5) | 1.156 | (29.4) | 1.351 | (34.3) |
| 24           | 25 | .823  | (20.9) | 1.380 | (35.1) | 1.219 | (31.0) | 1.410 | (35.8) |
| 28           |    | 1.041 | (26.4) | 1.500 | (38.1) | 1.281 | (32.5) | 1.531 | (38.9) |
| 32           |    | 1.092 | (27.7) | 1.620 | (41.1) | 1.593 | (40.5) | 1.651 | (41.9) |
| 36           |    | 1.136 | (28.9) | 1.750 | (44.5) | 1.718 | (43.6) | 1.781 | (45.2) |

\*These maximum dimensions are increased by .187 (4.7) when parts are fabricated from stainless steel, and connector designator is "S".

TABLE IV: CABLE ENTRY

| Dash No. | K            | L            | M            | Shrink Boot |
|----------|--------------|--------------|--------------|-------------|
| 01       | .125 (3.2)   | .250 (6.4)   | .312 (7.9)   | 770-003S111 |
| 31       | .188 (4.8)   | .312 (7.9)   | .374 (9.5)   | 770-003S111 |
| 02       | .250 (6.4)   | .375 (9.5)   | .437 (11.1)  | 770-003S112 |
| 32       | .312 (7.9)   | .438 (11.1)  | .500 (12.7)  | 770-003S112 |
| 03       | .375 (9.5)   | .500 (12.7)  | .562 (14.3)  | 770-001S103 |
| 33       | .438 (11.1)  | .562 (14.3)  | .624 (15.8)  | 770-001S104 |
| 04       | .500 (12.7)  | .625 (15.9)  | .687 (17.4)  | 770-001S104 |
| 34       | .562 (14.3)  | .688 (17.5)  | .750 (19.1)  | 770-001S104 |
| 05       | .625 (15.9)  | .750 (19.1)  | .812 (20.6)  | 770-001S104 |
| 35       | .688 (17.5)  | .812 (20.6)  | .874 (22.2)  | 770-001S104 |
| 06       | .750 (19.1)  | .875 (22.2)  | .937 (23.8)  | 770-001S105 |
| 36       | .812 (20.6)  | .938 (23.8)  | 1.000 (25.4) | 770-001S105 |
| 07       | .875 (22.2)  | 1.000 (25.4) | 1.062 (27.0) | 770-001S105 |
| 37       | .938 (23.8)  | 1.062 (27.0) | 1.124 (28.5) | 770-001S105 |
| 08       | 1.000 (25.4) | 1.125 (28.6) | 1.187 (30.1) | 770-001S106 |
| 38       | 1.062 (27.0) | 1.188 (30.2) | 1.250 (31.8) | 770-001S106 |
| 09       | 1.125 (28.6) | 1.250 (31.8) | 1.312 (33.3) | 770-001S107 |
| 10       | 1.250 (31.8) | 1.375 (34.9) | 1.437 (36.5) | 770-001S107 |
| 11       | 1.375 (34.9) | 1.500 (38.1) | 1.562 (39.7) | 770-001S107 |
| 12       | 1.500 (38.1) | 1.625 (41.3) | 1.687 (42.8) | 770-001S107 |
| 13       | 1.625 (41.3) | 1.750 (44.5) | 1.812 (46.0) | 770-001S108 |
| 14       | 1.750 (44.5) | 1.875 (47.6) | 1.937 (49.2) | 770-001S108 |
| 15       | 1.875 (47.6) | 2.000 (50.8) | 2.062 (52.4) | 770-001S109 |
| 16       | 2.000 (50.8) | 2.125 (54.0) | 2.187 (55.5) | 770-001S109 |

1. When maximum cable entry (page 21) is exceeded, Style 2 will be supplied. Dimensions E, F, G, and H will not apply. Please consult factory.
2. Metric dimensions (mm) are indicated in parentheses.
3. Interface O-Ring not supplied with Connector Designator A.
4. Consult factory for shorter lengths on straight backshells.
5. See page 40 Shrink Boot Reference Information.
6. Backshells supplied with 600-052-\* band, see Glenair Series 600 Tool Catalog for installation.