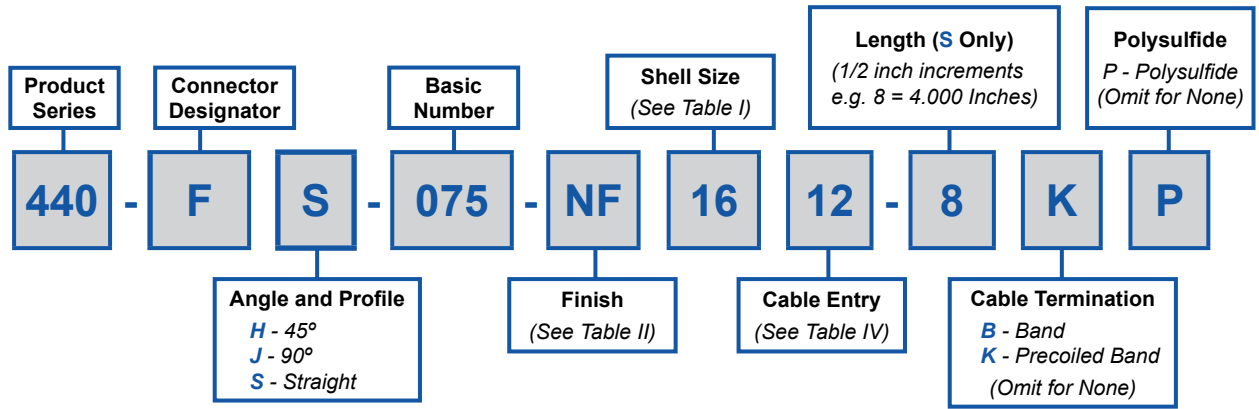
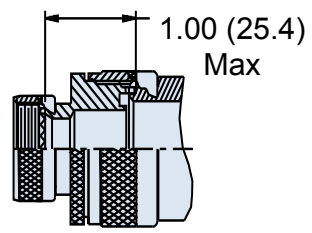
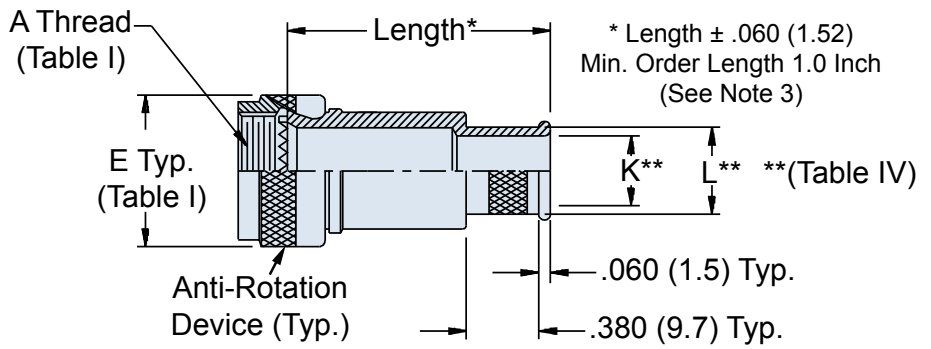


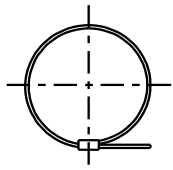
# 440-075 EMI/RFI Banding Adapter Self-Locking Rotatable Coupling - Standard Profile



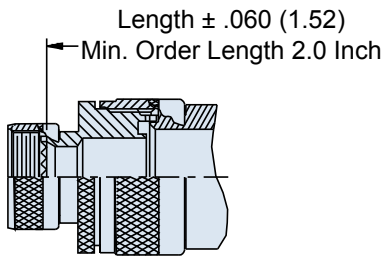
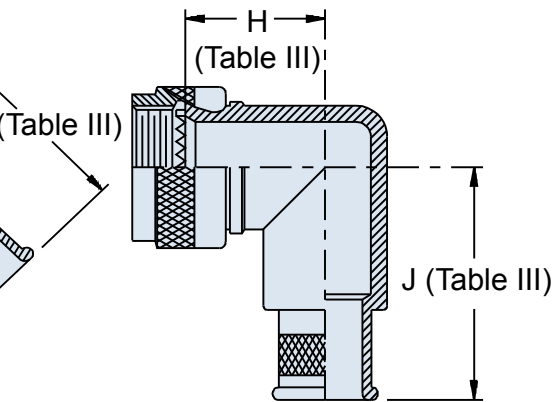
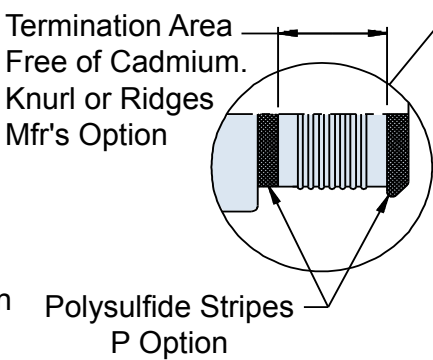
<b>CONNECTOR DESIGNATOR:</b>
<b>A</b> - MIL-DTL-5015 / -26482 / -83723 <b>F</b> - MIL-DTL-38999 Series I, II <b>H</b> - MIL-DTL-38999 Series III and IV
<b>SELF-LOCKING</b>
<b>ROTATABLE COUPLING</b>
<b>STANDARD PROFILE</b>



**STYLE 2  
(45° & 90°  
See Note 1)**



Band Option  
(K Option Shown  
- See Note 4)



**STYLE 2  
(STRAIGHT  
See Note 1)**



See Page H-2 for Table I: Backshell Interface Dimensions

TABLE III: ELBOW DIMENSIONS					
Shell Size Conn. Desig.		F	G	H	J
A-F-L-S	H	Max	Max	Max	Max
08	09	.795 (20.2)	.890 (22.6)	.906 (23.0)	1.000 (25.4)
10	11	.820 (20.8)	.920 (23.4)	.966 (24.5)	1.060 (26.9)
12	13	.844 (21.4)	.940 (23.9)	1.026 (26.1)	1.120 (28.4)
14	15	.861 (21.9)	.970 (24.6)	1.076 (27.3)	1.190 (30.2)
16	17	.888 (22.6)	.990 (25.1)	1.136 (28.9)	1.250 (31.8)
18	19	.904 (23.0)	1.000 (25.4)	1.176 (29.9)	1.270 (32.3)
20	21	.929 (23.6)	1.020 (25.9)	1.236 (31.4)	1.330 (33.8)
22	23	.956 (24.3)	1.060 (26.9)	1.296 (32.9)	1.410 (35.8)
24	25	.979 (24.9)	1.090 (27.7)	1.356 (34.4)	1.480 (37.6)

TABLE IV: CABLE ENTRY		
Dash No.	K Dia	L Dia
02	.125 (3.2)	.250 (6.4)
03	.188 (4.8)	.312 (7.9)
04	.250 (6.4)	.375 (9.5)
05	.312 (7.9)	.438 (11.1)
06	.375 (9.5)	.500 (12.7)
07	.438 (11.1)	.562 (14.3)
08	.500 (12.7)	.625 (15.9)
09	.562 (14.3)	.688 (17.5)
10	.625 (15.9)	.750 (19.1)
11	.688 (17.5)	.812 (20.6)
12	.750 (19.1)	.875 (22.2)
13	.812 (20.6)	.938 (23.8)
14	.875 (22.2)	1.000 (25.4)
15	.938 (23.8)	1.062 (27.0)
16	1.000 (25.4)	1.125 (28.6)
17	1.062 (27.0)	1.188 (30.2)
18	1.125 (28.6)	1.250 (31.8)
20	1.250 (31.8)	1.375 (34.9)
22	1.375 (34.9)	1.500 (38.1)
24	1.500 (38.1)	1.625 (41.3)
26	1.625 (41.3)	1.750 (44.5)
28	1.750 (44.5)	1.875 (47.6)
30	1.875 (47.6)	2.000 (50.8)
32	2.000 (50.8)	2.125 (54.0)

TABLE II: FINISHES	
Glenair Symbol	Finish
B	Cadmium Plate, Olive Drab
M	Electroless Nickel
NF	Cadmium Plate, Olive Drab over Electroless Nickel
MT	Ni-PTFE 1000 Hour Grey™ Nickel Fluorocarbon Polymer

Consult Factory for Additional Finish Options

1. When maximum cable entry is exceeded, Style 2 will be supplied. Dimensions F, G, H and J will not apply. Please consult factory.
2. Metric dimensions (mm) are indicated in parentheses.
3. Consult factory for shorter lengths on straight backshells.
4. Backshells supplied with 600-052-\* band, see Glenair Series 600 Tool Catalog for installation.