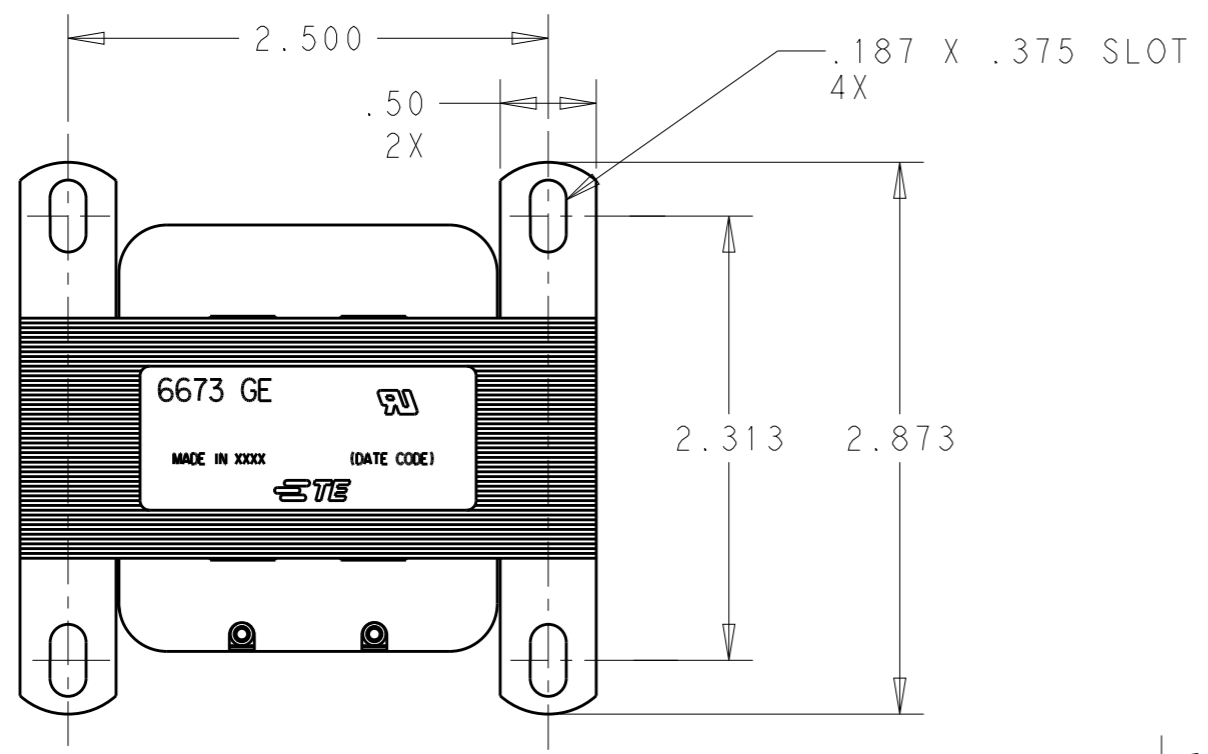
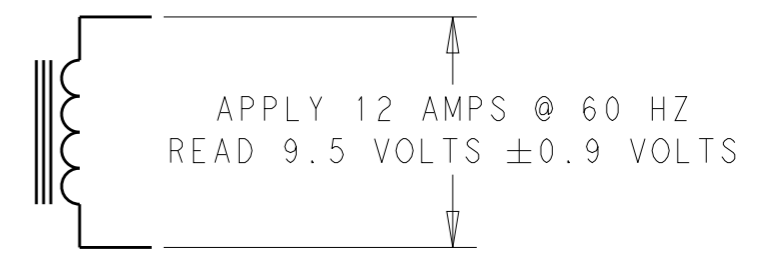


THIS DRAWING IS UNPUBLISHED. RELEASED FOR PUBLICATION 20  
 © COPYRIGHT 20 BY - ALL RIGHTS RESERVED.

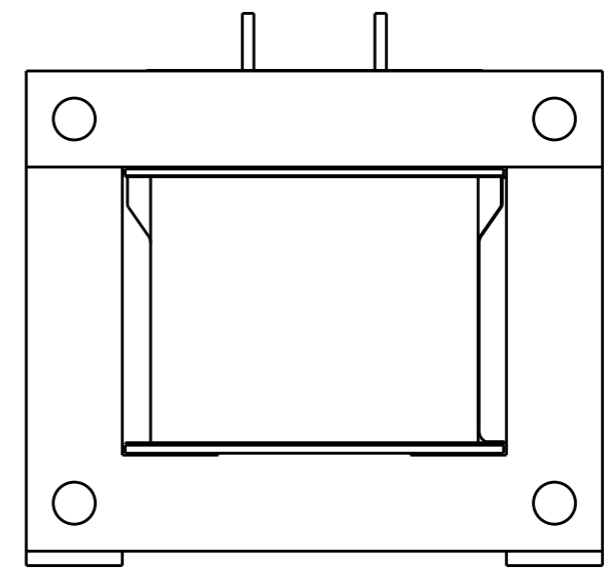
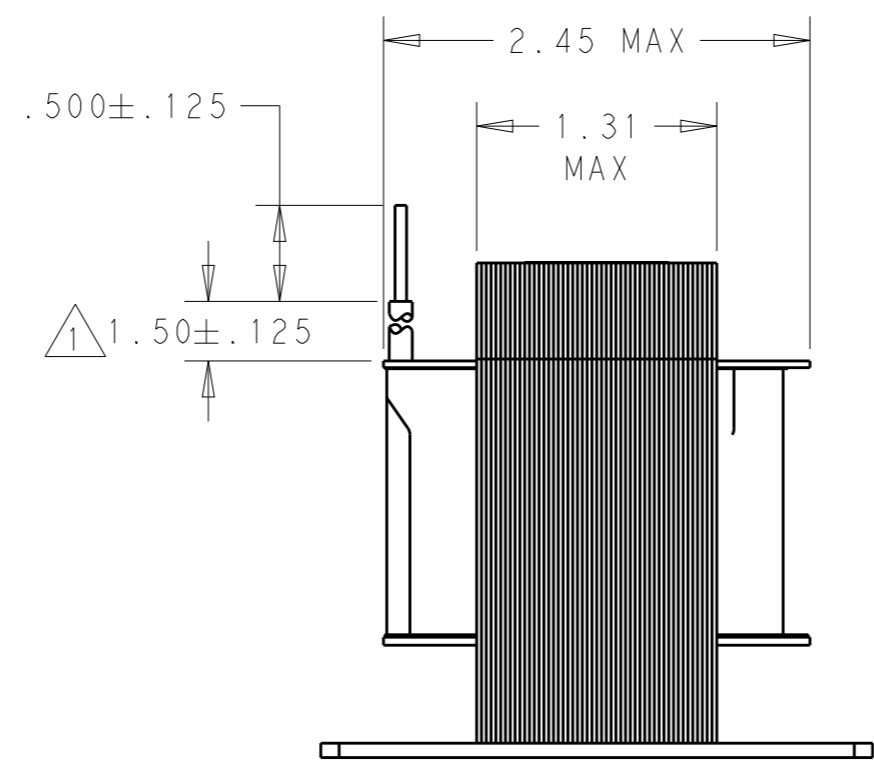
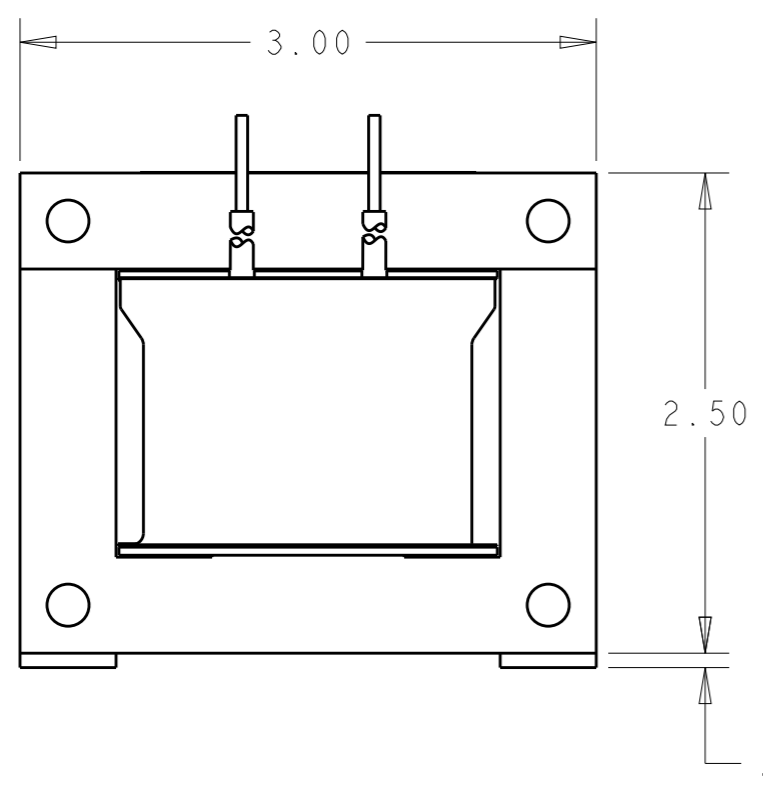
REVISIONS				
P	LTR	DESCRIPTION	DATE	APVD
E		ECR-17-011882	17AUG2017	VS DB



- 1 SLEEVING PVC HT-105, BLACK OR CLEAR.
- 2. CERTIFICATION: UL FILE NO. E102980



SCHEMATIC



2-1611476-5  
TE PART NO.

THIS DRAWING IS A CONTROLLED DOCUMENT.		DWN VIC SLACK 06DEC2013	TE Connectivity		
DIMENSIONS: INCHES		CHK D. BLOESCH 06DEC2013			
TOLERANCES UNLESS OTHERWISE SPECIFIED:		APVD D. BLOESCH 06DEC2013	NAME TRANSFORMER OUTLINE		
0 PLC ±- 1 PLC ±.1 2 PLC ±.03 3 PLC ±.015 4 PLC ±- ANGLES ±-		PRODUCT SPEC -	RESTRICTED TO -		
MATERIAL -		APPLICATION SPEC -	SIZE A3	CAGE CODE 00779	DRAWING NO G-6673GE
FINISH -		WEIGHT -	SCALE 1:1		SHEET 1 OF 1
		Customer Drawing	REV E		