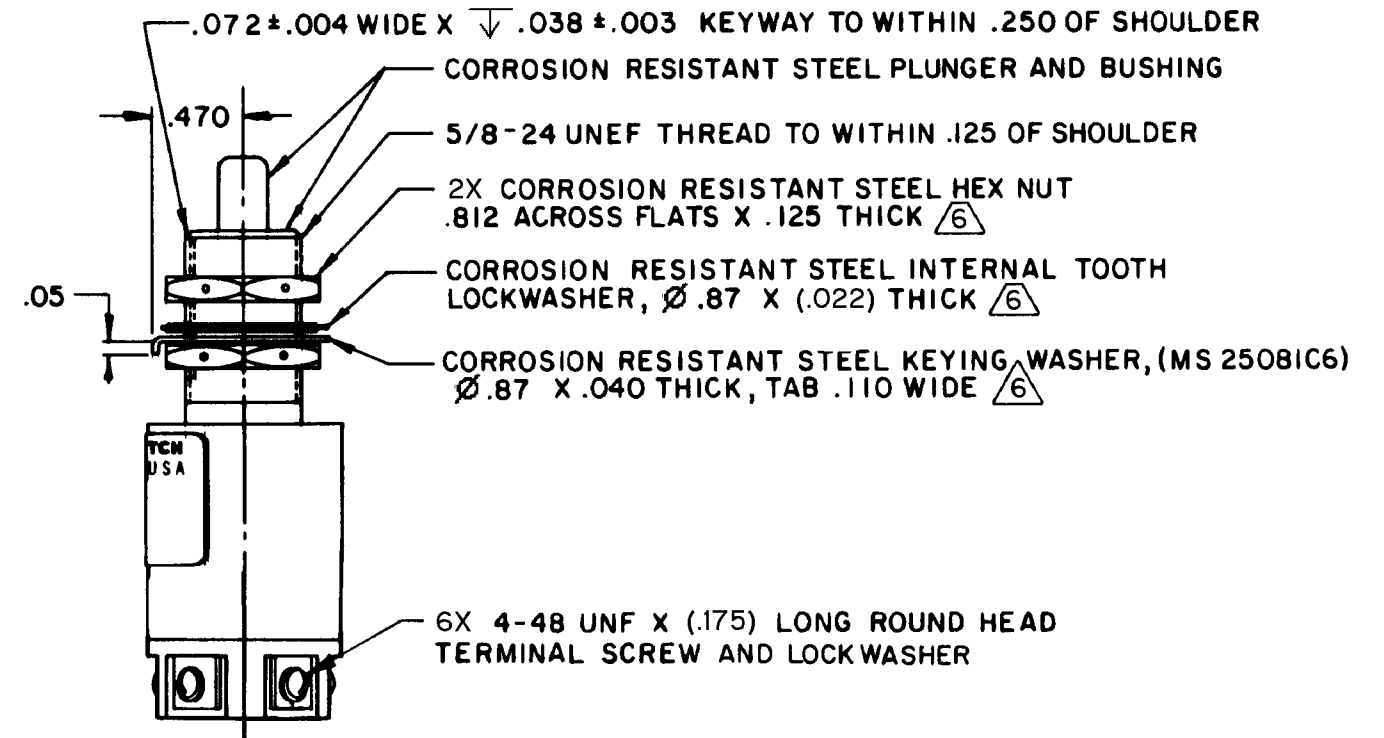
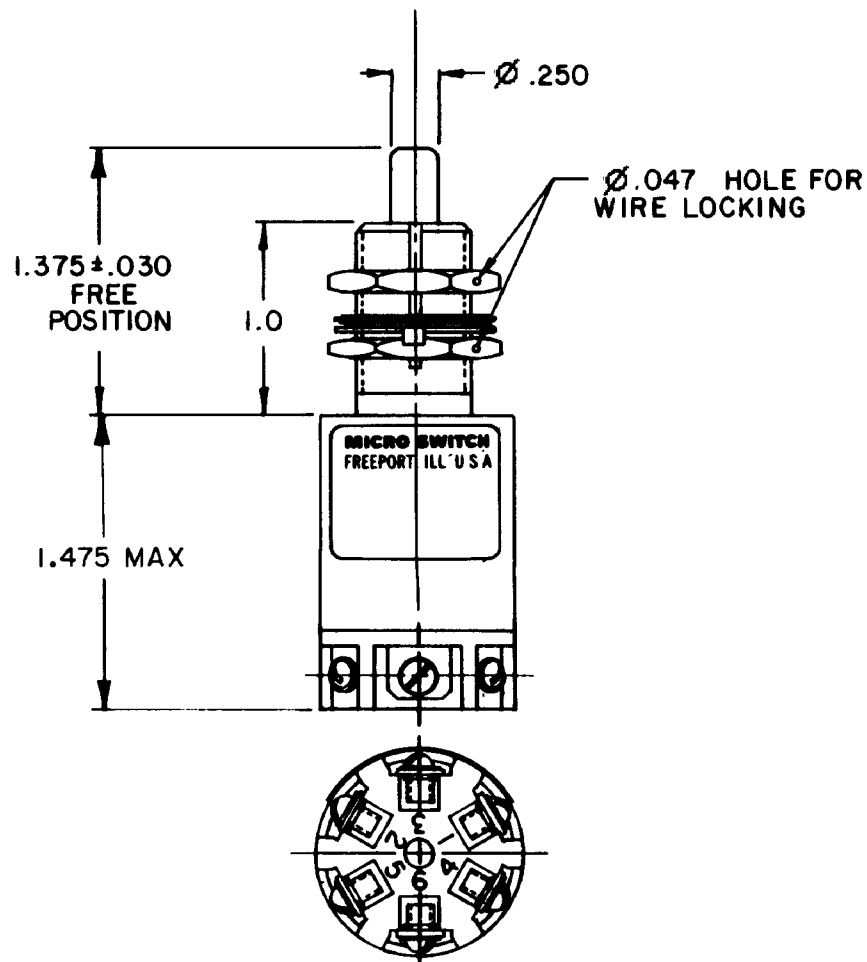
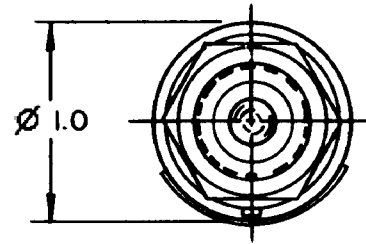
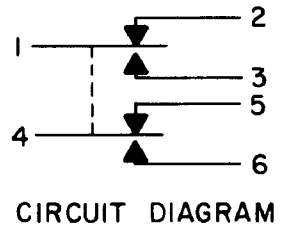


MICRO SWITCH
 FREEPORT ILLINOIS U S A
 A DIVISION OF HONEYWELL
 FED MFG. CODE 91929

SWITCH - ENCLOSED

CATALOG LISTING
1EN372-S



NOTES

- 1 - CORROSION RESISTANT STEEL ENCLOSURE
- 2 - SWITCH SEALED PER MIL-S-8805, SYMBOL 4
- 3 - CIRCUIT DIAGRAM AND , DATE CODE, FED. MFG. CODE AND CATALOG LISTING ARE SHOWN ON NAMEPLATE
- 4 - TERMINAL IDENTIFICATION IS SHOWN ON BOTTOM OF SWITCH
- 5 - COINCIDENCE OF OPERATING AND RELEASING POINTS: .010 OF PLUNGER TRAVEL
- (6) HARDWARE MAY BE PACKAGED UNASSEMBLED PER MIL-S-8805
- (7) BASIC SWITCHES HAVE 24K SOLID GOLD OVERLAY CONTACTS

CATALOG LISTING
1EN372-S
 PAGE 1 OF 1
 REPLACES
 RELEASE NO. PR-11003
 CHECK
 REVISIONS
 A C055924 JAS 8 OCT 84
 B C074101 DAW 10 FEB 93
 C CO-77504-C DLY 28 JUL 94
 D C082106
 G J W 20 FEB 98
 E CO-93970 SAV 14 JAN 99
 CHECK
 DRAWN
 J A P 9 MAR 82
 FORMTEK

THIS DRAWING COVERS A PROPRIETARY ITEM AND IS THE PROPERTY OF MICRO SWITCH A DIVISION OF HONEYWELL. THIS DRAWING IS NOT TO BE COPIED OR USED WITHOUT THE APPROVAL OF MICRO SWITCH

CHARACTERISTICS	
OPERATING FORCE	6-12 LB
FULL OVERTRAVEL FORCE	30 LB MAX
RELEASE FORCE	4 LB MIN
PRETRAVEL	.040 MAX
DIFFERENTIAL TRAVEL	.020 MAX
OVERTRAVEL	.250 MIN

ELECTRICAL DATA	
CONTACT ARRANGEMENT 2X SPDT (7)	
28 VDC	
LOAD	SEA LEVEL 50,000 FT.
RES	.5
IND	.5
MOTOR	
LAMP	

SCALE FULL			
DO NOT SCALE PRINT			
TOLERANCES			
APPLY TO DESIGN UNITS CONVERSIONS ARE ONLY FOR REFERENCE UNLESS NOTED TOLERANCES ARE ±			
DIM	TOL	DIM	TOL
mm	mm/in	in	mm/in
NO PLACES	X	1/04	X X
ONE PLACE	X,X	0.47/010	X X X
TWO PLACES	X,XX	0.157/006	X X X X
THREE PLACES	X,XXX		X X X X X
ANGLES			
DESIGN UNITS		US CUSTOMARY	
SI METRIC		<input checked="" type="checkbox"/>	
THIRD ANGLE PROJECTION			
WEIGHT 3.5 OZ MAX			

ANSI Y14.5M-1982 APPLIES