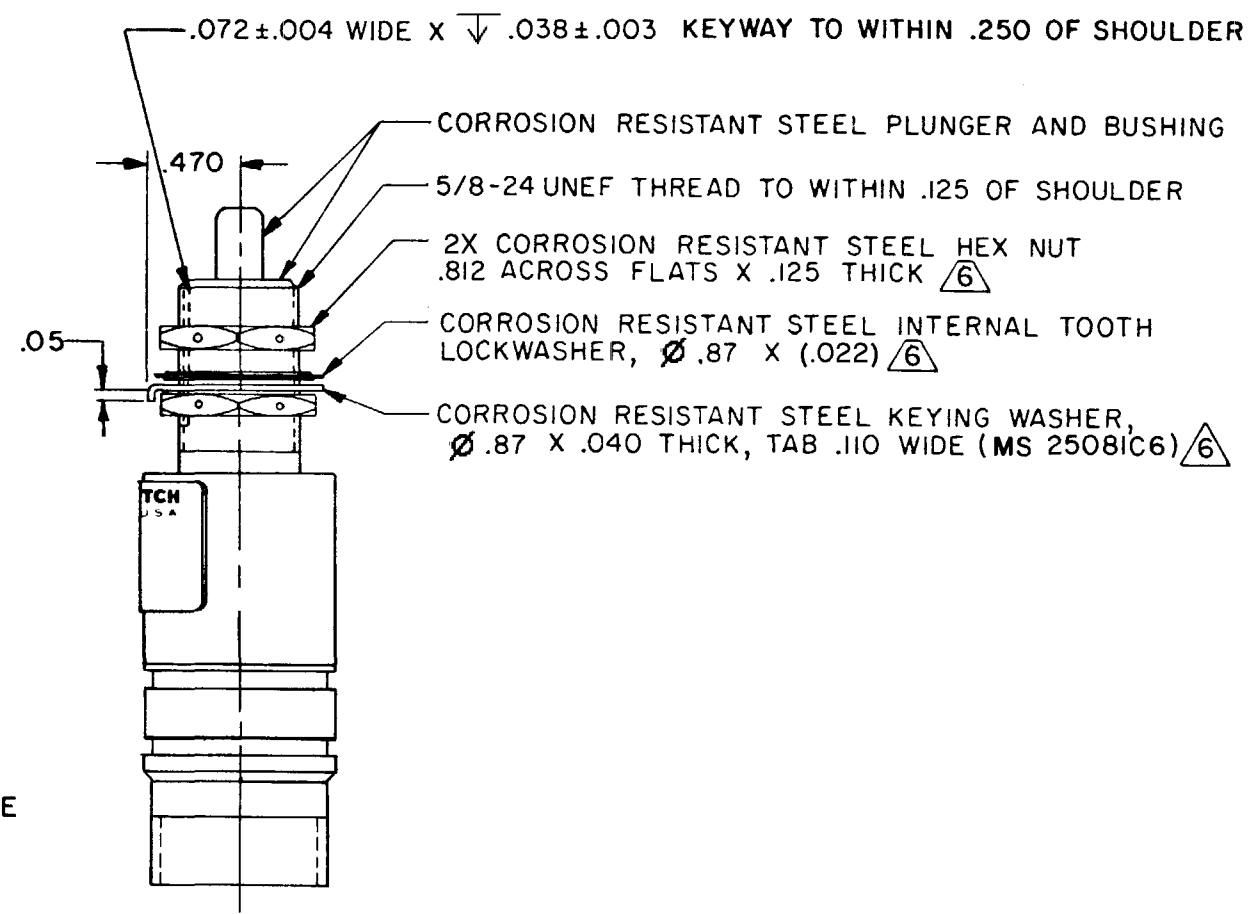
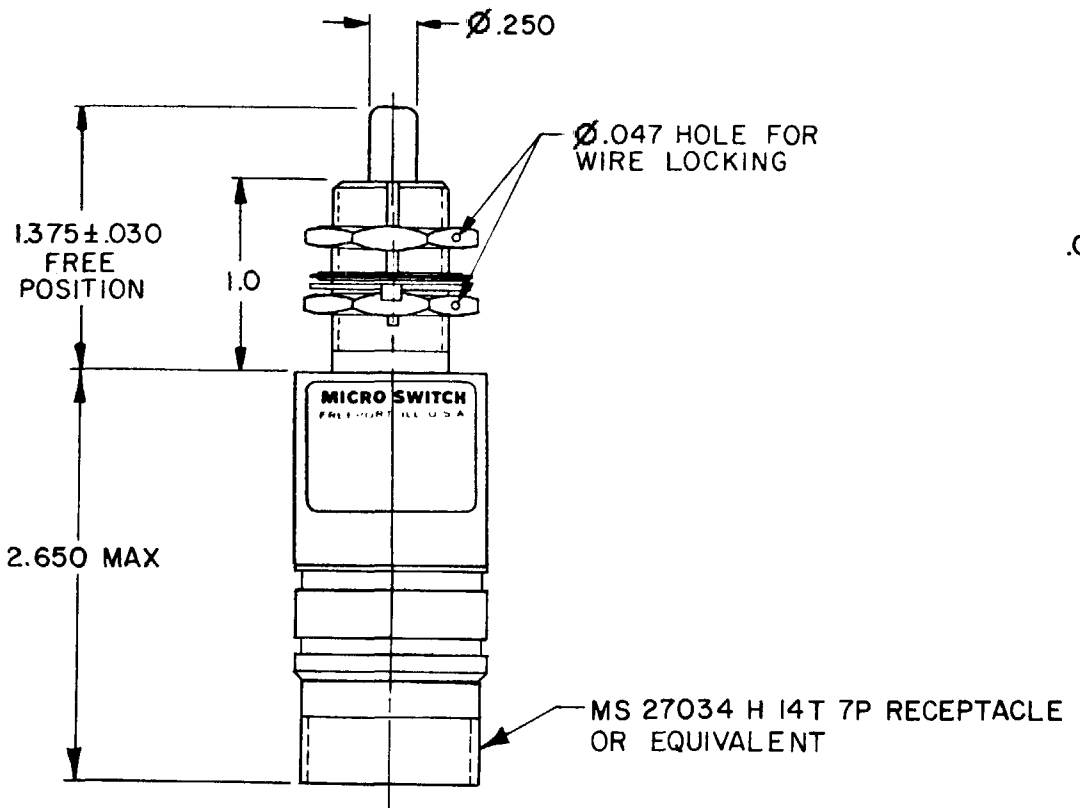
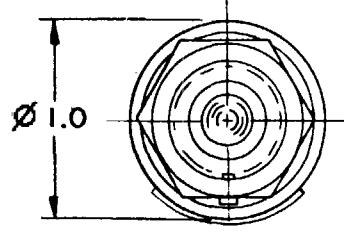
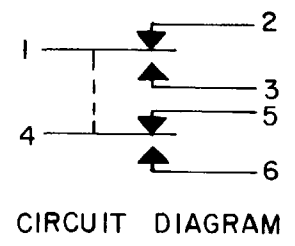
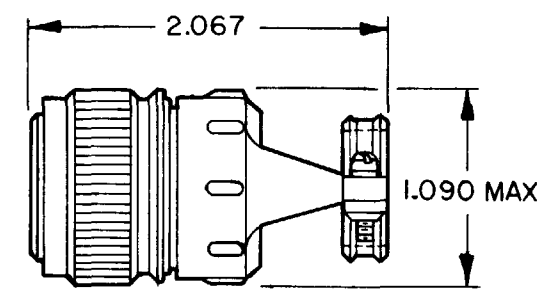
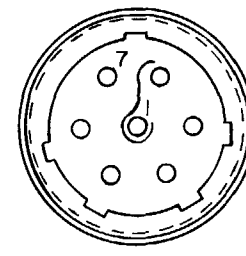


CATALOG LISTING
 1EN255-RB
 PAGE 1 OF 1
 ISSUE 12
 REVISIONS
 A CO44351 PART 7 WJM 9 APR 79
 B CO46208 SJB 19 JUNE 79
 C CO47573 JAP 5 AUG 80
 D OBS DWG CO48886 R J H 1 JUL 81
 E REINST PR-11347 G J W 1 JUL 82
 F CO-93970 SAV 14 JAN 99
 CHECK CEB 23 APR 79
 DRAWN WJM 9 APR 79
 FORMTEK

MICRO SWITCH
 FREEPORT ILLINOIS U.S.A.
 A DIVISION OF HONEYWELL
 FED. MFG. CODE 91929

SWITCH-ENCLOSED

CATALOG LISTING
1EN255-RB



THIS DRAWING COVERS A PROPRIETARY ITEM AND IS THE PROPERTY OF MICRO SWITCH, A DIVISION OF HONEYWELL. THIS DRAWING IS NOT TO BE COPIED OR USED WITHOUT THE APPROVAL OF MICRO SWITCH.

THIRD ANGLE PROJECTION

SCALE FULL
 DO NOT SCALE PRINT

CHARACTERISTICS	
OPERATING FORCE	6-12 LB
FULL OVERTRAVEL FORCE	30 LB MAX
RELEASE FORCE	4 LB MIN
PRETRAVEL	.040 MAX
DIFFERENTIAL TRAVEL	.020 MAX
OVERTRAVEL	.250 MIN

ELECTRICAL DATA		
CONTACT ARRANGEMENT 2X SPDT		
LOAD	28 VDC	
	SEA LEVEL	50,000 FT.
RES	4	4
IND	2	2
MOTOR	4	

TOLERANCES				
APPLY TO DESIGN UNITS. DECIMALS ARE ONLY FOR REFERENCE. UNLESS NOTED, TOLERANCES ARE Z				
NO. PLACES	DIM.	TOL.	DIM.	TOL.
ONE PLACE	X	1/64	X X	0.010
TWO PLACES	X X	0.0010	X X X	0.0005
THREE PLACES	X X X	0.0005	X X X X	0.0002
ANGLES				

DESIGN UNITS: METRIC US CUSTOMARY

FOR MATERIAL-COMMERCIAL STANDARD MICRO SWITCH STANDARDS APPLY
 DIMENSIONS ARE TO BE MET BEFORE PROTECTIVE COATING IS APPLIED

WEIGHT 7.7 OZ MAX

- NOTES
- CORROSION RESISTANT STEEL ENCLOSURE
 - SWITCH SEALED PER MIL-S-8805 SYMBOL 4
 - CIRCUIT DIAGRAM, DATE CODE, FED. MFG. CODE AND CATALOG LISTING ARE SHOWN ON NAMEPLATE
 - COINCIDENCE OF OPERATING AND RELEASING POINTS: .010 OF PLUNGER TRAVEL
 - MATING CONNECTOR MS24266R-14T-7S WILL ACCEPT A .460 ± .015 DIA. CABLE
 - HARDWARE MAY BE PACKAGED UNASSEMBLED PER MIL-S-8805
 - MATING CONNECTOR AND CABLE CLAMP, PER MS27291-3, SUPPLIED UNASSEMBLED
- ANSI Y14.5M-1982 APPLIES