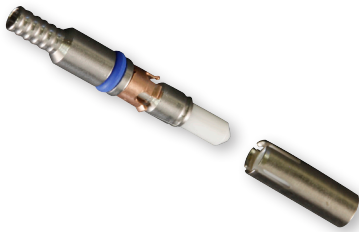




Size 16 M29504/15 fiber optic socket terminus for MIL-PRF-28876 connectors



| Mil-Spec Part Number | ØA (Microns) | Fiber Type | Fiber Size Core/Cladding (Microns) | Commercial Part Number |
|------------------------|--------------|-------------|------------------------------------|-------------------------------|
| M29504/15-4180C | 125.0 | Single Mode | 9/125 | 181-040-1250C |
| Not listed in Mil-Spec | 125.5 | Single Mode | 9/125 | 181-040-1255C |
| M29504/15-4181C | 126.0 | Single Mode | 9/125 | 181-040-1260C |
| M29504/15-4171C | 126.0 | Multi Mode | 50/125, 62.5/125 | 181-040-1260C |
| M29504/15-4172C | 127.0 | Multi Mode | 50/125, 62.5/125 | 181-040-1270C |
| M29504/15-4175C | 142.0 | Multi Mode | 100/140 | 181-040-1420C |

Consult factory for additional sizes and QPL status.

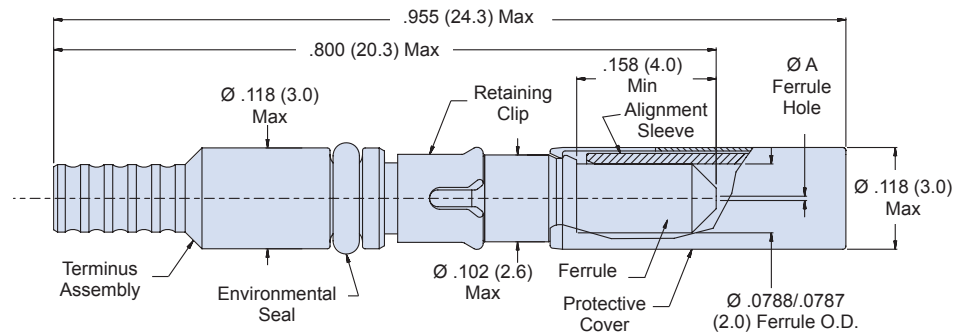
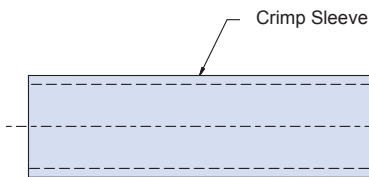


Table II: Tools and Accessories

| Part Number | Description |
|-------------------------|--|
| 265-008 | Crimp Sleeve Ø 2.4mm Max Jacket (Mil-Spec Type) |
| 265-010 | Alignment Sleeve Assembly |
| 182-012 | Crimp Tool |
| 182-013 | Insertion Tool, Straight |
| 182-014 | Insertion Tool, 90° |
| 182-015 | Removal Tool |
| 182-016 | Alignment Sleeve Assembly Insertion/Removal Tool |
| 182-035 | Hand Polishing Tool |

Material and Finish

Alignment Sleeve, Ferrule: Zirconia Ceramic
 Protective cover: Spring Alloy / Nickel
 Terminus Assembly: Stainless Steel / Passivate
 Retaining Clip: Spring Alloy
 Seal: Fluorosilicone
 Crimp Sleeve: Brass Alloy / Nickel

Notes

- Crimp sleeve is supplied with terminus assembly and may be ordered separately (see Table II). For terminus less crimp sleeve omit **C** from end of part number.
- Alignment sleeve assembly is supplied with terminus assembly (packaged loose) and may be ordered separately (see Table II). For terminus less alignment sleeve assembly, add **N** to end of part number (e.g. 181-040-1260CN).
- See Glenair GAP-036 for termination procedure and assembly tools.
- Dummy Terminus: Part Number 181-051 or M29504/3-4038.