

[Search →](#)

Enter part number or keyword

Search Results (0)

[Search Options](#)

Select a product type to narrow your search:

Mounting Device ▾

Results with your selections: --

Component Type ▾

Component Feature ▾

Fastening Type ▾

Hole diameter [mm] ▾

Bundle size [mm] ▾

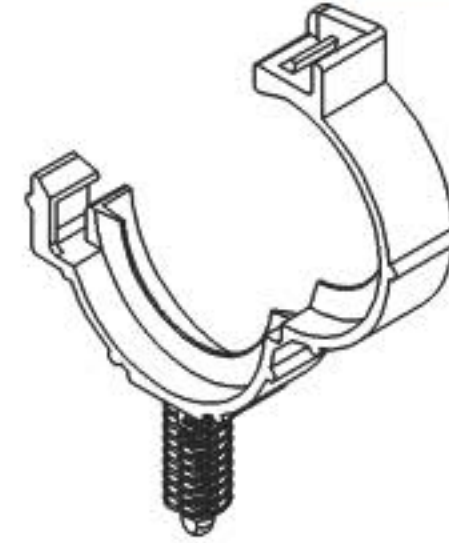
Stud Size ▾

Conduit Size [mm] ▾

Color ▾

[Clear](#)[Search →](#)

## Conduit Clip Nail, Attachment Hole Diam 6.65, Conduit Size 22

**Part #15317856**[Question about this product?](#)[Attributes](#)[Documents \(3\)](#)

<b>Part # :</b>	15317856
<b>Description :</b>	Conduit Clip Nail, Attachment Hole Diam 6.65, Conduit Size 22
<b>Product Type :</b>	Mounting Device
<b>Fastening Type :</b>	Nail
<b>Status :</b>	✓ Active
<b>Component Type :</b>	Clip
<b>Component Feature :</b>	Conduit
<b>Hole size [mm] :</b>	6.65
<b>Bundle size [mm] :</b>	22.00
<b>Nominal Metal Sheet Thickness [mm] :</b>	12.50
<b>Color :</b>	Gray
<b>Material :</b>	PP
<b>Weight [g] :</b>	2.56