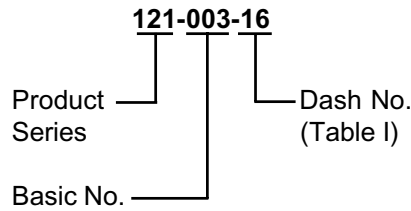
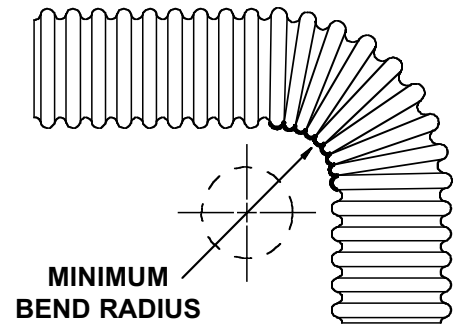
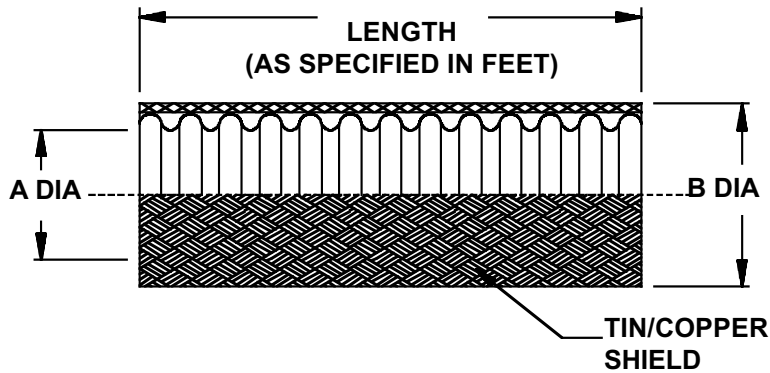


**121-003**  
**Type C Series 72 Annular Convolute Tubing**  
**Thermally Stabilized Kynar®**



**TYPE  
 C  
 EXTERNAL  
 TIN/COPPER  
 BRAID**



DASH NO.	A DIA		B DIA		MINIMUM BEND RADIUS
	MIN	MAX	MIN	MAX	
09	.24 (6.1)	.28 (7.1)	.42 (10.7)	.46 (11.7)	.75 (19.1)
12	.33 (8.4)	.37 (9.4)	.52 (13.2)	.56 (14.2)	1.00 (25.4)
16	.45 (11.4)	.50 (12.7)	.64 (16.3)	.70 (17.8)	1.38 (35.1)
20	.57 (14.5)	.62 (15.7)	.75 (19.1)	.81 (20.6)	1.69 (42.9)
24	.69 (17.5)	.75 (19.1)	.92 (23.4)	.98 (24.9)	1.88 (47.8)
28	.81 (20.6)	.87 (22.1)	1.04 (26.4)	1.12 (28.4)	2.00 (50.8)
32	.93 (23.6)	1.00 (25.4)	1.16 (29.5)	1.24 (31.5)	2.38 (60.5)
40	1.18 (30.0)	1.25 (31.8)	1.40 (35.6)	1.48 (37.6)	2.88 (73.2)

Metric dimensions (mm) are in parentheses.

Note: Tubing supplied in random lengths.  
 For specific size lengths, consult factory.