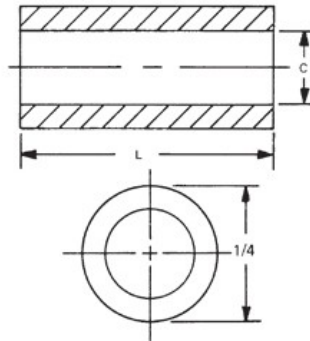




Home > [1/4 Round Spacers](#)

1/4 ROUND SPACERS



[Home](#) [Previous](#) [Next](#)
[Related Metric](#)

xxxxx	x	xx	x
Length	Clearance Hole	Material	Finish

PART: 1123 8 AL

Red ?'s show missing selections. [Help](#)

[Material Specifications](#)
[Ordering non-standard items](#)
[Download a Drawing](#)

Add to Cart

CALL NOW:
203 888-2133

Qty1 *

Qty2

Qty3

Length *

Select	Part No.	Length
<input type="radio"/>	1122A	3/32
<input type="radio"/>	1122	1/8
<input type="radio"/>	1122T	5/32
<input checked="" type="radio"/>	1123	3/16
<input type="radio"/>	1123T	7/32
<input type="radio"/>	1124	1/4
<input type="radio"/>	1124T	9/32
<input type="radio"/>	1125	5/16
<input type="radio"/>	1125T	11/32
<input type="radio"/>	1126	3/8
<input type="radio"/>	1126T	13/32

Clearance Hole *

Select	Code	+0.010-000
<input type="radio"/>	2	.090
<input type="radio"/>	4	.115
<input type="radio"/>	6	.140
<input checked="" type="radio"/>	8	.166



Material *

Select	Code	Material	RoHS
<input checked="" type="radio"/>	AL	Aluminum	YES
<input type="radio"/>	B	Brass	YES
<input type="radio"/>	SS	Stainless Steel	YES
<input type="radio"/>	S	Steel	YES
<input type="radio"/>	N	Nylon	YES
<input type="radio"/>	PH	Phenolic	YES

Finish *

<input checked="" type="radio"/>	Plain Finish
<input type="radio"/>	1-Cad clear chromate/commercial*
<input type="radio"/>	2-Cad clear chromate*
<input type="radio"/>	3-Cad yellow chromate*
<input type="radio"/>	4-Chrome over nickel

<input type="radio"/>	5-Nickel
<input type="radio"/>	6-Gold iridite*
<input type="radio"/>	7-Clear iridite
<input type="radio"/>	9-Alodine 1200*
<input type="radio"/>	10-Bright chrome
<input type="radio"/>	11-Satin chrome
<input type="radio"/>	12-Zinc

