

## PRODUCT SEARCH

SEARCH BY PART NUMBER

SEARCH BY CATEGORY

SEARCH SMARTCONN

SEARCH MILLILED

VISUAL GUIDES

## CROSS-REFERENCE

TYPE COMPETITOR'S NAME

- OR -

COMPETITOR PART NUMBER

## Product menu

SERIES DESCRIPTION

DOWNLOAD PDF VERSION

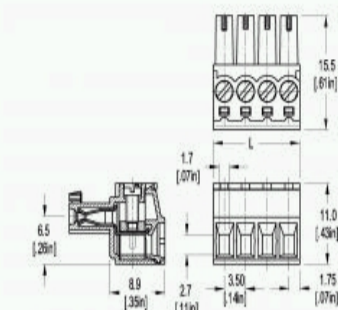
VIEW DEMOBOARD

REQUEST SAMPLE / QUOTE

## PLUG-IN SCREW CONNECTOR SYSTEM FOR PRINTED CIRCUIT BOARDS

**110-A-111**

3.50 mm (0.138 in) Spacing - 2- 24 poles

[Print this page](#)


Distributor stock check

additional photos

view 3d model

## TECHNICAL INFORMATION

## APPROVAL INFORMATION

## PLUGS WITH

## HOW TO ORDER

**Description**

- Plug
- End-to-end stackable while maintaining the 3.5 mm spacing

Elevator style of wire clamping mechanism ensures reliable wire contact

- Coding keys 120-K are available to prevent the insertion of the wrong plug into a header. These are usually field inserted but can be factory installed if required. These coding keys are visible from the exterior, through slots in the header. Correct keying requires the removal of corresponding keying nibs from the 110-A plugs.

**Technical Data**
**Center to Center Spacing:** 3.500 mm (0.138 in)

**Nominal Cross Section:** 1.5 mm<sup>2</sup> (2325 mils<sup>2</sup>)

**Wire Stripping Length:** 6.000 mm (0.236 in)

**Bill of Materials**
**Molding:** Polyamide, Self extinguishing UL 94, V-0

**Color:** Grey

**Temperature limits:** Short Time : 140°C (284°F)

Continuous : 105°C (221°F)

Low Limit : -40°C (-40°F)

**Ambient Temp. Range (°C):** -40°C to 40°C

**Comparative Tracking Index:** CTI ≥ 600 V

**Oxygen Index Rating:** 33 %

**Terminal Body:** Nickel plated copper alloy

**Wire Protector and Contact Spring:** Tin plated copper alloy

**Screw:** Tin plated copper alloy M2

**Visual Description**

RoHS WEEE Pb free surface compliant


 SIGN UP TO OUR NEWSLETTER  
 ENTER YOUR EMAIL ADDRESS BELOW




**WECO Electrical Connectors Inc.**

18050 TRANS-CANADA HIGHWAY, KIRKLAND, QC CANADA H9J 4A1

TEL.: 1.514.694.9136 FAX.: 1.514.694.0956

TOLL FREE.: 1.800.724.2928 (US AND CANADA ONLY)

E-MAIL: WECO@WECOCONNECTORS.COM