

E		SHEET 1 OF 1		10-242758	
REVISIONS					
LTR	DESCRIPTION	DATE			
C	(CL II) SEE ECN A6257	11/12/2008			
D	(CL II) SEE ECN A7632	----			
E	SEE ECN: A9635-0000 ADDED SZ. 4 TO TABLE	15-JUN-10 Khibbard			

10-242758

SHEET 1 OF 1

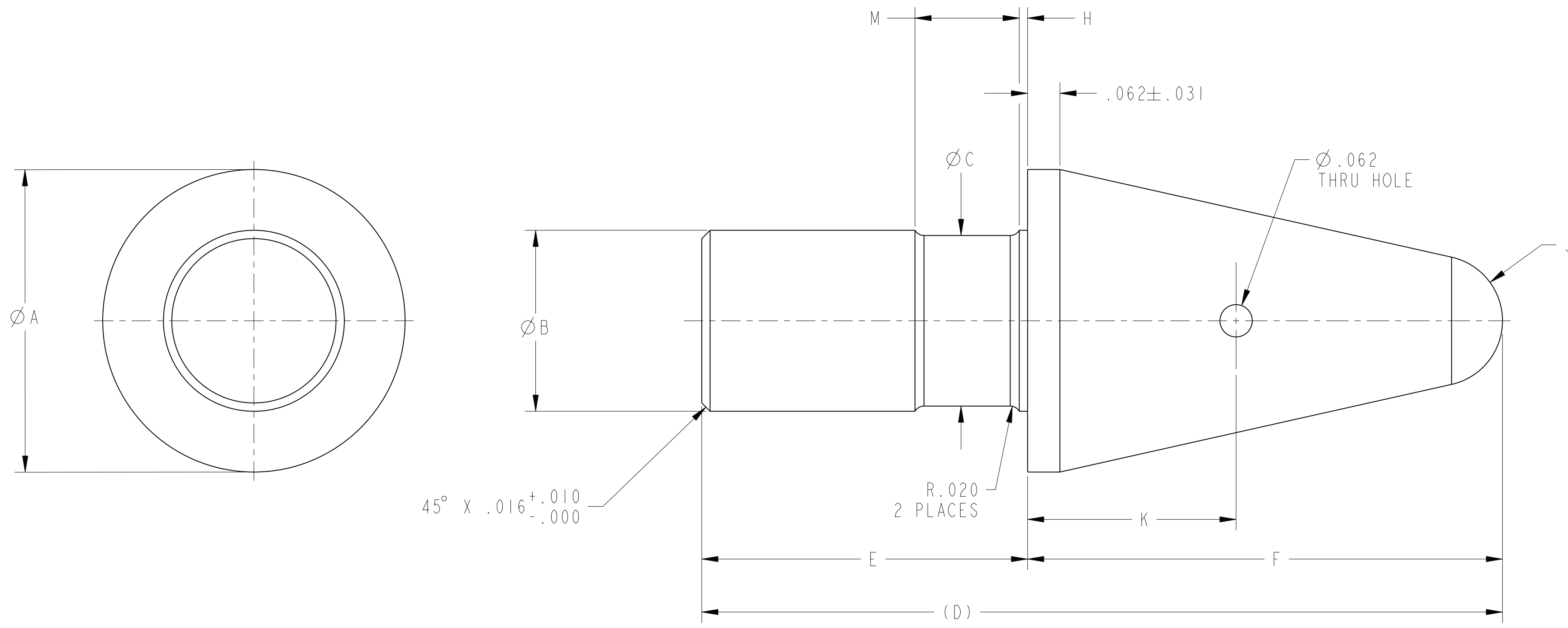
E

C

B

A

PART NUMBER	ØA	ØB ±.002	ØC +.003 -.002	(D)	E ±.016	F ±.016	M	H	J SPHERE	K
10-242758-012	.191 <sup>+.005</sup> -.007	.094	.070	1.192	.684	.508	.200	.084	.050	-
10-242758-016	.127	.061	.049	.844	.406	.438	.200	.016	.025	-
10-242758-008	.309	.139	.100	1.250	.625	.625	.312	.125	.075	-
10-242758-075	1.119	.875	-	2.590	1.250	1.340	-	-	.218	-
10-242758-050	.875	.700	-	2.219	1.250	.969	-	-	.188	-
10-242758-051	.120±.002	.061	.049	.844	.406	.438	.200	.016	.025	-
10-242758-04R	.424 <sup>+.005</sup> -.002	.237	-	1.255	.505	.750	-	-	.094	.330
10-242758-00R	.580 <sup>+.005</sup> -.002	.347	-	1.536	.625	.911	-	-	.125	.400



**NOTES:**  
 THE USE OF THIS DOCUMENT IS UNLIMITED.  
 HOWEVER, DOCUMENTS REFERENCED HEREON  
 MAY CONTAIN LIMITED RIGHTS DATA.

N/A  
 NEXT ASSEMBLY

PRO/ENGINEER INFORMATION  
 Pro/e Model Used:  
 10-242758.PART  
 Drawing Name:  
 10-242758

UNLESS OTHERWISE SPECIFIED LINEAR DIMENSIONS ARE IN INCHES TOLERANCES: .XXXX = ±.0005 ANGLES= ±2° .XXX = ±.010 .XX = ±.03 .X = ±.1 DIM. & TOL. PER ASME Y14.5M; DRM PER MIL-DTL-31000; OTHER Amphenol Stds. PER 9-3800 LEGENDS: =FLAG NOTE CALL OUT REFERENCE ONLY	SPECIFICATIONS	POS	QTY	PART NUMBER	DESCRIPTION	NOTE	
	MATERIAL SPEC.	APPROVALS		DATE	PARTS LIST		
	NYLON 6/6 DUPONT ZYTEL 101 (9-9147)	PREPARED BY H. TANG	ENGINEER IN CHARGE D. PHILLIPS	DESIGN MANAGER H. JOHNSON	20-0c1-08	AMPHENOL CORPORATION 40-60 DELAWARE AVENUE SIDNEY, N.Y. 13858	
	PROCESS SPEC. N/A	THIRD ANGLE PROJECTION		PIN, PILOT SOCKET CONTACT			
				SIZE C	CAGE CODE 77820	DOCUMENT NO. 10-242758	
				SCALE: 6.0	REF L-19825-68	SHEET 1 OF 1	

10-242758

SHEET 1 OF 1

E

10-242758

SHEET 1 OF 1

E

C

B

A

10-242758

SHEET 1 OF 1

E