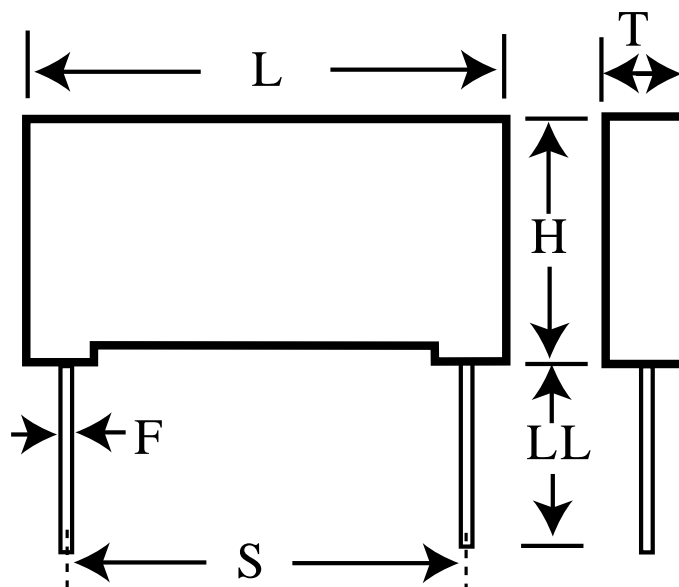


R82DC4100DQ60J

aka 82DC4100DQ60J

Capacitor, film, 1 uF, 5% Tol, 63V@85C, Lead Spacing=5mm



Dimensions (mm)

Specifications

ID	Dimension	Tolerance	Manufacturer:	KEMET
S	5	+/-0.4	Brand:	Arcotronics
T	5	+0.1	Application:	DC General Purpose
LL	18.5	+/-0.5	Capacitance:	1 uF
L	7.2	+0.3	Tolerance:	5%
F	0.5	+/-0.05	Temperature Range:	-55/+105C
H	10	+0.1	Climate Category:	55/105/56
			Voltage DC @ 85C:	63V
			Voltage DC @ 100C:	51.2V
			Voltage DC @ 105C:	47.3V
			Voltage AC:	40VAC
			Voltage AC Temperature:	85C
			Approval UL:	No
			Approval ENEC:	No
			Approval CUL:	No
			Approval CSA:	No
			Dielectric:	Metallized Polyester
			Construction:	Stacked
			Dissipation Factor @ 1 KHz:	0.8%
			Dissipation Factor @ 10 KHz:	1.2%
			Inductance:	7 nH
			Maximum dVdT:	160v/s
			Maximum K0:	20000
			Body Type:	Radial Box
			Package Kind:	Ammo
			Package Type:	Box
			Package Quantity:	1700