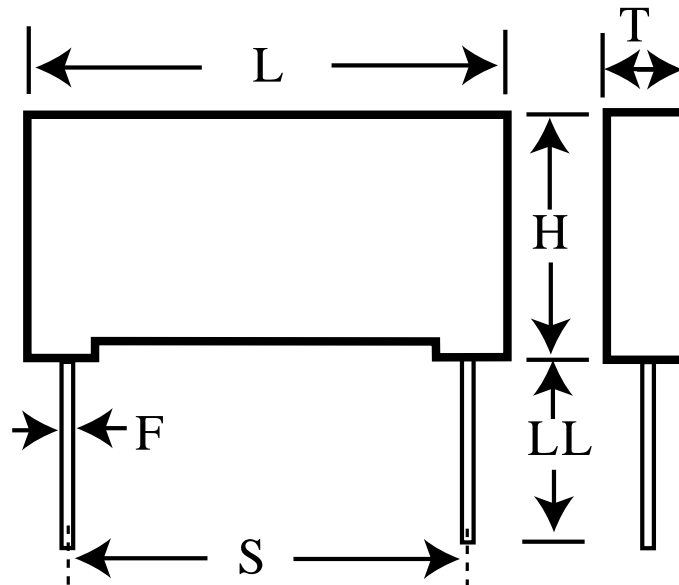


R82DC4100DQ60J

aka 82DC4100DQ60J

Capacitor, film, 1 uF, +/-5% Tol, -55/+105C, General Purpose, 63V@85C, Lead Spacing=5 mm



Dimensions (mm)

Specifications

ID	Dimension	Tolerance	Manufacturer:	KEMET
L	7.2	+0.3	Brand:	Arcotronics
H	10	+0.1	Capacitance:	1 uF
T	5	+0.1	Temperature Range:	-55/+105C
S	5	+/-0.4	Rated Temperature:	85C
LL	18.5	+/-0.5	Voltage @ rated temp:	63V
F	0.5	+/-0.05	Voltage AC:	40VAC
			Tolerance:	+/-5%
			Body Type:	Radial Box
			Construction:	Stacked
			Application:	General Purpose
			Dissipation Factor @ 1 kHz:	0.8%
			Dissipation Factor @ 10 kHz:	1.2%
			Insulation Resistance:	5 GOhm
			Inductance:	7 nH
			Maximum dVdT:	160v/us
			Maximum K0:	20000V^2/us
			Package Kind:	Ammo
			Package Type:	Box
			Package Quantity:	1700