

PSM-ME-RS232/RS485-P


Order No.: 2744416



<http://eshop.phoenixcontact.de/phoenix/treeViewClick.do?UID=2744416>

Interface converter, for converting RS-232 (V.24) to RS-422 (V.11) and RS-485, with electrical isolation, 2 channels, rail-mountable



Commercial data	
GTIN (EAN)	 4 017918 171780
sales group	H611
Pack	1 pcs.
Customs tariff	85176200
Catalog page information	Page 489 (IF-2011)

Product notes

WEEE/RoHS-compliant since:
07/14/2006



<http://www.download.phoenixcontact.com>
Please note that the data given here has been taken from the online catalog. For comprehensive information and data, please refer to the user documentation. The General Terms and Conditions of Use apply to Internet downloads.

Technical data

Serial interface	
Interface 1	V.24 (RS-232) interface in acc. with ITU-T V.28, EIA/TIA-232, DIN 66259-1
Connection method	D-SUB-9 male connector
Conductor cross section stranded min.	0.2 mm ²

Conductor cross section stranded max.	2.5 mm ²
Conductor cross section AWG/kcmil min.	24
Conductor cross section AWG/kcmil max	14
Serial transmission speed	115.2 kbps
Interface 2	RS-422 interface in acc. with ITU-T V.11, EIA/TIA-422, DIN 66348-1
Termination resistor	150 Ω can be connected; pull up/down 390 Ω
Transmission length	1200 m (twisted pair)
Connection method	Pluggable screw connection
Conductor cross section stranded min.	0.2 mm ²
Conductor cross section stranded max.	2.5 mm ²
Conductor cross section AWG/kcmil min.	24
Conductor cross section AWG/kcmil max	14
Serial transmission speed	115.2 kbps
Interface 3	RS-485 interface in acc. with EIA/TIA-485, DIN 66259-1
Connection method	Pluggable screw connection
Transmission length	1200 m (twisted pair)
Termination resistor	150 Ω can be connected; pull up/down 390 Ω
Conductor cross section stranded max.	2.5 mm ²
Conductor cross section stranded min.	0.2 mm ²
Conductor cross section AWG/kcmil max	14
Conductor cross section AWG/kcmil min.	24
Data direction switching	Automatic control or via RTS/CTS
Serial transmission speed	115.2 kbps

Power supply

Nominal supply voltage	24 V AC/DC ±20 %
Typical current consumption	85 mA (24 V DC)

General data

Transmission channels	2 (1/1), RxD, TxD, full duplex
Bit delay	≤ 3 μs
Bit distortion	≤ 5 %
Width	22.5 mm
Height	99 mm
Depth	118.6 mm
Ambient temperature (operation)	0 °C ... 55 °C

Ambient temperature (storage/transport)	-20 °C ... 85 °C
Permissible humidity (operation)	10 % ... 95 % (no condensation)
Electrical isolation	(VCC // V.24 (RS-232) // RS-485)
Test voltage data interfaces	2 kV AC
Test voltage data interface/power supply	2 kV AC
	2 kV
Electromagnetic compatibility	Conformance with EMC Directive 2004/108/EC
Noise emission	EN 50 081-1
Noise immunity	EN 61000-6-2:2005
Net weight	120 g
Housing material	PA
Color	green
MTBF	923 Years (Telcordia standard, 25°C temperature, 21% operating cycle (5 days a week, 8 hours a day))
	179 Years (Telcordia standard, 40°C temperature, 34.25% operating cycle (5 days a week, 12 hours a day))
UL, USA / Canada	Class I, Div. 2, Groups A, B, C, D

Certificates / Approvals



Certification	CUL, DNV, GOST, UL
Certification Ex:	CUL-EX, UL-EX

Accessories

Item	Designation	Description
------	-------------	-------------

Assembly

2853899	ME-SAS	Shield connection clamp for printed circuit terminal block
---------	--------	--

Cable/conductor

2761059	PSM-KA 9 SUB 25/BB/2METER	RS-232 cable, 9-pos. D-SUB female connector 25-pos on D-SUB female connector
2799474	PSM-KA9SUB9/BB/2METER	RS-232 cable, 9-pos. D-SUB female connector on 9-pos. D-SUB female connector, 9-wire, 1:1

General

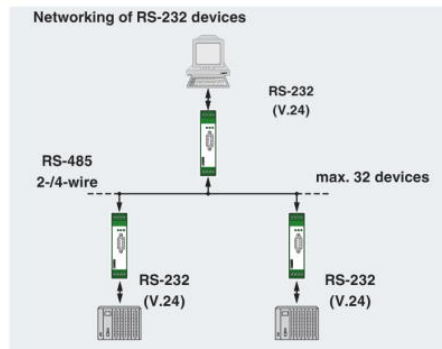
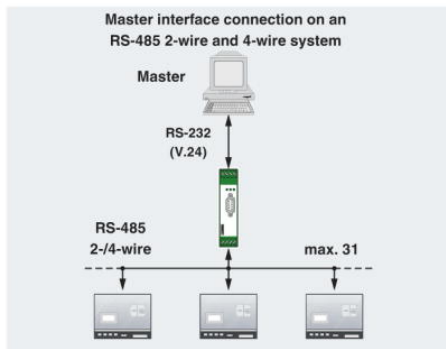
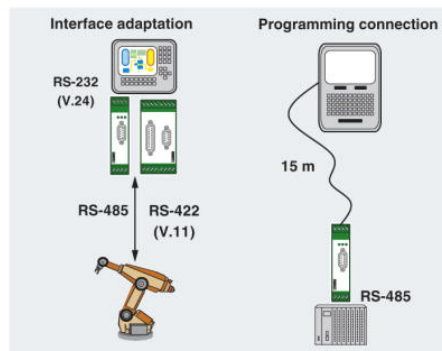
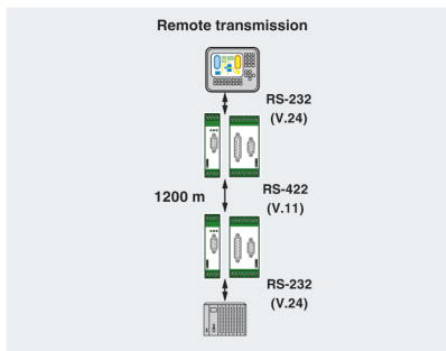
2313944	PSI-TERMINATOR-PB	Active termination resistor with redundant voltage supply for PROFIBUS and RS-485 bus systems. Compact design. Electrical isolation between supply and data interface. Bus termination can be switched. Integrated programming interface.
---------	-------------------	---

Tools

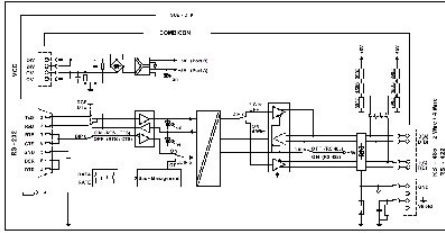
1204517	SZF 1-0,6X3,5	Actuation tool, for ST terminal blocks, also suitable for use as a bladed screwdriver, size: 0.6 x 3.5 x 100 mm, 2-component grip, with non-slip grip
---------	---------------	---

Diagrams/Drawings

Application drawing



Circuit diagram



Address

PHOENIX CONTACT Inc., USA
586 Fulling Mill Road
Middletown, PA 17057, USA
Phone (800) 888-7388
Fax (717) 944-1625
<http://www.phoenixcon.com>



© 2011 Phoenix Contact
Technical modifications reserved;