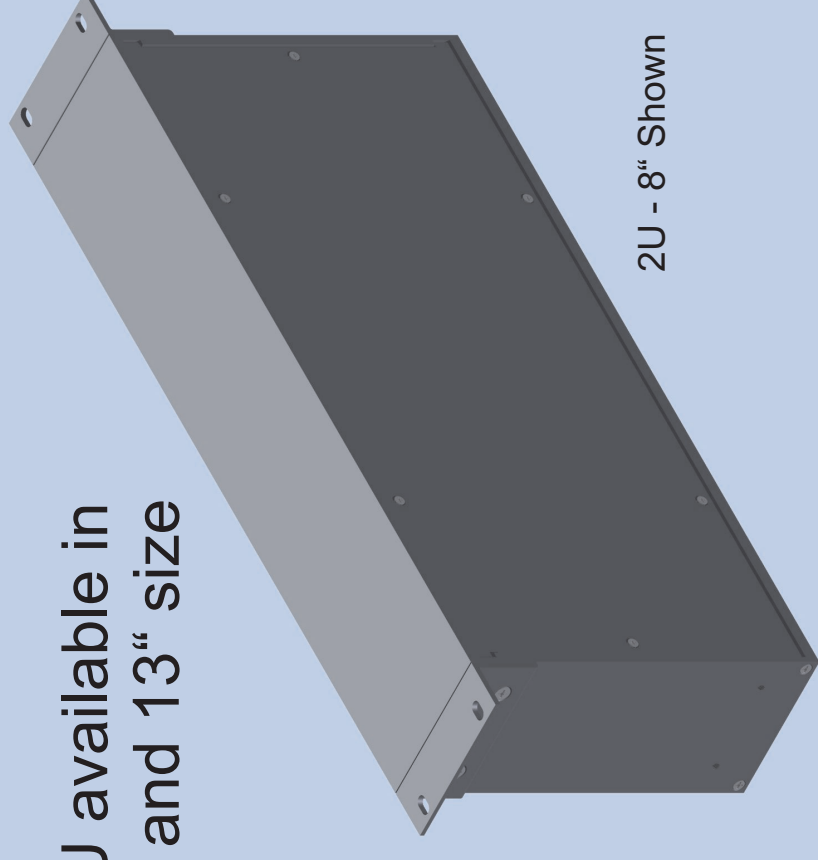


**Features:**

- Aluminum Extruded Frame
- Aluminum Top and Bottom Plate
- Black Powder Coat Finish
- Unique Assembly
- Solid or Vented Styles

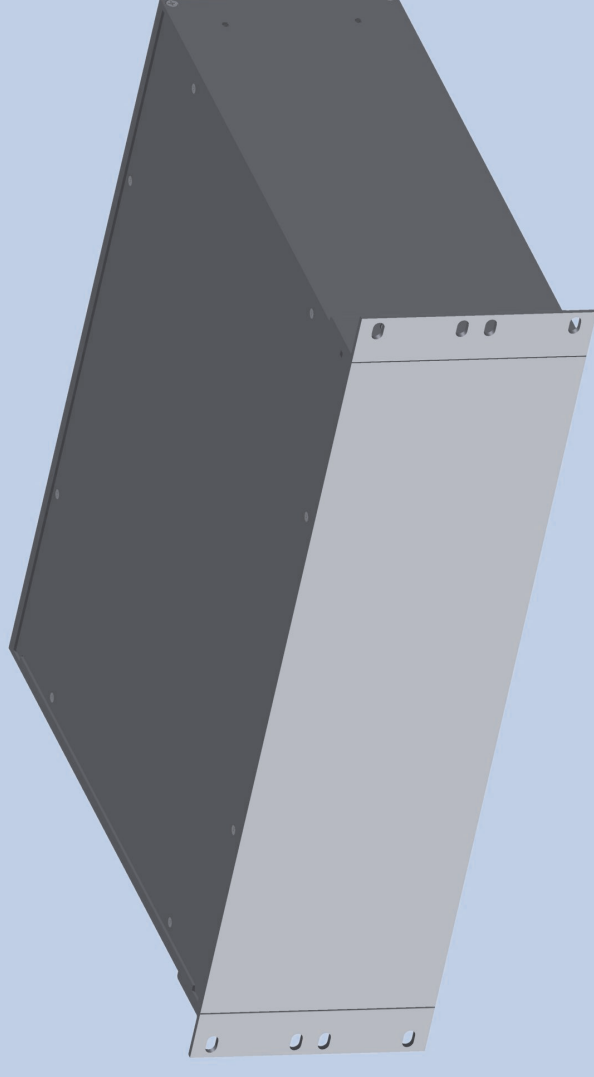
# NEW RM Series

2U available in 8" and 13" size

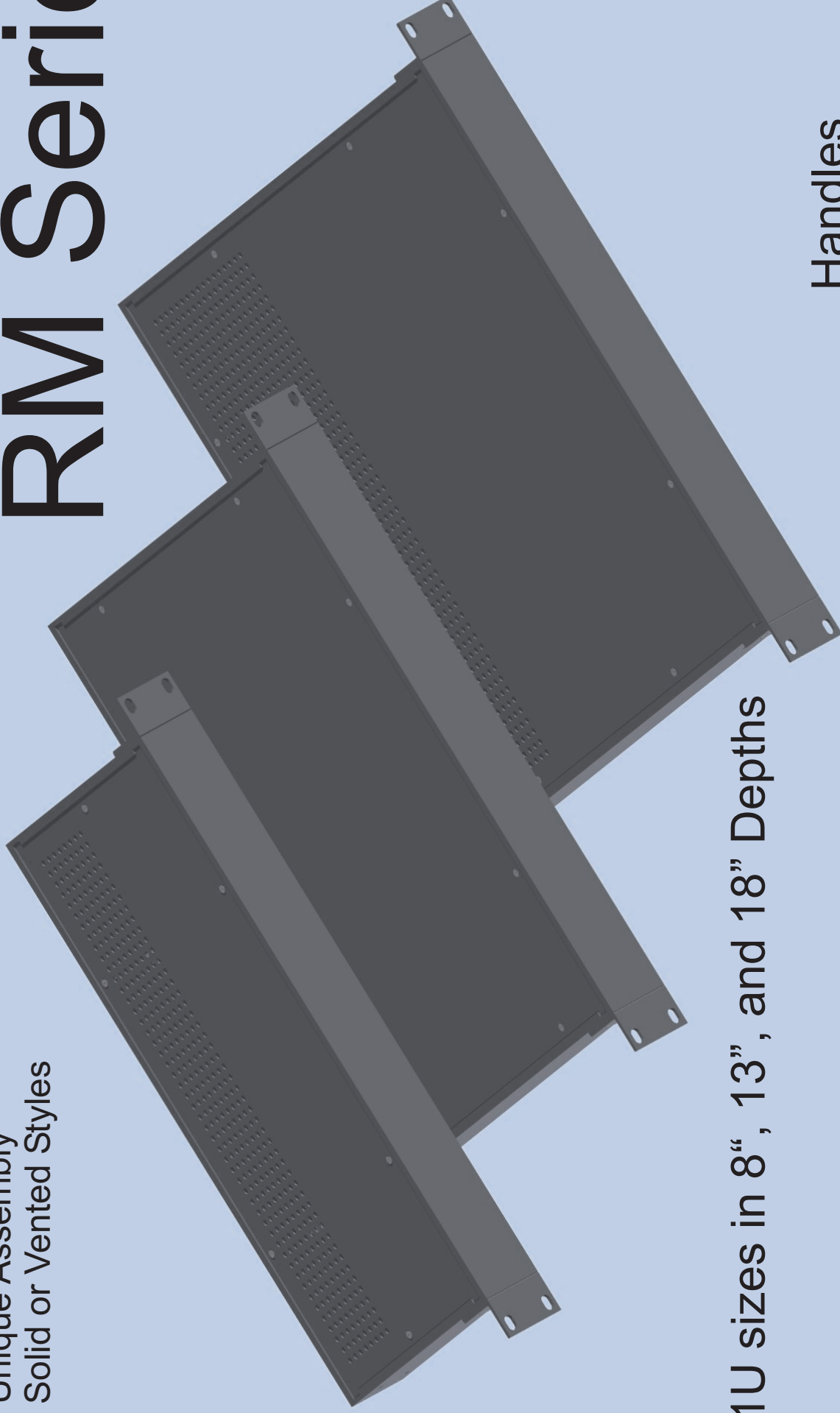


2U - 8" Shown

3U available in 8" and 13" size



3U - 13" Shown



1U sizes in 8", 13", and 18" Depths

**Handles**

- 1U - 1427B2BK
- 2U - 1427E1BK
- 3U - 1427P1BK

**REAR BRACKET KIT**

Fits 18" SIZE - RM1U18BRKT

RM Series (19" Aluminum Rackmount / Table Top Case)									
Part Number	Ext. Dimensions (in)			Options					
	H	W	D	W/ Vented Panels	Pull Handles	Rear Bracket Kit			
RM1U1908SBK	1.75 (1U)	16.6	8	Yes	8	-			
RM1U1913SBK	1.75 (1U)	16.6	13	Yes	13	-			
RM1U1918SBK	1.75 (1U)	16.6	18	Yes	18	Yes			
RM2U1908SBK	3.50 (2U)	16.6	8	Yes	8	-			
RM2U1913SBK	3.50 (2U)	16.6	13	Yes	13	-			
RM3U1908SBK	5.25 (3U)	16.6	8	Yes	8	-			
RM3U1913SBK	5.25 (3U)	16.6	13	Yes	13	-			

# 19" Rack Mount Enclosures

Can be ordered fully customized Milling, Drilling, Silk Screening PCB Stand-offs etc.



www.hammondmfg.com