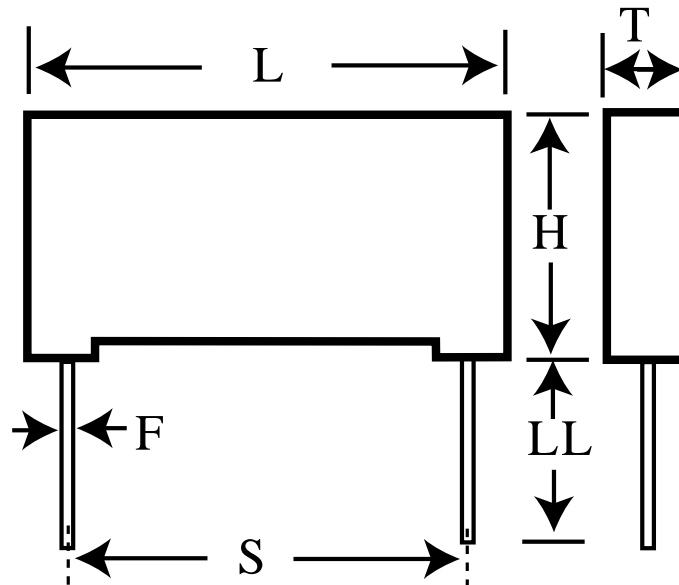


# PME271E510MR30

aka P277QE103M300A

Capacitor, film, 0.01 uF, +/-20% Tol, -40/+110C, Safety: X1, 300VAC,  
Lead Spacing=15.2 mm



## Dimensions (mm)

## Specifications

ID	Dimension	Tolerance	Manufacturer:	KEMET
L	18.5	max	Brand:	Rifa
H	10.5	max	Capacitance:	0.01 uF
T	5.2	max	Temperature Range:	-40/+110C
S	15.2	+/-0.4	Rated Temperature:	110C
LL	30	nom	Voltage @ rated temp:	630V
F	0.8	nom	Voltage AC:	300VAC
			Tolerance:	+/-20%
			Body Type:	Radial Molded
			Construction:	Wound
			Application:	Safety: X1
			Dissipation Factor @ 1 kHz:	1.3%
			Insulation Resistance:	12 GOhm
			Maximum dVdT:	1200v/us
			UL_1283:	250V
			IEC_60384-14:	300V
			EN_132400:	300V
			Miscellaneous Electrical:	fo= 16 MHz series(PME271E)
			Package Kind:	Bulk
			Package Quantity:	500