

# PSM-ME-RS232/RS485-P


Order No.: 2744416



<http://eshop.phoenixcontact.de/phoenix/treeViewClick.do?UID=2744416>

Interface converter, for converting RS-232 (V.24) to RS-422 (V.11) and RS-485, with electrical isolation, 2 channels, rail-mountable



| Commercial data          |  |
|--------------------------|--|
| GTIN (EAN)               | <br>4 017918 171780 |
| sales group              | H611   |
| Pack                     | 1 pcs.   |
| Customs tariff           | 85176200   |
| Catalog page information | Page 489 (IF-2011)   |

#### Product notes

WEEE/RoHS-compliant since:  
07/14/2006



<http://www.download.phoenixcontact.com>  
Please note that the data given here has been taken from the online catalog. For comprehensive information and data, please refer to the user documentation. The General Terms and Conditions of Use apply to Internet downloads.

## Technical data

| Serial interface                      |   |
|---------------------------------------|---|
| Interface 1                           | V.24 (RS-232) interface in acc. with ITU-T V.28, EIA/TIA-232, DIN 66259-1 |
| Connection method                     | D-SUB-9 male connector  |
| Conductor cross section stranded min. | 0.2 mm <sup>2</sup>   |

|  |  |
|--|--|
| Conductor cross section stranded max.  | 2.5 mm <sup>2</sup>  |
| Conductor cross section AWG/kcmil min. | 24   |
| Conductor cross section AWG/kcmil max  | 13   |
| Serial transmission speed              | 115.2 kbps   |
| Interface 2                            | RS-422 interface in acc. with ITU-T V.11, EIA/TIA-422, DIN 66348-1 |
| Termination resistor                   | 150 Ω can be connected; pull up/down 390 Ω                         |
| Transmission length                    | 1200 m (twisted pair)  |
| Connection method                      | Pluggable screw connection   |
| Conductor cross section stranded min.  | 0.2 mm <sup>2</sup>  |
| Conductor cross section stranded max.  | 2.5 mm <sup>2</sup>  |
| Conductor cross section AWG/kcmil min. | 24   |
| Conductor cross section AWG/kcmil max  | 13   |
| Serial transmission speed              | 115.2 kbps   |
| Interface 3                            | RS-485 interface in acc. with EIA/TIA-485, DIN 66259-1             |
| Connection method                      | Pluggable screw connection   |
| Transmission length                    | 1200 m (twisted pair)  |
| Termination resistor                   | 150 Ω can be connected; pull up/down 390 Ω                         |
| Conductor cross section stranded max.  | 2.5 mm <sup>2</sup>  |
| Conductor cross section stranded min.  | 0.2 mm <sup>2</sup>  |
| Conductor cross section AWG/kcmil max  | 14   |
| Conductor cross section AWG/kcmil min. | 24   |
| Data direction switching               | Automatic control or via RTS/CTS                                   |
| Serial transmission speed              | 115.2 kbps   |

**Power supply**

|                             |                  |
|-----------------------------|------------------|
| Nominal supply voltage      | 24 V AC/DC ±20 % |
| Typical current consumption | 85 mA (24 V DC)  |

**General data**

|                                 |                                |
|---------------------------------|--------------------------------|
| Transmission channels           | 2 (1/1), RxD, TxD, full duplex |
| Bit delay                       | ≤ 3 μs                         |
| Bit distortion                  | ≤ 5 %                          |
| Width                           | 22.5 mm                        |
| Height                          | 99 mm                          |
| Depth                           | 118.6 mm                       |
| Ambient temperature (operation) | 0 °C ... 55 °C                 |

|  |  |
|--|--|
| Ambient temperature (storage/transport)  | -40 °C ... 85 °C   |
| Permissible humidity (operation)         | 10 % ... 95 % (no condensation)  |
| Electrical isolation                     | (VCC // V.24 (RS-232) // RS-485)   |
| Test voltage data interfaces             | 2 kV AC  |
| Test voltage data interface/power supply | 2 kV AC  |
|  | 2 kV   |
| Electromagnetic compatibility            | Conformance with EMC Directive 2004/108/EC   |
| Noise emission                           | EN 50 081-1  |
| Noise immunity                           | EN 61000-6-2:2005  |
| Net weight                               | 120 g  |
| Housing material                         | PA   |
| Color                                    | green  |
| MTBF                                     | 923 Years (Telcordia standard, 25°C temperature, 21% operating cycle (5 days a week, 8 hours a day))     |
|  | 179 Years (Telcordia standard, 40°C temperature, 34.25% operating cycle (5 days a week, 12 hours a day)) |
| UL, USA / Canada                         | Class I, Div. 2, Groups A, B, C, D   |

#### Certificates / Approvals



|                   |                    |
|-------------------|--------------------|
| Certification     | CUL, DNV, GOST, UL |
| Certification Ex: | CUL-EX, UL-EX      |

#### Accessories

| Item | Designation | Description |
|------|-------------|-------------|
|------|-------------|-------------|

#### Assembly

|         |        |  |
|---------|--------|--|
| 2853899 | ME-SAS | Shield connection clamp for printed circuit terminal block |
|---------|--------|--|

#### Cable/conductor

|         |                           |   |
|---------|---------------------------|---|
| 2761059 | PSM-KA 9 SUB 25/BB/2METER | RS-232 cable, 9-pos. D-SUB female connector 25-pos on D-SUB female connector              |
| 2799474 | PSM-KA9SUB9/BB/2METER     | RS-232 cable, 9-pos. D-SUB female connector on 9-pos. D-SUB female connector, 9-wire, 1:1 |

**General**

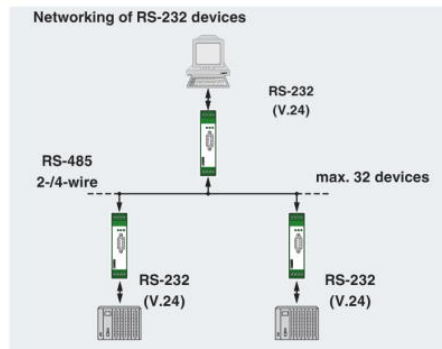
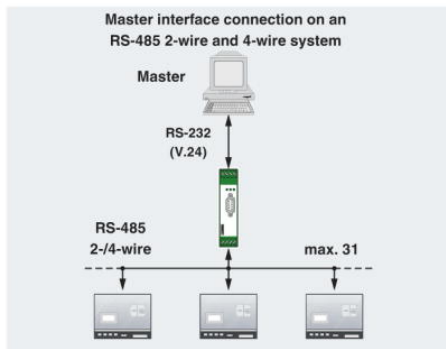
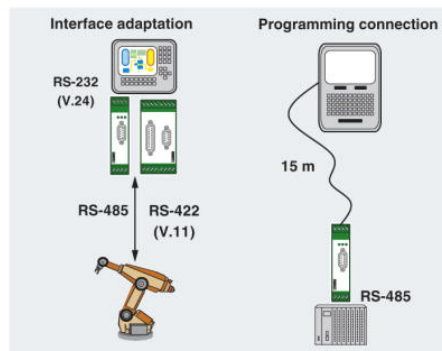
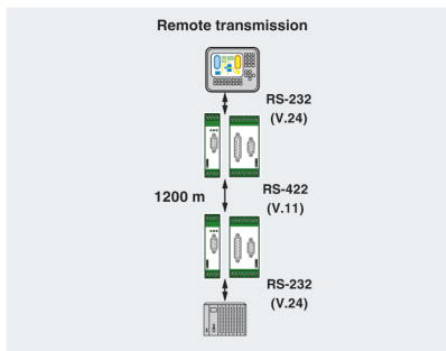
|         |                   |   |
|---------|-------------------|---|
| 2313944 | PSI-TERMINATOR-PB | Active termination resistor with redundant voltage supply for PROFIBUS and RS-485 bus systems. Compact design. Electrical isolation between supply and data interface. Bus termination can be switched. Integrated programming interface. |
|---------|-------------------|---|

**Tools**

|         |               |   |
|---------|---------------|---|
| 1204517 | SZF 1-0,6X3,5 | Actuation tool, for ST terminal blocks, also suitable for use as a bladed screwdriver, size: 0.6 x 3.5 x 100 mm, 2-component grip, with non-slip grip |
|---------|---------------|---|

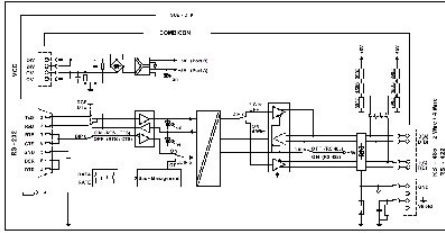
**Diagrams/Drawings**

Application drawing



Circuit diagram

---



**Address**

PHOENIX CONTACT Inc., USA  
586 Fulling Mill Road  
Middletown, PA 17057, USA  
Phone (800) 888-7388  
Fax (717) 944-1625  
<http://www.phoenixcon.com>



© 2012 Phoenix Contact  
Technical modifications reserved;