

ME 22,5 UT/FE LBGY

Order No.: 2909840

Illustration shows fully mounted versions of the electronic housing, in green

<http://eshop.phoenixcontact.de/phoenix/treeViewClick.do?UID=2909840>

Lower part of housing, fully assembled, with integrated functional earth ground contact, and metal foot catch.

Commercial data	
GTIN (EAN)	4017918415532
sales group	F050
Pack	100 pcs.
Customs tariff	85369010
Weight/Piece	0.044 KG

Product notes

WEEE/RoHS-compliant since:
04/01/2005

<http://www.download.phoenixcontact.com>
Please note that the data given here has been taken from the online catalog. For comprehensive information and data, please refer to the user documentation. The General Terms and Conditions of Use apply to Internet downloads.

Certificates / Approvals



Certification

CUL, UL

CUL

Nominal voltage U_N	300 V
Nominal current I_N	10 A
AWG/kcmil	30-12

UL

Nominal voltage U_N	300 V
Nominal current I_N	10 A
AWG/kcmil	30-12

Accessories

Item	Designation	Description
Assembly		
2853404	ME 45 UTM GN	Intermediate element for modular extension of the volume of the housing in the pitch. The open intermediate element is 22.5 mm wide.
2853404	ME 45 UTM GN	Intermediate element for modular extension of the volume of the housing in the pitch. The open intermediate element is 22.5 mm wide.
2853417	ME 45 UTMG GN	Intermediate element for modular extension of the volume of the housing in the pitch. The closed intermediate element is 22.5 mm wide.
2907143	ME B-22,5 MKDSO GN	Filler plugs, for unoccupied terminal points
2906911	ME LPZS	PCB stop, for soldering onto PCB
2906911	ME LPZS	PCB stop, for soldering onto PCB
2908281	ME MF 17,5	Metal foot catch, for intermediate elements.
2908281	ME MF 17,5	Metal foot catch, for intermediate elements.
2853899	ME-SAS	Shield connection clamp for printed circuit terminal block

General

2909950	ME B-22,5 MSTBO BEIGE	Electronic housing
2906908	ME LP	PCB, for custom fitting, with contact to DIN rail (EN 60715)

Plug/Adapter

1734634	CP-MSTB	Keying profile, is inserted into the slot on the plug or inverted header, red insulating material
1734401	CR-MSTB	Coding section, inserted into the recess in the header or the inverted plug, red insulating material
2908294	ME FE-CONTACT	Functional earth ground contact, for intermediate elements.

2908294	ME FE-CONTACT	Functional earth ground contact, for intermediate elements.
---------	---------------	---

Additional products

Item	Designation	Description
------	-------------	-------------

Assembly

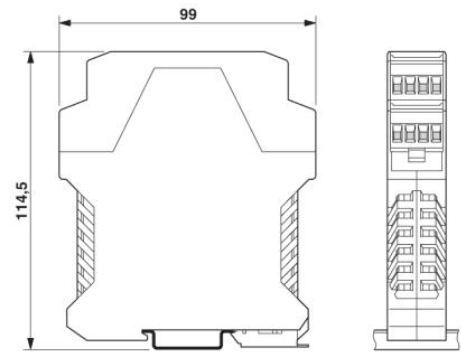
2907172	ME 22,5 OT-MKDSO GN	Housing upper part, for printed circuit terminal block connection
2907473	ME 22,5 OT-MKDSO SET	Housing upper part, complete with PCB termination blocks for full equipping. 16-pos., housing width: 22.5 mm
2907169	ME 22,5 OT-MSTBO GN	Upper part of housing, for COMBICON connection, double-level
2907444	ME 22,5 OT-MSTBO SET	Housing upper part, complete with 4 pairs of COMBICON headers and plugs

General

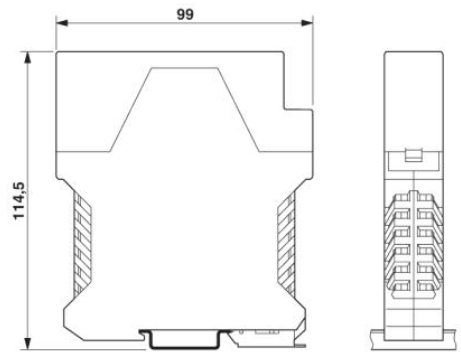
2709558	ME 22,5 OT-1MSTBO GN	Upper part of housing, for COMBICON connection, single-level
---------	----------------------	--

Diagrams/Drawings

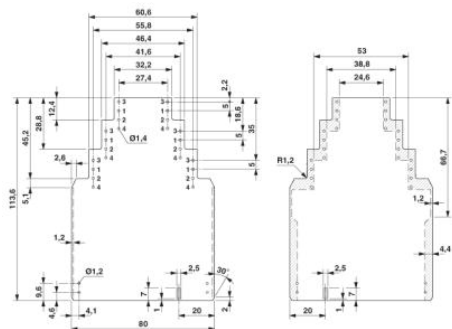
Dimensioned drawing



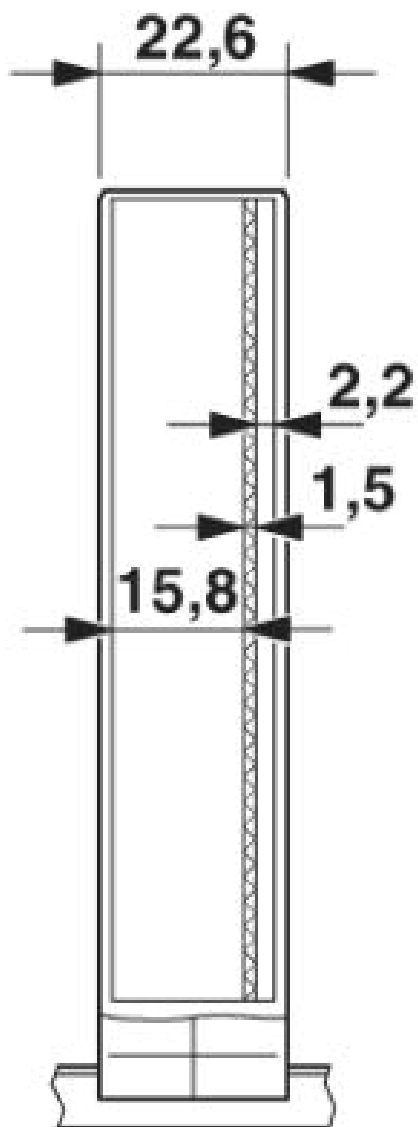
Dimensions of the electronic housing ME... with double-level upper part



Dimensions of the electronic housing ME... with single-level upper part



Dimensional drawing of the ME... printed circuit board if the triple-level upper part is used



Inner housing dimensions, electronic housing ME 22.5 ...

Address

PHOENIX CONTACT Inc., USA
586 Fulling Mill Road
Middletown, PA 17057, USA
Phone (800) 888-7388
Fax (717) 944-1625
<http://www.phoenixcon.com>



© 2010 Phoenix Contact
Technical modifications reserved;