

# ME 45 UTG/FE GN


Order No.: 2909387

Illustration shows a fully mounted version of the electronic housing



<http://eshop.phoenixcontact.de/phoenix/treeViewClick.do?UID=2909387>

Lower part of housing, housing closed, fully assembled, with integrated functional earth ground contact, and metal foot catch

Commercial data	
GTIN (EAN)	 4 017918 171483
Note	Made-to-order
sales group	F050
Pack	10 pcs.
Customs tariff	85472000
Catalog page information	Page 601 (CC-2011)

#### Product notes

WEEE/RoHS-compliant since:  
04/01/2005



<http://www.download.phoenixcontact.com>  
Please note that the data given here has been taken from the online catalog. For comprehensive information and data, please refer to the user documentation. The General Terms and Conditions of Use apply to Internet downloads.

## Technical data

General	
Housing type	Component housing
Housing material	Polyamide
Color	green

**Dimensions / positions**

Length	99 mm
Width	45 mm
Number of positions	32
	8

**Technical data**

Ambient temperature (operation)	-40 °C ... 105 °C
Inflammability class acc. to UL 94	V0
Power dissipation at 20°C in the horizontal mounting position	7.6 W 14.1 W

**Accessories**

Item	Designation	Description
<b>Assembly</b>		
2853404	ME 45 UTM GN	Intermediate element for modular extension of the volume of the housing in the pitch. The open intermediate element is 22.5 mm wide.
2853417	ME 45 UTMG GN	Intermediate element for modular extension of the volume of the housing in the pitch. The closed intermediate element is 22.5 mm wide.
2853417	ME 45 UTMG GN	Intermediate element for modular extension of the volume of the housing in the pitch. The closed intermediate element is 22.5 mm wide.
2907143	ME B-22,5 MKDSO GN	Filler plugs, for unoccupied terminal points
2907156	ME B-22,5 MSTBO GN	Filler plugs, for unoccupied terminal points
2906911	ME LPZS	PCB stop, for soldering onto PCB
2906911	ME LPZS	PCB stop, for soldering onto PCB
2908281	ME MF 17,5	Metal foot catch, for intermediate elements.
2908281	ME MF 17,5	Metal foot catch, for intermediate elements.
2853899	ME-SAS	Shield connection clamp for printed circuit terminal block

**General**

2906908	ME LP	PCB, for custom fitting, with contact to DIN rail (EN 60715)
---------	-------	--

**Plug/Adapter**

1734634	CP-MSTB	Keying profile, is inserted into the slot on the plug or inverted header, red insulating material
1734401	CR-MSTB	Coding section, inserted into the recess in the header or the inverted plug, red insulating material

2908294	ME FE-CONTACT	Functional earth ground contact, for intermediate elements.
2908294	ME FE-CONTACT	Functional earth ground contact, for intermediate elements.

**Additional products**

Item	Designation	Description
------	-------------	-------------

**Assembly**

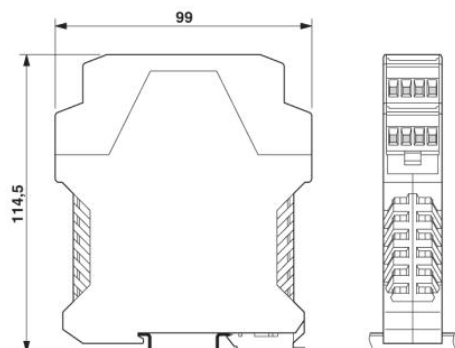
2909390	ME 45 OT-MKDSO GN	Housing upper part, for printed circuit terminal block connection
---------	-------------------	---

**General**

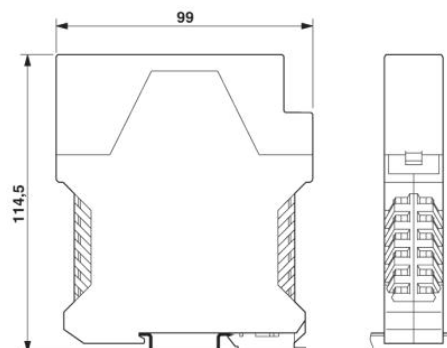
2709192	ME 45 OT-1MSTBO GN	Upper part of housing, for COMBICON connection, single-level
2909345	ME 45 OT-MKDSO SET	Housing upper part, complete with PCB termination blocks for full equipping. 32-pos., housing width: 45 mm
2909743	ME 45 OT-MSTBO GN	Upper part of housing, double-level, for COMBICON connection, housing width: 45 mm
2909905	ME 45 OT-MSTBO SET	Housing upper part, complete with COMBICON headers and screw plugs for full equipping. 32-pos., housing width: 45 mm

**Diagrams/Drawings**

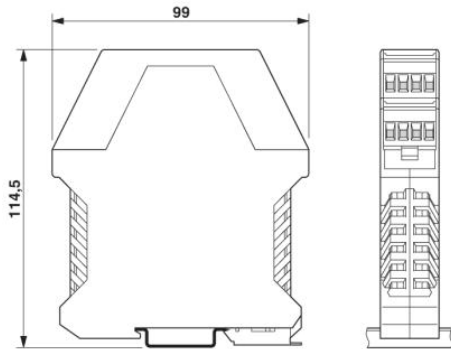
Dimensioned drawing



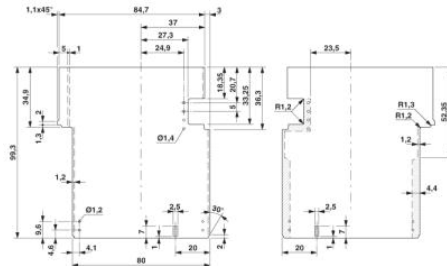
Dimensions of the electronic housing ME... with double-level upper part



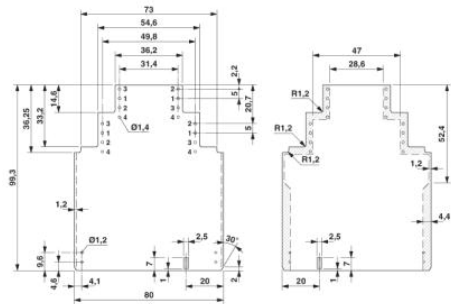
Dimensions of the electronic housing ME... with single-level upper part



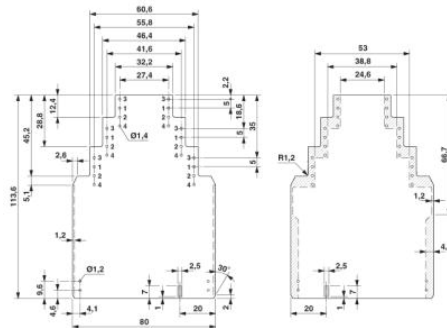
Dimensions of the electronic housing ME... with double-level upper part



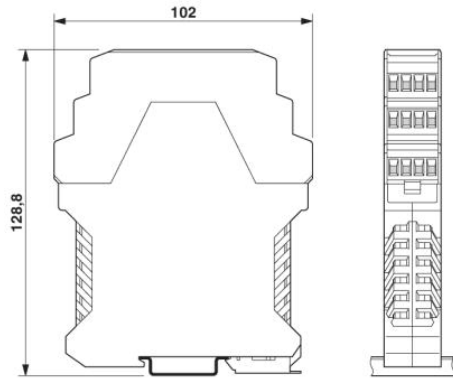
Dimensional drawing of the ME... printed circuit board if the single level upper part is used



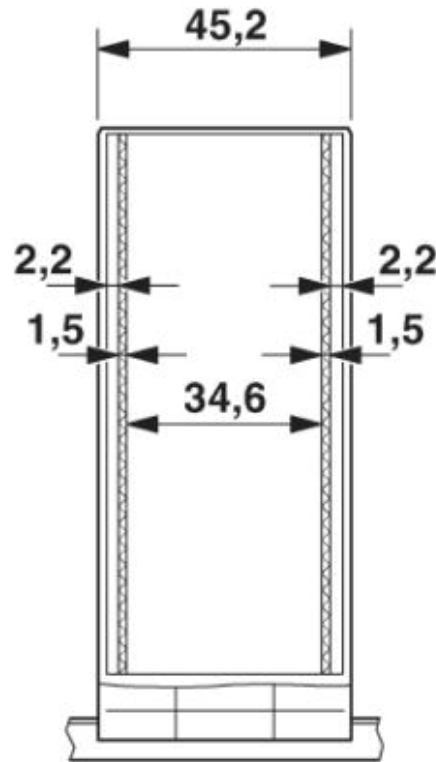
Dimensional drawing of the ME... printed circuit board if the double level upper part is used



Dimensional drawing of the ME... printed circuit board if the triple-level upper part is used

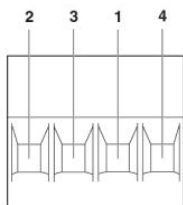


Dimensional drawing of the ME... printed circuit board if the triple-level upper part is used

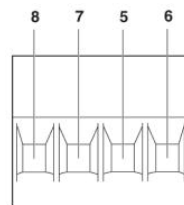
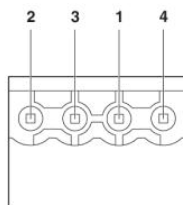


Inner housing dimensions, electronic housing ME 45 ...

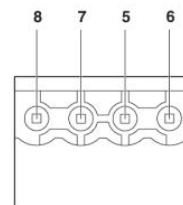
Schematic diagram



Pin assignment left



Pin assignment right



**Address**

PHOENIX CONTACT Inc., USA  
586 Fulling Mill Road  
Middletown, PA 17057, USA  
Phone (800) 888-7388  
Fax (717) 944-1625  
<http://www.phoenixcon.com>



© 2011 Phoenix Contact  
Technical modifications reserved;