

ME MAX 22,5 SF G 2-2 KMGY


Order No.: 2869362

The illustration shows the housing versions

<http://eshop.phoenixcontact.de/phoenix/treeViewClick.do?UID=2869362>

Electronic housing consisting of: Housing shells left and right, front plate, transparent cover, metal foot catch and spring, enclosed housing, 16-pos. (4 x 4 pos.), design: Extra flat, width: 22,5 mm, color: Light gray

Commercial data

| | |
|--------------------------|--|
| GTIN (EAN) |  4 017918 975098 |
| sales group | F052 |
| Pack | 10 pcs. |
| Customs tariff | 85472000 |
| Catalog page information | Page 620 (CC-2011) |

Product notes

WEEE/RoHS-compliant since:
04/01/2005

<http://www.download.phoenixcontact.com>
Please note that the data given here has been taken from the online catalog. For comprehensive information and data, please refer to the user documentation. The General Terms and Conditions of Use apply to Internet downloads.

Technical data

General

| | |
|------------------|------------------|
| Housing type | Complete housing |
| Housing material | Polyamide |
| Color | light gray |

Dimensions / positions

| | |
|-----------------------|---------|
| Length | 85 mm |
| Constructional height | 70.4 mm |
| Width | 22.5 mm |
| Number of positions | 16 |

Technical data

| | |
|---|-------------------|
| Ambient temperature (operation) | -40 °C ... 105 °C |
| Inflammability class acc. to UL 94 | V0 |
| Power dissipation at 20°C in the horizontal mounting position | 5.5 W 9.6 W |

Certificates / Approvals

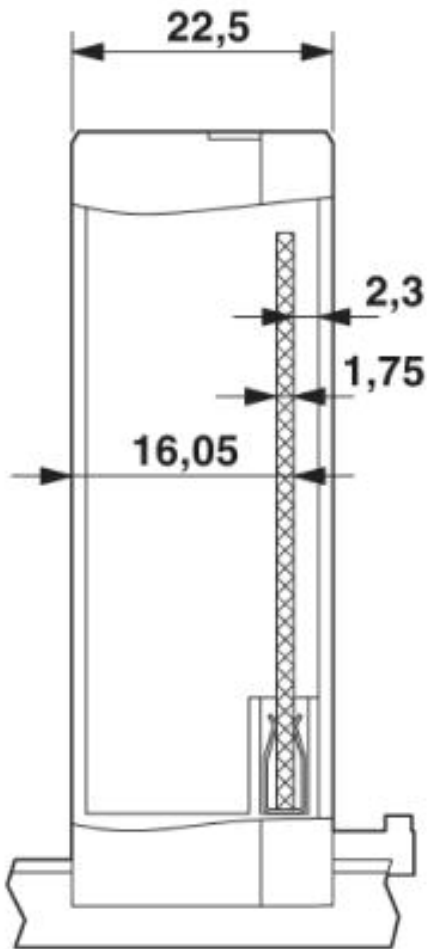


Certification

CUL, UL

Accessories

| Item | Designation | Description |
|---------|---------------|---|
| 2908294 | ME FE-CONTACT | Functional earth ground contact, for intermediate elements. |



Housing inner dimensions ME MAX... Flat/
extra-flat

Address

PHOENIX CONTACT Inc., USA
586 Fulling Mill Road
Middletown, PA 17057, USA
Phone (800) 888-7388
Fax (717) 944-1625
<http://www.phoenixcon.com>



© 2011 Phoenix Contact
Technical modifications reserved;