

Distributed by:

JAMECO[®]
ELECTRONICS

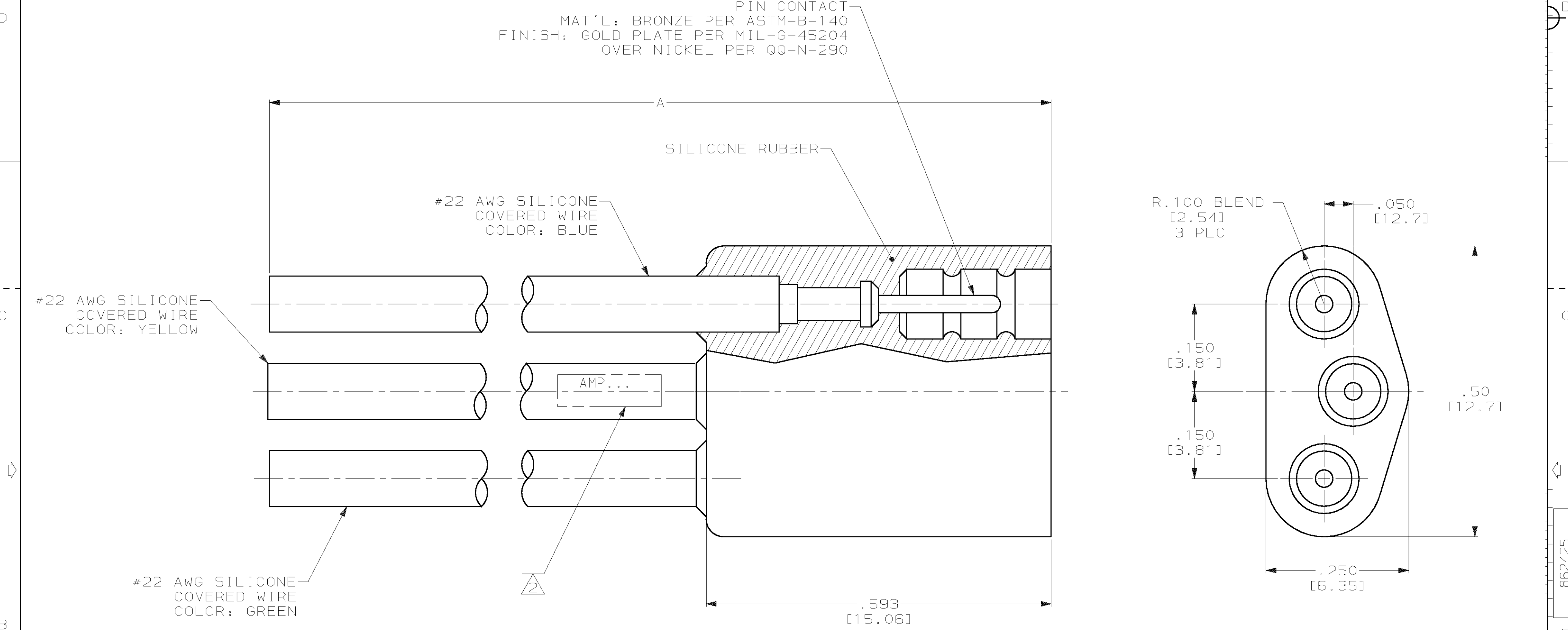
www.Jameco.com ♦ 1-800-831-4242

The content and copyrights of the attached
material are the property of its owner.

Jameco Part Number 759560

THIS DRAWING IS UNPUBLISHED. RELEASED FOR PUBLICATION
 © COPYRIGHT 19 BY AMP INCORPORATED. ALL INTERNATIONAL RIGHTS RESERVED.

REVISIONS									
LOC	DIST	P	F	ZONE	LTR	DESCRIPTION	DATE	APPD	
DF	50					H REV & REDRAWN; 0600-7141-98	CT	1-99	DE



OBSOLETE	72.00 [1828.8]	862425-6
OBSOLETE	16.00 [406.4]	862425-5
	48.00 [1219.2]	862425-4
	24.00 [609.6]	862425-3
	18.00 [457.2]	862425-2
	12.00 [304.8]	862425-1
	DIM A $\triangle 1$	PART NO.

- $\triangle 1$ TOLERANCE: UP TO 24.00 [609.6] = ± 1.2 [± 3.0]
24.00 [609.6] & UP = $\pm 1\%$
- $\triangle 2$ MARKED PER MIL-STD-130 IN APPROX. AREA SHOWN.

DO NOT SCALE PRINT. UNLESS SPECIFIED DIMENSIONS IN INCHES [mm] TOLERANCES ON: 2 PLC DEC $\pm .01$ [0.3] 3 PLC DEC $\pm .005$ [0.13] ANGLES $\pm -$	DR 1-29-99 C.C. THOMAS	AMP Incorporated Harrisburg, PA 17105-3608
SEE CALLOUTS	CHK 1-29-99 D.EABY	
FINISH SEE CALLOUTS	APPD 1-29-99 D.EABY	NAME RCPT, LGH, 3 POSN, MICRO-MIN
	APPD 1-29-99 C.THOMAS	SIZE C 00779
	PRODUCT SPEC -	DRAWING NO 862425
	APPLICATION SPEC -	SCALE 8:1
	WEIGHT -	SHEET 1 OF 1