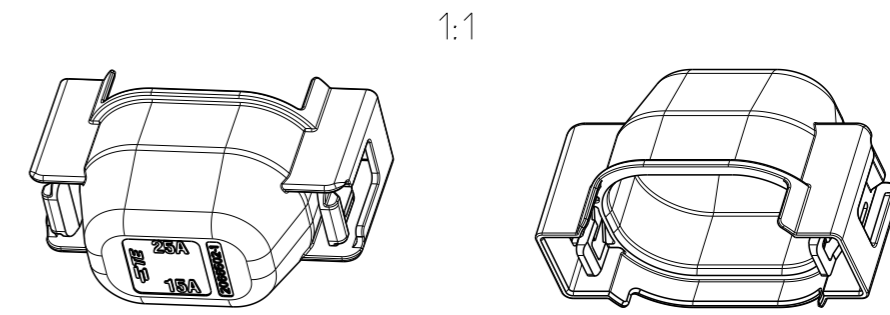
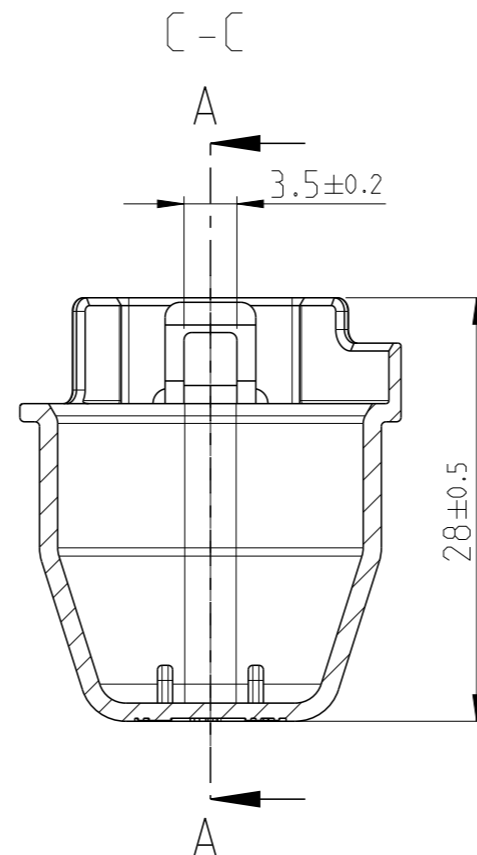
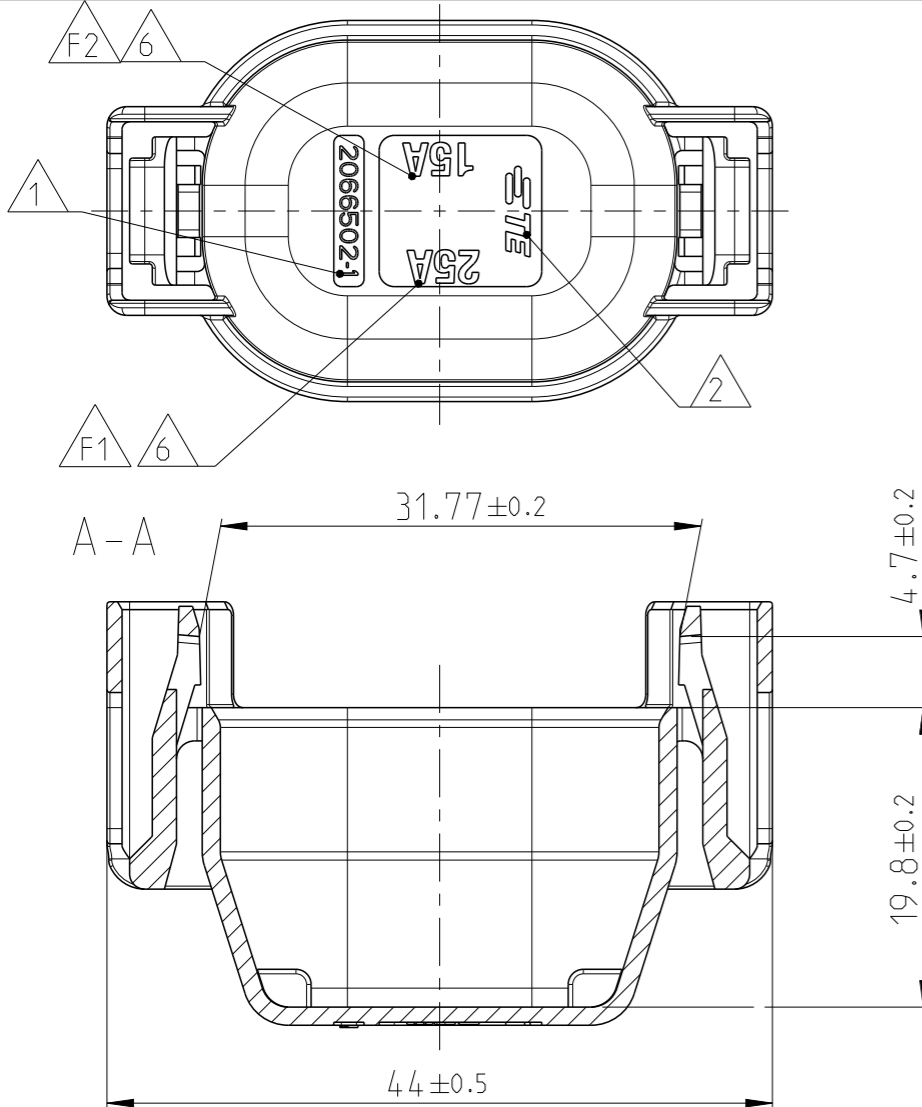


LOC	DIST	REVISIONS					
		P	LTR	DESCRIPTION	DATE	DWN	APVD
IT	-		A	NEW RELEASE	10JUN2014	GG	RK
			A1	ECR-14-010210	08JULY2014	KG	RK

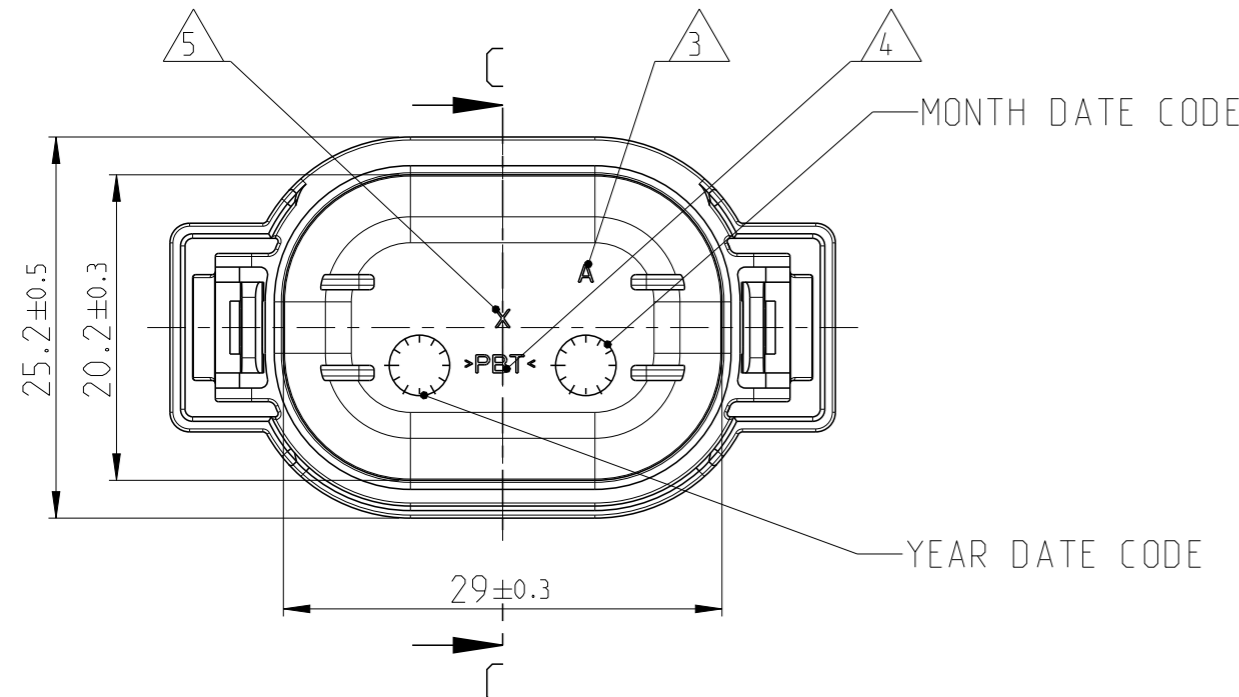
TABLE 1
FUSE CURRENT MATRIX

PART NO.	2066502-1	2066502-2
F1	25A	25A
F2	15A	10A




NOTES:

- ① TE PART NO.
- ② TE TRADEMARK
- ③ PART REVISION INDEX
- ④ MATERIAL IDENTIFICATION
- ⑤ MOLD CAVITY IDENTIFICATION NUMBER
- ⑥ MARKING FOR CURRENT RATING
- ⑦ 15% MAX. PERMITTED REGRIND MATERIAL, PROCESSED IN CLOSED LOOP.
- 8. DRAWING SHOWN FOR P/N: 2066502-1. REFER TABLE 1 FOR DETAILS REGARDING OTHER PART NUMBERS.



TE PART NO	REV	DESCRIPTION	MATERIAL	WEIGHT [g]	SURFACE COLOR	ITEM
2066502-2	A	COVER, MINI FUSE 2POS.	PBT	5	GRAY	2
2066502-1	A	COVER, MINI FUSE 2POS.	PBT	5	BLACK	1

THIS DRAWING IS A CONTROLLED DOCUMENT.

DWN VISHWA. A 19JUN2012	 TE Connectivity COVER, 2POS MINIFUSE BOX HOUSING																						
CHK MADHUL. L 13JUL2012																							
APVD MADHUL. L 13JUL2012																							
PRODUCT SPEC 108-72108																							
MATERIAL SEE TABLE	NAME -																						
<table border="1"> <tr> <td>0 PLC</td> <td>±</td> </tr> <tr> <td>1 PLC</td> <td>±</td> </tr> <tr> <td>2 PLC</td> <td>±</td> </tr> <tr> <td>3 PLC</td> <td>±</td> </tr> <tr> <td>4 PLC</td> <td>±</td> </tr> <tr> <td>ANGLES</td> <td>±1°</td> </tr> <tr> <td>FINISH</td> <td>-</td> </tr> </table>	0 PLC	±	1 PLC	±	2 PLC	±	3 PLC	±	4 PLC	±	ANGLES	±1°	FINISH	-	<table border="1"> <tr> <td>SIZE</td> <td>CAGE CODE</td> <td>DRAWING NO</td> <td>RESTRICTED TO</td> </tr> <tr> <td>A3</td> <td>00779</td> <td>©=2066502</td> <td>-</td> </tr> </table>	SIZE	CAGE CODE	DRAWING NO	RESTRICTED TO	A3	00779	©=2066502	-
0 PLC	±																						
1 PLC	±																						
2 PLC	±																						
3 PLC	±																						
4 PLC	±																						
ANGLES	±1°																						
FINISH	-																						
SIZE	CAGE CODE	DRAWING NO	RESTRICTED TO																				
A3	00779	©=2066502	-																				
CUSTOMER DRAWING	SCALE 2:1	SHEET 1 OF 1	REV A1																				