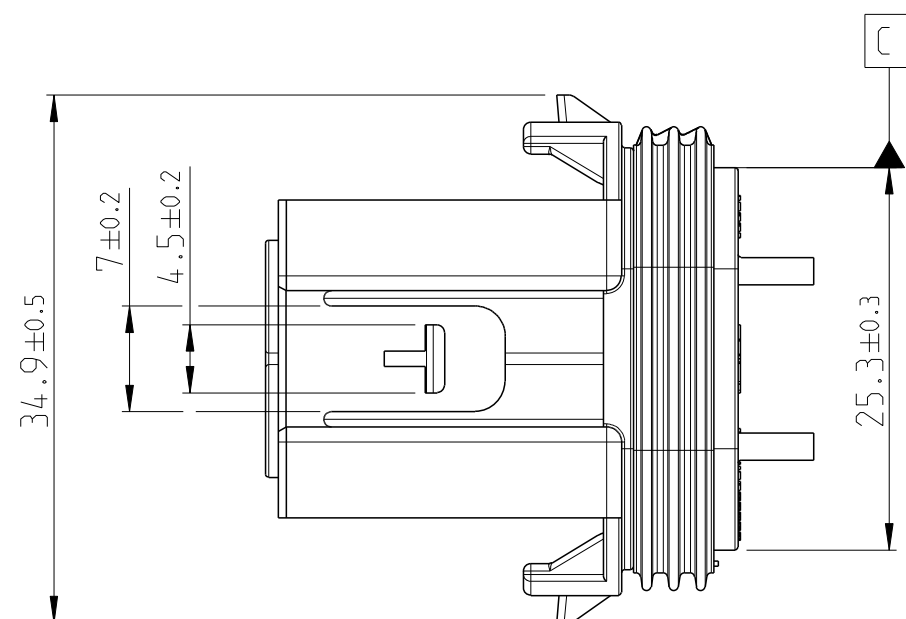
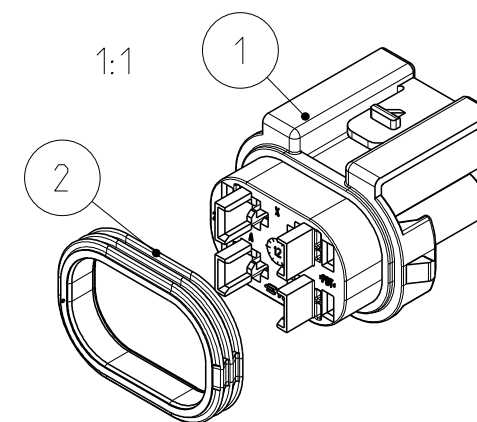
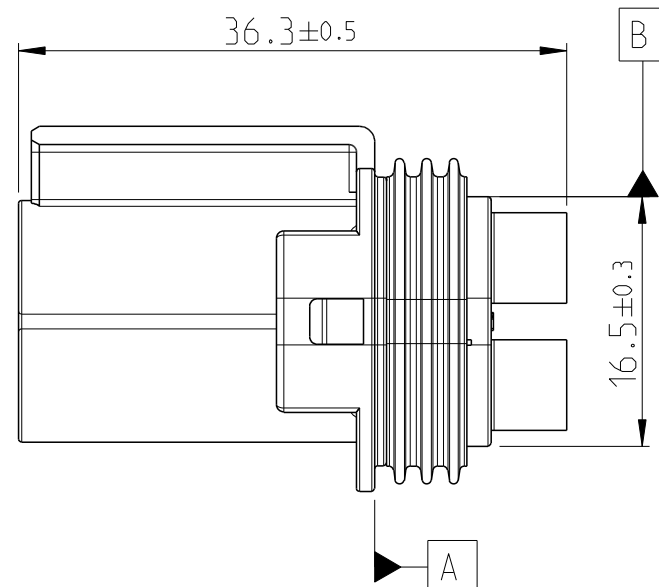
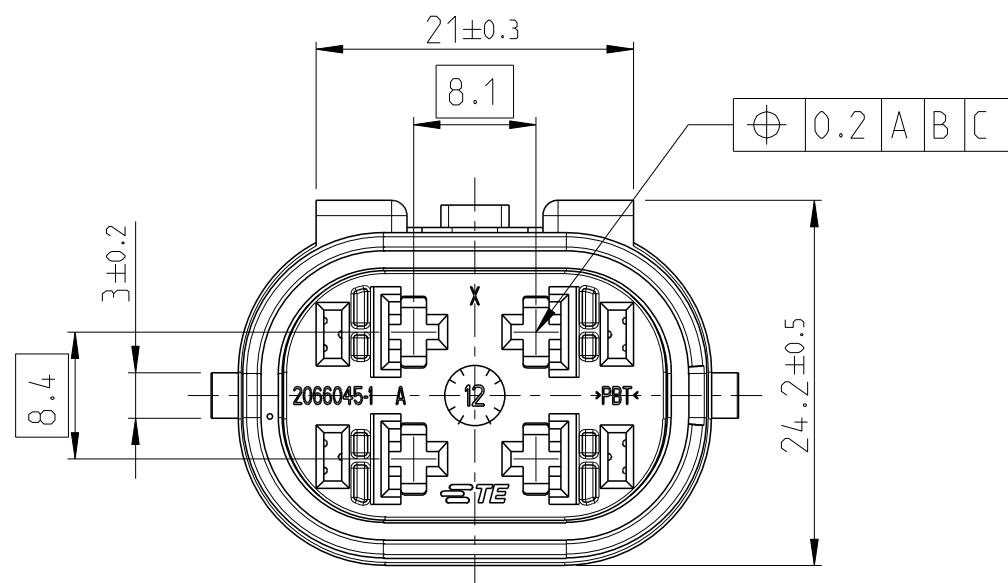


LOC IT DIST -

REVISIONS

P	LTR	DESCRIPTION	DATE	DWN	APVD
	A	NEW DRAWING RELEASE	10JUN2014	GG	RK



NOTES :-

- 1. NO SCORES, DUST ON SEAL RING ARE PERMISSIBLE
- 2. REFER CONTACT PN: 1-968882, 968855, 968857.
- 3. REFER WIRE SEAL PN: 828904, 828905

REV	ASSY NO.	REV	QTY	PART NO.	DESCRIPTION	MATERIAL	ITEM
A	2066046-1	D	1	1544767-1	2-WAY 8mm NGI INTERFACIAL SEAL	SILICON	2
		A	1	2066045-1	2POS MINIFUSE BOX HOUSING	PBT	1

THIS DRAWING IS A CONTROLLED DOCUMENT.		DWN RAMESH. S 14AUG2012	TE TE Connectivity															
DIMENSIONS: mm		CHK VINAY. S 14AUG2012																
TOLERANCES UNLESS OTHERWISE SPECIFIED: DIN 16901-140		APVD MADHU. J 14AUG2012	NAME 2 POS SEALED MINIFUSE BOX HOUSING ASSLY															
<table border="1"> <tr><td>0 PLC</td><td>±</td></tr> <tr><td>1 PLC</td><td>±</td></tr> <tr><td>2 PLC</td><td>±</td></tr> <tr><td>3 PLC</td><td>±</td></tr> <tr><td>4 PLC</td><td>±</td></tr> <tr><td>ANGLES</td><td>±°</td></tr> <tr><td>FINISH</td><td>-</td></tr> </table>		0 PLC	±	1 PLC	±	2 PLC	±	3 PLC	±	4 PLC	±	ANGLES	±°	FINISH	-	PRODUCT SPEC 108-72108	SIZE A3	
0 PLC	±																	
1 PLC	±																	
2 PLC	±																	
3 PLC	±																	
4 PLC	±																	
ANGLES	±°																	
FINISH	-																	
MATERIAL SEE TABLE		APPLICATION SPEC -	CAGE CODE 00779	DRAWING NO C=2066046														
		WEIGHT 7.84 gm	RESTRICTED TO -															
		CUSTOMER DRAWING	SCALE 2:1	SHEET 1 OF 1 REV A														