

B263000N2**

SERIES _____
 B26= FORM A
 POLES _____
 2= 2 POLE & 3= 3 POLE
 CURVED BASE DIAMETER _____
 000= FLAT
 MATERIAL AND HOUSING COLOUR _____
 N= PA6 BLACK, W= PA6 BLACK V0, G= PA6 GRAY

SCREW AND GASKET _____
 2= NBR FLAT GASKET & SCREWS
 4= SILICON FLAT GASKET & SCREWS
 G= NO GASKET, WITH SCREWS

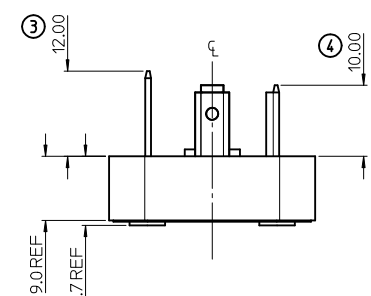
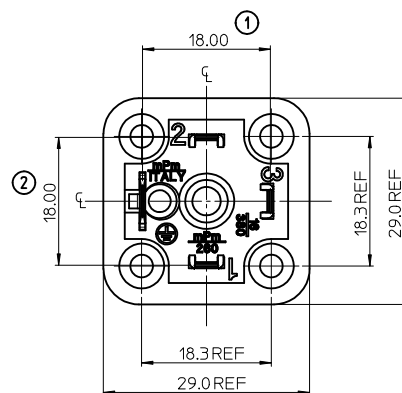
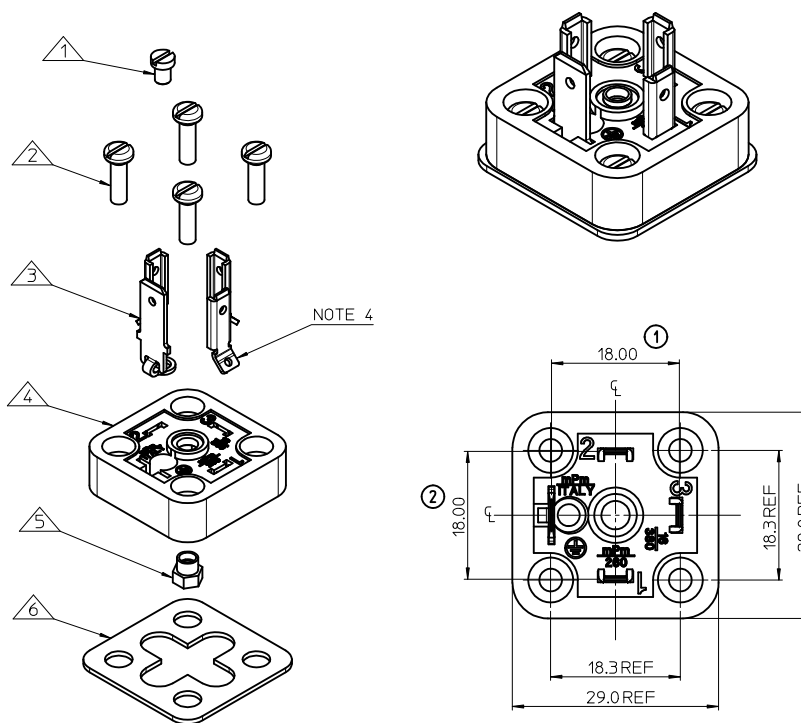
ADDITIONAL CODES _____
 SA= UL AGENCY APPROVAL

NOTES

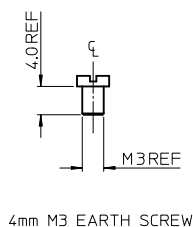
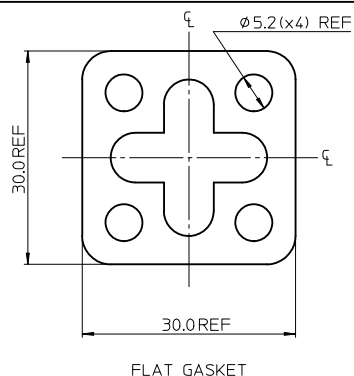
- PLEASE SEE TABLE FOR CURRENTLY CONFIGURED PART NUMBERS. FOR SPECIFIC PART NUMBERS PLEASE CONTACT SALES OR CONSULT THE INTELLIGENT PART NUMBERS IN THE TABLE ATTACHED.
- FOR PACKAGING SEE PACKAGING SPEC PK-121012-B26
- PRODUCT SPEC: SEE PS-121201-001
- TERMINALS BENT AFTER INSERTION. SEE TABLE FOR BEND ANGLE

LAST INSPECTION NUMBER 4

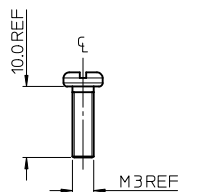
PART NO	MPPM NO	DESCRIPTION	TERMINAL BEND ANGLE
1210120071	B262000N2	TYPE A 2P BLACK, NBR FLAT GASKET & SCREWS	45
1210120073	B262000N4	TYPE A 2P BLACK, SILICON FLAT GASKET & SCREWS	45
1210120076	B263000N2	TYPE A 3P BLACK, NBR FLAT GASKET & SCREWS	45
1210120078	B263000N4	TYPE A 3P BLACK, SILICON FLAT GASKET & SCREWS	45
1210120080	B263000W2	TYPE A 3P BLACK V0, NBR FLAT GASKET & SCREWS	45
1210120150	B262000W2	TYPE A 2P BLACK V0, NBR FLAT GASKET & SCREWS	45
1210120151	B263000G2	TYPE A 3P GRAY, NBR FLAT GASKET & SCREWS	45
1210120163	B262000NG	TYPE A 2P BLACK, SCREWS, NO GASKET	45
1210120174	B262000W2SA	TYPE A 2P BLACK UL94-V0, NBR FLAT GASKET & SCREWS	45
1210120175	B263000W2SA	TYPE A 3P BLACK UL94-V0, NBR FLAT GASKET & SCREWS	45



ITEM	DESCRIPTION
1	EARTH SCREW
2	FIXING SCREWS
3	TERMINALS
4	HOUSING
5	INSERT
6	GASKET



4mm M3 EARTH SCREW



10mm M3 FIXING SCREW

ADDED P/NS EC NO: IPG2012-0522 DRAWN: DSHEA 2012/03/15 CHKD: S MCGREAVY 2012/03/20 APPR: EFOLAN 2012/03/30	QUALITY SYMBOLS ▽=0 ▽=0	GENERAL TOLERANCES (UNLESS SPECIFIED)		DIMENSION STYLE MM ONLY	SCALE 2:1	DESIGN UNITS METRIC	THIRD ANGLE PROJECTION		
		4 PLACES ± --- ± --- 3 PLACES ± --- ± --- 2 PLACES ± 0.10 ± --- 1 PLACE ± 0.20 ± --- ANGULAR ± 2 °	mm INCH ± --- ± --- ± --- ± --- ± --- ± --- ± --- ± ---	DRAWN BY DSHEA 2011/06/09	DATE 2011/06/09	TITLE B26 SERIES BASE			
REV B	DESCRIPTION	DRAFT WHERE APPLICABLE MUST REMAIN WITHIN DIMENSIONS		APPROVED BY EFOLAN 2011/06/30	DATE 2011/06/30	MATERIAL NO. SEE TABLE		DOCUMENT NO. SD-121012-002	SHEET NO. 1 OF 1
		THIS DRAWING CONTAINS INFORMATION THAT IS PROPRIETARY TO MOLEX INCORPORATED AND SHOULD NOT BE USED WITHOUT WRITTEN PERMISSION		MOLEX INCORPORATED		MOLEX INCORPORATED			