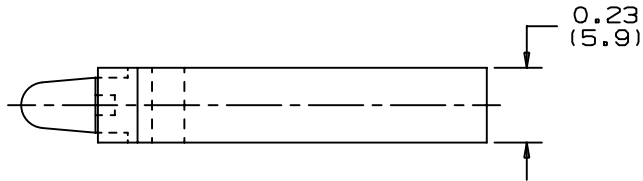
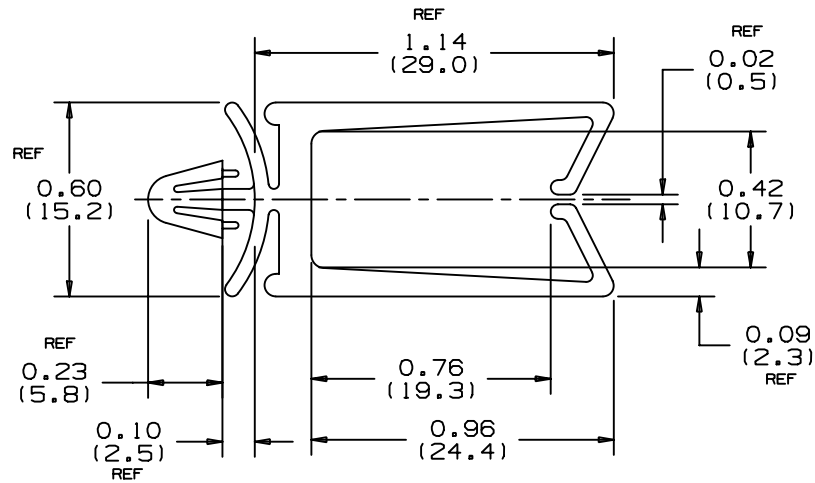


THIS COPY IS PROVIDED ON A RESTRICTED BASIS AND IS NOT TO BE USED IN ANY WAY DETRIMENTAL TO THE INTERESTS OF PANDUIT CORP.



PANDUIT PART NUMBER	MAXIMUM CABLE DIAMETER	PANEL DIMENSIONS		WEIGHT LBS./100 PCS. (g)
		THICKNESS	HOLE SIZE	
VWS4274	0.74 (18.8)	0.03/.08 (0.8/2.0)	.187/.192 (4.7/4.9)	0.25 (113)

NOTE:

- SEE CURRENT PRICE SHEET FOR PART NUMBER SUFFIX DESIGNATION FOR PACKAGE SIZE AND PART COLOR.

(DIMENSIONS IN PARENTHESES ARE METRIC)

CAD FILENAME/LAYERS

G00239JC\_VWS4274\_00

**PANDUIT**

CORP. TINLEY PARK, ILLINOIS

VERTICAL WIRE SADDLE  
VWS4274

UNLESS OTHERWISE SPECIFIED,  
DIMENSIONAL TOLERANCES ARE:  
(.X) ± N/A (.XXX) ± .010 (.25)  
(.XX) ± .02 (.5) ANGLES ± N/A

UNLESS OTHERWISE SPECIFIED,  
ALL DIMENSIONS ARE GIVEN  
IN INCHES, THIRD ANGLE PROJECTION.

DRAWN BY  
LGG

MAT'L:

SCALE  
2/1

DATE  
3/13/02

NYLON 6/6

DRAWING NO.  
GB0239JC

DWG  
SIZE  
A

REV	DATE	BY	CHK	DESCRIPTION	ECN	R	CUST	SUP
R	3-13-02	LGG		INITIAL RELEASE, REPLACED G-00846 UPDATED WITH REF TO DIMS.	GB0239JC	R		