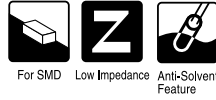


# ALUMINUM ELECTROLYTIC CAPACITORS

**CD** Chip Type, Low Impedance series



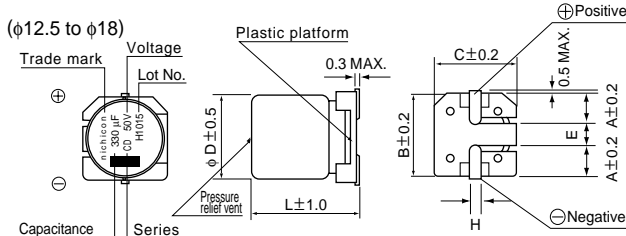
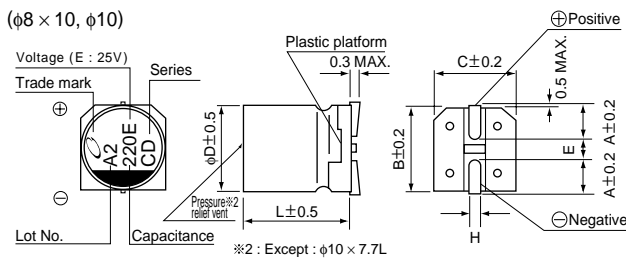
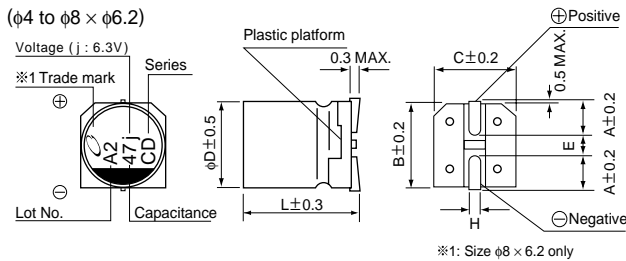
- Chip type, low impedance temperature range up to +105°C.
- Designed for surface mounting on high density PC board.
- Applicable to automatic mounting machine fed with carrier tape.
- Compliant to the RoHS directive (2002/95/EC).



## Specifications

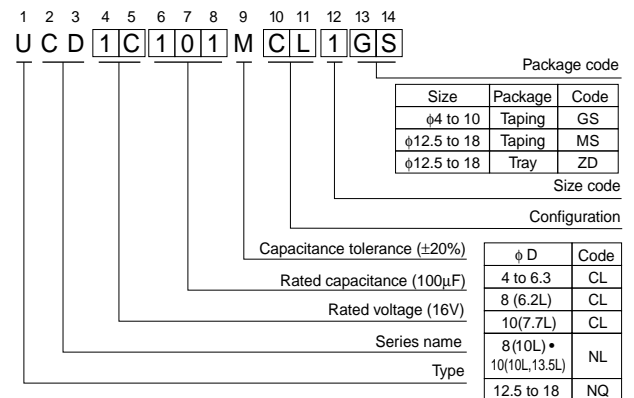
Item	Performance Characteristics																																						
Category Temperature Range	- 55 to +105°C																																						
Rated Voltage Range	6.3 to 100V																																						
Rated Capacitance Range	1 to 3300μF																																						
Capacitance Tolerance	± 20% at 120Hz, 20°C																																						
Leakage Current	After 2 minutes' application of rated voltage, leakage current is not more than 0.01 CV or 3 (μA), whichever is greater.																																						
Tangent of loss angle (tan δ)	Measurement frequency : 120Hz at 20°C																																						
	<table border="1"> <tr> <td>Rated voltage (V)</td> <td>6.3</td> <td>10</td> <td>16</td> <td>25</td> <td>35</td> <td>50</td> <td>63</td> <td>80</td> <td>100</td> </tr> <tr> <td>tan δ (MAX.)</td> <td>0.26</td> <td>0.19</td> <td>0.16</td> <td>0.14</td> <td>0.12</td> <td>0.10</td> <td>0.08</td> <td>0.08</td> <td>0.07</td> </tr> </table> <p>For capacitance of more than 1000μF, add 0.02 for every increase of 1000μF.</p>	Rated voltage (V)	6.3	10	16	25	35	50	63	80	100	tan δ (MAX.)	0.26	0.19	0.16	0.14	0.12	0.10	0.08	0.08	0.07																		
Rated voltage (V)	6.3	10	16	25	35	50	63	80	100																														
tan δ (MAX.)	0.26	0.19	0.16	0.14	0.12	0.10	0.08	0.08	0.07																														
Stability at Low Temperature	Measurement frequency : 120Hz																																						
	<table border="1"> <tr> <td>Rated voltage (V)</td> <td>6.3</td> <td>10</td> <td>16</td> <td>25</td> <td>35</td> <td>50</td> <td>63</td> <td>80</td> <td>100</td> </tr> <tr> <td rowspan="3">Impedance ratio ZT / Z20 (MAX.)</td> <td>Z—25°C / Z+20°C</td> <td>2</td> <td>2</td> <td>2</td> <td>2</td> <td>2</td> <td>2</td> <td>2</td> <td>2</td> </tr> <tr> <td>Z—40°C / Z+20°C</td> <td>3</td> <td>3</td> <td>3</td> <td>3</td> <td>3</td> <td>3</td> <td>3</td> <td>3</td> </tr> <tr> <td>Z—55°C / Z+20°C</td> <td>4</td> <td>4</td> <td>4</td> <td>3</td> <td>3</td> <td>3</td> <td>3</td> <td>3</td> </tr> </table>	Rated voltage (V)	6.3	10	16	25	35	50	63	80	100	Impedance ratio ZT / Z20 (MAX.)	Z—25°C / Z+20°C	2	2	2	2	2	2	2	2	Z—40°C / Z+20°C	3	3	3	3	3	3	3	3	Z—55°C / Z+20°C	4	4	4	3	3	3	3	3
	Rated voltage (V)	6.3	10	16	25	35	50	63	80	100																													
Impedance ratio ZT / Z20 (MAX.)	Z—25°C / Z+20°C	2	2	2	2	2	2	2	2																														
	Z—40°C / Z+20°C	3	3	3	3	3	3	3	3																														
	Z—55°C / Z+20°C	4	4	4	3	3	3	3	3																														
Endurance	<p>The specifications listed at right shall be met when the capacitors are restored to 20°C after the rated voltage is applied for 5000 hours (2000 hours for L &lt; 10 mm: 50V or less, and for L ≤ 10mm: 63V or more) at 105°C.</p> <table border="1"> <tr> <td>Capacitance Change</td> <td>Within ± 30% of the initial capacitance value</td> </tr> <tr> <td>tan δ</td> <td>200% or less than the initial specified value 300% or less than the initial specified value for 63V or more</td> </tr> <tr> <td>Leakage current</td> <td>Less than or equal to the initial specified value</td> </tr> </table>	Capacitance Change	Within ± 30% of the initial capacitance value	tan δ	200% or less than the initial specified value 300% or less than the initial specified value for 63V or more	Leakage current	Less than or equal to the initial specified value																																
Capacitance Change	Within ± 30% of the initial capacitance value																																						
tan δ	200% or less than the initial specified value 300% or less than the initial specified value for 63V or more																																						
Leakage current	Less than or equal to the initial specified value																																						
Shelf Life	After storing the capacitors under no load at 105°C for 1000 hours and then performing voltage treatment based on JIS C 5101-4 clause 4.1 at 20°C, they shall meet the specified values for the endurance characteristics listed above.																																						
Resistance to soldering heat	<p>The capacitors are kept on a hot plate for 30 seconds, which is maintained at 250°C. The capacitors shall meet the characteristic requirements listed at right when they are removed from the plate and restored to 20°C.</p> <table border="1"> <tr> <td>Capacitance Change</td> <td>Within ± 10% of the initial capacitance value</td> </tr> <tr> <td>tan δ</td> <td>Less than or equal to the initial specified value</td> </tr> <tr> <td>Leakage current</td> <td>Less than or equal to the initial specified value</td> </tr> </table>	Capacitance Change	Within ± 10% of the initial capacitance value	tan δ	Less than or equal to the initial specified value	Leakage current	Less than or equal to the initial specified value																																
Capacitance Change	Within ± 10% of the initial capacitance value																																						
tan δ	Less than or equal to the initial specified value																																						
Leakage current	Less than or equal to the initial specified value																																						
Marking																																							

## Chip Type



• Dimension table in next page.

## Type numbering system (Example : 16V 100μF)



φD×L	4×5.8	5×5.8	6.3×5.8	6.3×7.7	8×6.2	8×10	10×7.7	10×10
A	1.8	2.1	2.4	2.4	3.3	2.9	3.2	3.2
B	4.3	5.3	6.6	6.6	8.3	8.3	10.3	10.3
C	4.3	5.3	6.6	6.6	8.3	8.3	10.3	10.3
E	1.0	1.3	2.2	2.2	2.3	3.1	4.5	4.5
L	5.8	5.8	5.8	7.7	6.2	10	7.7	10
H	0.5 to 0.8	0.5 to 0.8	0.5 to 0.8	0.5 to 0.8	0.5 to 0.8	0.8 to 1.1	0.8 to 1.1	0.8 to 1.1

φD×L	10×13.5	12.5×13.5	16×16.5	18×16.5
A	3.2	4.8	5.4	6.4
B	10.3	13.6	17.1	19.1
C	10.3	13.6	17.1	19.1
E	4.5	4.0	6.3	6.3
L	13.5	13.5	16.5	16.5
H	0.8 to 1.1	1.0 to 1.4	1.0 to 1.4	1.0 to 1.4

Voltage	V	6.3	10	16	25	35	50	63	80	100
Code	j	A	C	E	V	H	J	K	2A	

## CD series

### ■ Dimensions

V Cap. (μF)	Code	6.3			10			16			25			35			50			
		0J			1A			1C			1E			1V			1H			
1	010																4 × 5.8	2.70	60	
2.2	2R2																4 × 5.8	2.70	60	
3.3	3R3																4 × 5.8	2.70	60	
4.7	4R7														4 × 5.8	1.35	90	4 × 5.8	2.70	60
10	100							4 × 5.8	1.35	90	4 × 5.8	1.35	90	● 4 × 5.8	1.35	90	● 5 × 5.8	1.50	90	
15	150							4 × 5.8	1.35	90	5 × 5.8	0.70	160	5 × 5.8	0.70	160	6.3 × 5.8	0.86	170	
22	220	4 × 5.8	1.35	90	4 × 5.8	1.35	90	● 4 × 5.8	1.35	90	5 × 5.8	0.70	160	5 × 5.8	0.70	160	6.3 × 5.8	0.86	170	
27	270	4 × 5.8	1.35	90	5 × 5.8	0.70	160	5 × 5.8	0.70	160	6.3 × 5.8	0.36	240							
33	330	5 × 5.8	0.70	160	● 4 × 5.8	1.35	90	6.3 × 5.8	0.36	240	● 5 × 5.8	0.70	160	6.3 × 5.8	0.36	240	6.3 × 5.8	0.36	240	
47	470	● 4 × 5.8	1.35	90	6.3 × 5.8	0.36	240	● 5 × 5.8	0.70	160	6.3 × 5.8	0.36	240	6.3 × 5.8	0.36	240	6.3 × 5.8	0.36	240	
56	560	5 × 5.8	0.70	160	6.3 × 5.8	0.36	240	6.3 × 5.8	0.36	240	6.3 × 5.8	0.36	240	6.3 × 5.8	0.36	240				
68	680	6.3 × 5.8	0.36	240	6.3 × 5.8	0.36	240	6.3 × 5.8	0.36	240	6.3 × 5.8	0.36	240	6.3 × 5.8	0.36	240	6.3 × 7.7	0.32	290	
100	101	● 5 × 5.8	0.70	160	6.3 × 5.8	0.36	240	6.3 × 5.8	0.36	240	6.3 × 5.8	0.36	240	6.3 × 7.7	0.32	290	● 6.3 × 7.7	0.32	290	
150	151	6.3 × 5.8	0.36	240	6.3 × 5.8	0.36	240	6.3 × 7.7	0.32	290	8 × 10	0.16	600	8 × 10	0.16	600	8 × 10	0.16	600	
220	221	6.3 × 5.8	0.36	240	6.3 × 7.7	0.32	290	● 8 × 6.2	0.26	300	6.3 × 7.7	0.32	290	8 × 10	0.16	600	8 × 10	0.16	600	
330	331	6.3 × 7.7	0.32	290	8 × 10	0.16	600	● 10 × 7.7	0.18	600	8 × 10	0.16	600	8 × 10	0.16	600	10 × 10	0.08	850	
390	391	● 8 × 6.2	0.26	300	● 10 × 7.7	0.18	600	● 10 × 7.7	0.18	600	8 × 10	0.16	600	10 × 10	0.08	850	● 10 × 13.5	0.14	800	
470	471	8 × 10	0.16	600	8 × 10	0.16	600	8 × 10	0.16	600	10 × 10	0.08	850	● 10 × 13.5	0.08	950	12.5 × 13.5	0.12	900	
680	681	● 10 × 7.7	0.18	600	10 × 10	0.08	850	10 × 10	0.08	850	10 × 13.5	0.08	950	12.5 × 13.5	0.08	1100	16 × 16.5	0.073	1610	
1000	102	8 × 10	0.16	600	10 × 10	0.08	850	10 × 13.5	0.08	950	12.5 × 13.5	0.08	1100	16 × 16.5	0.035	1800				
1500	152	10 × 10	0.08	850	10 × 13.5	0.08	950	12.5 × 13.5	0.08	1100										
2200	222	10 × 13.5	0.08	950	12.5 × 13.5	0.08	1100				16 × 16.5	0.035	1800							
3300	332	12.5 × 13.5	0.08	1100																

V Cap. (μF)	Code	63			80			100		
		1J			1K			2A		
3.3	3R3				5 × 5.8	5.00	25			
4.7	4R7	5 × 5.8	3.00	50	6.3 × 5.8	3.00	40			
10	100	6.3 × 5.8	1.50	80	6.3 × 7.7	2.40	60			
22	220	● 8 × 6.2	1.20	120	● 8 × 6.2	2.40	60	8 × 10	1.30	130
33	330	8 × 10	0.65	250	8 × 10	1.30	130	10 × 10	0.70	200
47	470	8 × 10	0.65	250	10 × 10	0.70	200	12.5 × 13.5	0.32	500
68	680	10 × 10	0.35	400	12.5 × 13.5	0.32	500	12.5 × 13.5	0.32	500
100	101	10 × 10	0.35	400	12.5 × 13.5	0.32	500	16 × 16.5	0.17	793
150	151	12.5 × 13.5	0.16	800	12.5 × 13.5	0.32	500	16 × 16.5	0.17	793
220	221	12.5 × 13.5	0.16	800				18 × 16.5	0.15	917
330	331				16 × 16.5	0.17	793	18 × 16.5	0.15	917
470	471	16 × 16.5	0.082	1410	18 × 16.5	0.15	917	Case size		
680	681	18 × 16.5	0.08	1690				φD × L	Impedance	Rated ripple

Max. Impedance (Ω) at 20°C 100kHz, Rated ripple current (mA rms) at 105°C 100kHz

●: In this case, [ ] will be put at 12th digit of type numbering system.

#### ● Frequency coefficient of rated ripple current

Frequency	50Hz	120Hz	300Hz	1kHz	10kHz or more
Coefficient	0.35	0.50	0.64	0.83	1.00

- Taping specifications are given in page 23.
- Recommended land size, soldering by reflow are given in page 18, 19.
- Please refer to page 3 for the minimum order quantity.