

# ME 17,5 UTG/FE GN


Order No.: 2906937

Illustration shows a fully mounted version of the electronic housing



<http://eshop.phoenixcontact.de/phoenix/treeViewClick.do?UID=2906937>

Lower part of housing, housing closed, fully assembled, with integrated functional earth ground contact, and metal foot catch

Commercial data	
GTIN (EAN)	 4 017918 126551
sales group	F050
Pack	10 pcs.
Customs tariff	85472000
Catalog page information	Page 600 (CC-2011)

#### Product notes

WEEE/RoHS-compliant since:  
04/01/2005



<http://www.download.phoenixcontact.com>  
Please note that the data given here has been taken from the online catalog. For comprehensive information and data, please refer to the user documentation. The General Terms and Conditions of Use apply to Internet downloads.

## Technical data

General	
Housing type	Component housing
Housing material	Polyamide
Color	green

### Dimensions / positions

Length	99 mm
Width	17.5 mm
Number of positions	12

### Technical data

Ambient temperature (operation)	-40 °C ... 105 °C
Inflammability class acc. to UL 94	V0
Power dissipation at 20°C in the horizontal mounting position	4.9 W 8.9 W

### Accessories

Item	Designation	Description
<b>Assembly</b>		
2908265	ME 35 UTM	Intermediate element for modular extension of the volume of the housing in the pitch. The open intermediate element is 17.5 mm wide.
2908275	ME 35 UTMG	Intermediate element for modular extension of the volume of the housing in the pitch. The closed intermediate element is 17.5 mm wide.
2908275	ME 35 UTMG	Intermediate element for modular extension of the volume of the housing in the pitch. The closed intermediate element is 17.5 mm wide.
2906885	ME B-17,5 MKDSO GN	Filler plugs, for unoccupied terminal points
2906869	ME B-17,5 MSTBO GN	Filler plugs, for unoccupied terminal points
2906911	ME LPZS	PCB stop, for soldering onto PCB
2906911	ME LPZS	PCB stop, for soldering onto PCB
2908281	ME MF 17,5	Metal foot catch, for intermediate elements.
2908281	ME MF 17,5	Metal foot catch, for intermediate elements.
2853899	ME-SAS	Shield connection clamp for printed circuit terminal block

### General

2906908	ME LP	PCB, for custom fitting, with contact to DIN rail (EN 60715)
---------	-------	--

### Plug/Adapter

1734634	CP-MSTB	Keying profile, is inserted into the slot on the plug or inverted header, red insulating material
1734401	CR-MSTB	Coding section, inserted into the recess in the header or the inverted plug, red insulating material
2908294	ME FE-CONTACT	Functional earth ground contact, for intermediate elements.

2908294	ME FE-CONTACT	Functional earth ground contact, for intermediate elements.
---------	---------------	---

**Additional products**

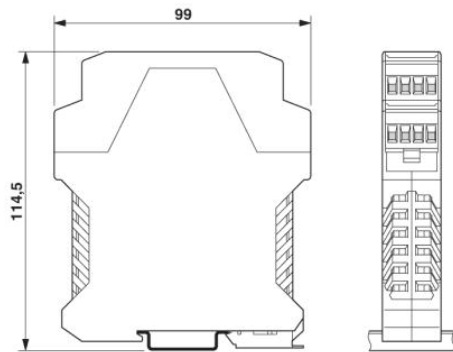
Item	Designation	Description
------	-------------	-------------

**Assembly**

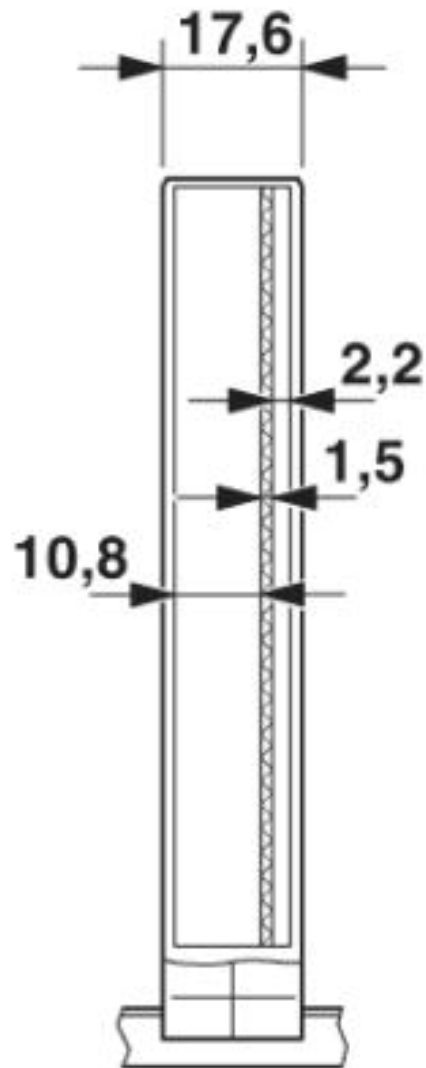
2906843	ME 17,5 OT-MKDSO GN	Housing upper part, for printed circuit terminal block connection
2907460	ME 17,5 OT-MKDSO SET	Housing upper part, complete with PCB termination blocks for full equipping. 12-pos., housing width: 17.5 mm
2906827	ME 17,5 OT-MSTBO GN	Upper part of housing, for COMBICON connection, double-level
2907431	ME 17,5 OT-MSTBO SET	Housing upper part, complete with COMBICON headers and screw connectors for full mounting of components. 12-pos., housing width: 17.5 mm

## Diagrams/Drawings

### Dimensioned drawing



Dimensions of the electronic housing ME...  
with double-level upper part



Inner housing dimensions, electronic  
housing ME 22.5 ...



**Address**

PHOENIX CONTACT Inc., USA  
586 Fulling Mill Road  
Middletown, PA 17057, USA  
Phone (800) 888-7388  
Fax (717) 944-1625  
<http://www.phoenixcon.com>



© 2011 Phoenix Contact  
Technical modifications reserved;